

JURAN[®]
EVOLUTIONAL MOTOR SPORTS GEAR *Racing*

WHAT WE PURSUE IS REAL SPORTS PERFORMANCE
FEEDBACK FOR RACING TECHNOLOGY IS A TRUE SENSE OF FEELING
THAT IS CONVEYED OVER YOUR ENTIRE BODY
BE FASTER AND MORE DYNAMIC
"JURAN" A PRODUCT BROUGHT ABOUT BY ENDLESS INQUIRY

TANIDA
MOTOR SPORTS

BRAKE PADS

MATCHING DATA

www.tanida-web.co.jp/

Since 1968 Long time supporter of motor sports.

TANIDA co., Ltd.

2-3-17 Tsurumai, Showa-ku, Nagoya TEL: (052)871-3741

manufactured by **Winmax**
MADE IN JAPAN

Brake pad compatibility table

TOYOTA ▶▶▶

Isis					
Year	Model		Front No.	Rear No.	Shoe No.
04.09-	ANM10G,10W,15G,15W		624	442	
	ZNM10G,10W		624		S2371

Avalon					
Year	Model		Front No.	Rear No.	Shoe No.
95.03-97.09	MCX10		224	284	
97.09-00.02	MCX10		376	284	

Avensis · Avensis Wagon					
Year	Model		Front No.	Rear No.	Shoe No.
03.09-	AZT250,250W,251,251W,255,255W		630	633	

ALLION · PREMIO					
Year	Model		Front No.	Rear No.	Shoe No.
01.12-07.05	ZNT240,ZZT240		427		S2342
	AZT240,ZZT245		426		S2358
07.05-	NZT260		643 * 2		S2383
	ZRT260		676		S2383
	ZRT261,265		676		S2389
* 2 Option 676 is set in some car manufacturers to use					

Aristo					
Year	Model		Front No.	Rear No.	Shoe No.
91.10-93.08	JZS147	V	266	281	
93.08-97.08	JZS147	V	282	281	
91.10-97.08	JZS147	Q	224	281	
	UZS143		282	281	
97.08-05.01	JZS160,161		282	375	

Altezza Gita					
Year	Model		Front No.	Rear No.	Shoe No.
98.10-01.05	GXE10	AT	224	375	
		MT Except 17-inch car	224	375	
	MT 17inch		282	375	
	SXE10	AT Except 17-inch car	224	375	
AT 17inch		282	375		
MT		282	375		
01.05-05.07	SXE10	AT 17inch MT	282	375	
		AT Except 17-inch car	440	375	
	GXE10		440	375	
	MT 17inch AT Discharge headlight-equipped vehicle		282	375	
GXE10W,15W,JCE10W,15W		282	375		

Alphard G/V · Hybrid					
Year	Model		Front No.	Rear No.	Shoe No.
02.05-08.04	ANH10W,15W,MNH10W,15W		613	442	
03.07-08.04	ATH10W		613	442	
08.05-	ANH20W,25W,GGH20W,25W		654	633	

1983 1984 1985 1986 1987 1988 1989 1990 1991 1992 1993 1994 1995 1996 1997 1998 1999 2000 2001 2002 2003 2004 2005 2006 2007 2008 2009 2010
S.58 S.59 S.60 S.61 S.62 S.63 H.01 H.02 H.03 H.04 H.05 H.06 H.07 H.08 H.09 H.10 H.11 H.12 H.13 H.14 H.15 H.16 H.17 H.18 H.19 H.20 H.21 H.22

Alex					
Year	Model		Front No.	Rear No.	Shoe No.
01.01-	ZZE123		426	566	
	NZE121,124,ZZE122,124		427		S2342

Ist					
Year	Model		Front No.	Rear No.	Shoe No.
02.05-07.07	NCP60,61,65		427	566	S2342
07.07-	NCP110,ZSP110		676		S2389 * 1
	NCP115		676	645	
* 1 Developing					

Ipsum					
Year	Model		Front No.	Rear No.	Shoe No.
96.05-	SXM10,15,CXM10		279		S2339
01.05-	ACM21,26		592	442	

Wish					
Year	Model		Front No.	Rear No.	Shoe No.
03.01-	ANE10G,11W,ZNE10G,14G		624	594	S2358
09.03-	ZGE20(X)		676		S2389
	ZGE20(XS),ZGE21,22,25		676	594	

Windom					
Year	Model		Front No.	Rear No.	Shoe No.
91.10-96.08	VCV10,11		224	168	
96.08-99.08	MCV20,21		376	168	
99.08-01.07	MCV20,21		376	438	
01.07-06.03	MCV30		613	594	

Vitz					
Year	Model		Front No.	Rear No.	Shoe No.
99.01-	NCP10 U		400		S2350
	NCP10 RS		427	566	
	NCP13		427	566	
	NCP15		400		S2342
	SCP10,13		400		S2350
05.01-	KCP90,NCP95,SCP90		643		S2383
	NCP91 Except RS		643		S2383
	RS		644	645	

Verossa					
Year	Model		Front No.	Rear No.	Shoe No.
01.06-04.04	GX110		440	375	
	GX115		224	375	
	JZX110 20,25,V25		440	375	
	JZX110 VR25		282	375	

1983 1984 1985 1986 1987 1988 1989 1990 1991 1992 1993 1994 1995 1996 1997 1998 1999 2000 2001 2002 2003 2004 2005 2006 2007 2008 2009 2010
S.58 S.59 S.60 S.61 S.62 S.63 H.01 H.02 H.03 H.04 H.05 H.06 H.07 H.08 H.09 H.10 H.11 H.12 H.13 H.14 H.15 H.16 H.17 H.18 H.19 H.20 H.21 H.22

Voxy - Noa					
Year	Model	Front No.	Rear No.	Shoe No.	
96.10-07.08	CR40G,SR40G	369		S2339	
	CR50G	-98.12	401	S2335A	
		98.12-	369	S2335A	
	SR50G	98.12- 7seater-8seater	369		S2335A
		Excluding the above	401		S2335A
01.11-07.06	AZR60G,65G	592		S2371	
07.06-	ZRR70G,70W,75G,75W	676	442	S2371	

Voltz				
Year	Model	Front No.	Rear No.	Shoe No.
02.08-04.02	ZZE136	592		
	ZZE137	592	566	
	ZZE138	592		S2358

Estima				
Year	Model	Front No.	Rear No.	Shoe No.
90.05-96.08	TCR11W,21W	277	276	
	TCR10W,20W	327	276	
	TCR10W,20W	277	276	
96.08-99.12	TCR10W,11W,20W,21W	369	276	
99.12-03.04	MCR30W,40W,ACR30W,40W	441	442	
03.04-06.01	MCR30W,40W,ACR30W,40W	613	442	
06.01-	ACR50W,55W,GSR50W,55W	654	633	

Estima Hybrid				
Year	Model	Front No.	Rear No.	Shoe No.
01.05-03.08	AHR10W	441	442	
03.08-06.01	AHR10W	613	442	
06.06-	AHR20W	654	633	

Estima Lucida, Estima Emina				
Year	Model	Front No.	Rear No.	Shoe No.
92.01-94.05	CXR10,20,TCR10,20	277	276	S2252
	CXR11,21,TCR11,21	277	276	S2282A
94.05-95.01	CXR10,20,TCR10,20	277	276	S2335A
	CXR11,21,TCR11,21	277	276	S2335
95.01-96.08	CXR10,20,TCR10,20	277	276	S2335A
	CXR11,21,TCR11,21	277	276	S2335
	CXR10,20,TCR10,20	327	276	S2335A
	CXR11,21,TCR11,21	327	276	S2335
96.08-99.12	CXR10,11,20,21,TCR10,11,20,21	369	276	

Opa				
Year	Model	Front No.	Rear No.	Shoe No.
86.01-90.03	WFJR31,WHJR31	123		S1170
00.04-	ZCT10	427 *1	438	S2342
	ZCT15	426	438	S2358
00.04-02.05	ACT10	a	427	438
	ACT10	i	426	438
02.05-05.04	ACT10	426	438	S2358
	*1 02.05- vehicle rear disc specifications	426		

1983 1984 1985 1986 1987 1988 1989 1990 1991 1992 1993 1994 1995 1996 1997 1998 1999 2000 2001 2002 2003 2004 2005 2006 2007 2008 2009 2010
S.58 S.59 S.60 S.61 S.62 S.63 H.01 H.02 H.03 H.04 H.05 H.06 H.07 H.08 H.09 H.10 H.11 H.12 H.13 H.14 H.15 H.16 H.17 H.18 H.19 H.20 H.21 H.22

Auris				
Year	Model	Front No.	Rear No.	Shoe No.
06.10-	NZE151H,154H,ZRE152H,154H	676	645	

Origin				
Year	Model	Front No.	Rear No.	Shoe No.
00.07-01.04	JCG17	224	375	

Gaia				
Year	Model	Front No.	Rear No.	Shoe No.
98.05-01.04	SXM10G,15G,CXM10G	279		S2339
01.04-04.09	ACM10,CXM10,SXM15	376		S2339

Camry				
Year	Model	Front No.	Rear No.	Shoe No.
80.01-82.03	TA41,46	044		S2232
80.08-82.03	TA57,RA55,56	055	079	
82.03-86.08	SV10,11,12,CV10,11	076		S2285
86.08-90.07	SV20,22,CV20	076		S2285
	SV21,25,VZV20	189	168	S2285
90.07-94.06	CV30,SV30,SV35	275	168	S2285
	SV32,SV33	Lumier,ZV,ZX	275	168
	SV32,SV33	Prominent,GT	362	168
	VZV30,31,32,33		362	168
94.06-	CV40,43,SV40,41,42,43	279	168	S2285
01.09-06.01	ACV30	624	594	
	ACV35	624	168	
06.01-	ACV40	668	673	
	ACV45	668	594	

Camry Gracia				
Year	Model	Front No.	Rear No.	Shoe No.
96.12-99.08	SXV20	279	168	
	MCV21,MCV25,SXV25	376	168	
99.08-01.09	SXV20	279	438	
	MCV21	376	438	
	MCV25,SXV25	376	168	

Carina				
Year	Model	Front No.	Rear No.	Shoe No.
74.01-77.07	TA10,12,14,15,16,17,18,22,27,30,31	044		S2232
	TA32(DX)	044		S2232
	RA10,11,14,15,17,30,31,32	DX except No monitoring	044	
	RA10,11,14,15,17,30,31,32	DX except Mounting Car Monitor	112	
77.08-81.08	TA40,RA40	044	051	S2232
81.09-88.04	AA60,CA60,67V,KA67V,SA60,TA67V	067		S2232
	TA61,63,RA63, AA63	057	079	S2284
84.05-88.05	AT150,151,160, ST150,162,CT150	076	168	S2285
88.05-92.11	AT170,170G,171,CT170,170G,176G,ET176V,ST170,170G	076		S2285
	AT171(G Limited),AT175(4WD)	189	168	
92.08-96.08	AT190(SGI),AT191(SGI),AT192(SG)	076	168	S2285
	AT190(SXI),AT191(SGI except),AT192(SX)	279	168	S2285
	CT190,195,ST190,195	279	168	S2285
96.08-01.12	AT211,AT212,CT210,211	279 *1		S2311
	CT215,216,ST215	279 *1		S2338
96.08-98.08	AT210	279	168	
98.08-01.12	AT210	265	168	
	*1 97.11- AT212 Only 076 vehicles equipped with 13-inch	076		

1983 1984 1985 1986 1987 1988 1989 1990 1991 1992 1993 1994 1995 1996 1997 1998 1999 2000 2001 2002 2003 2004 2005 2006 2007 2008 2009 2010
S.58 S.59 S.60 S.61 S.62 S.63 H.01 H.02 H.03 H.04 H.05 H.06 H.07 H.08 H.09 H.10 H.11 H.12 H.13 H.14 H.15 H.16 H.17 H.18 H.19 H.20 H.21 H.22

Carina Van				
Year	Model	Front No.	Rear No.	Shoe No.
81.09-88.05	TA67V,CA67V,KA67V	067		S2232
88.05-92.11	ET176V, CT176V	076		S2285
92.11-	CT196V,197V,ET196V	076		S2285
92.11-99.08	CT198V,199V,ST198V	076		S2313
99.08-	CT198V,199V,ST198V	076		S2203

Carina Wagon				
Year	Model	Front No.	Rear No.	Shoe No.
82.02-88.05	SA60	067		S2232
88.05-92.11	ST170G,CT170G,AT170G	076		S2285
92.11-	ST190G,CT190G	279		S2285
	AT191G	279		S2311
	ST191G	279	168	S2311
	ST195G	279	168	S2338
97.08-	AT211,ST210(E,G)	279		S2311
	CT216	279		S2338
	ST215	279		S2338
	ST210,215	265	168	
02.09-	AZT241W,246W,ZZT241W	426	438	
	ST246W	613	594	

Carina ED					
Year	Model	Front No.	Rear No.	Shoe No.	
85.08-87.08	ST160,ST162	076	168	S2285	
87.08-89.08	ST160	076	168	S2285	
	ST162	076	168	S2285	
	ST162	189	168	S2285	
87.08-88.07	ST163	076	168	S2285	
88.07-89.07	ST163	232	168	S2285	
89.07-89.08	ST163	076	168	S2285	
89.09-91.08	ST180,ST181	076		S2285	
91.08-93.09	ST180,ST181	189		S2285	
89.09-93.09	ST182,ST183	189	168		
93.09-98.04	ST200,201,203	279	168	S2285	
	ST202	279	168	S2285	
		S			
		G - GT MacPherson Strut	224	168	S2285
		G - GT Super Strut	343	168	S2285
	ST205	343	168	S2285	

Caldina				
Year	Model	Front No.	Rear No.	Shoe No.
92.11-02.06	ST190G,CT190G	279		S2285
	AT191G	279		S2311
	ST191G	279	168	S2311
	ST195G	279	168	S2338
97.08-02.09	AT211,ST210(E,G)	279		S2311
	CT216	279		S2338
	ST215	279		S2338
	ST210,215	265	168	
02.09-07.06	AZT241W,246W,ZZT241W	426	438	
	ST246W	613	594	

Caldina Van				
Year	Model	Front No.	Rear No.	Shoe No.
81.09-88.05	TA67V,CA67V,KA67V	067		S2232
88.05-92.11	ET176V, CT176V	076		S2285
92.11-	CT196V,197V,ET196V	076		S2285
92.11-99.08	CT198V,199V,ST198V	076		S2313
99.08-	CT198V,199V,ST198V	076		S2203

1983 1984 1985 1986 1987 1988 1989 1990 1991 1992 1993 1994 1995 1996 1997 1998 1999 2000 2001 2002 2003 2004 2005 2006 2007 2008 2009 2010
S.58 S.59 S.60 S.61 S.62 S.63 H.01 H.02 H.03 H.04 H.05 H.06 H.07 H.08 H.09 H.10 H.11 H.12 H.13 H.14 H.15 H.16 H.17 H.18 H.19 H.20 H.21 H.22

Curren					
Year	Model	Front No.	Rear No.	Shoe No.	
94.02-98.07	ST206	3S-FE	279	168	S2285
	ST206	3S-GE MacPherson Strut	224	168	S2285
	ST206	3S-GE Super Strut	343	168	S2285
	ST207,ST208		279	168	S2285

Corolla Axio				
Year	Model	Front No.	Rear No.	Shoe No.
69.09-74.03	TE20,21,25,27	044		S2232
74.04-79.02	KE	021		S2203
	TE	044		S2232
79.03-83.05	KE70,AE70	036		S2203
	TE71,70,CE70	050	051	S2203
	TE71	050		S2232
		Vehicle rear drum brakes		
83.05-87.05	AE80,81,82,EE80,CE80,AE82	076	133	S2288
87.05-91.08	AE91,92,CE90,EE90	076	133	S2311
	AE95,CE95	076		S2313
91.06-00.08	AE100,110, CE100,110,113,EE101,111	076	133	S2311
	AE104,114, CE104,114,116	076		S2285
	AE101,111	076	133	
	AE101,111	265	133	
00.08-06.09	CE121,121G,ZNE120,121,121G,124,124G	427	566	S2342
	ZZE122,122G,124,124G	427	566	S2343
	ZZE123G	426	566	S2342
06.09-	NZE141	676		S2389
		G		
		X		
	NZE141G,144,144G,ZRE142,142G,144,144G	676		S2389

Corolla Celles				
Year	Model	Front No.	Rear No.	Shoe No.
91.06-98.08	AE100	076		S2311
	AE101	076	133	S2311
	AE101	265	133	

Corolla Van				
Year	Model	Front No.	Rear No.	Shoe No.
79.08-87.08	KE71V,72V,74V	036		S2203
	TE73V,74V,CE71V	050		S2203
87.08-91.08	EE96V,98V,CE96V	076		S2311
90.09-02.06	CE106V,EE102V,103V,106V,107V	076		S2311
	AE109V,CE109V,CE105V	076		S2313

Corolla Levin				
Year	Model	Front No.	Rear No.	Shoe No.
83.05-87.05	AE85	050		S2203
	AE86	067	097	S2232
87.05-91.06	AE91,92	076	133	S2311
91.06-98.08	AE100	076		S2311
	AE101	076	133	S2311
	AE101	265	133	
95.05-00.08	AE110	076		S2311
	AE111	076	133	S2311
	AE111	265	133	

1983 1984 1985 1986 1987 1988 1989 1990 1991 1992 1993 1994 1995 1996 1997 1998 1999 2000 2001 2002 2003 2004 2005 2006 2007 2008 2009 2010
S.58 S.59 S.60 S.61 S.62 S.63 H.01 H.02 H.03 H.04 H.05 H.06 H.07 H.08 H.09 H.10 H.11 H.12 H.13 H.14 H.15 H.16 H.17 H.18 H.19 H.20 H.21 H.22

Corolla Fielder				
Year	Model	Front No.	Rear No.	Shoe No.
82.05-87.08	KE73G	036		S2203
	CE72G	050		S2203
87.08-	EE97G,AE91G,CE97G	076		S2311
91.09-02.06	AE100G,101G,CE100G,101G,102G,108G,EE104G,108G	076	133	S2311
	AE104G	076		S2285
00.08-	ZZE123G	426	566	S2342
	CE121G,NZE121G,124G,ZZE122G,124G	427	566	S2342

Corolla Runx				
Year	Model	Front No.	Rear No.	Shoe No.
01.01-	ZZE123	426	566	
	NZE121,124,ZZE122,124	427		S2342

Corolla Rumion				
Year	Model	Front No.	Rear No.	Shoe No.
07.10-	NZE151N,ZRE152N,154N	676	645	

Corolla II				
Year	Model	Front No.	Rear No.	Shoe No.
82.05-86.04	AL20,21	076		S2287
86.05-90.03	EL30,31,NL30	076	195	S2287
90.03-90.09	EL30,31,NL30	076	195	S2326
90.09-94.09	EL41,43,NL40	076		S2321
	EL45	076		S2313
94.09-99.07	EL51,53,NL50	076		S2321
	EL55	076		S2313

Cavalier				
Year	Model	Front No.	Rear No.	Shoe No.
96.01-	TJG00	352		S2345

Cami				
Year	Model	Front No.	Rear No.	Shoe No.
99.05-05.12	J100	394		S2333
	J102,J122	394		S2339

Quick Delivery				
Year	Model	Front No.	Rear No.	Shoe No.
82.05-85.07	LH24HV			S2276
85.07-95.05	LH80VH	181		S2276
	LH85	184		S2276
95.05-01.08	LY151,152	184		S2276
	LHB1VH,LY82K	181		S2276
	BU68VH,RZU68VH	504		S2297
99.08-	BU280K,BU281K	567		S2296
01.08-	LY228K,270			

1983 1984 1985 1986 1987 1988 1989 1990 1991 1992 1993 1994 1995 1996 1997 1998 1999 2000 2001 2002 2003 2004 2005 2006 2007 2008 2009 2010
S.58 S.59 S.60 S.61 S.62 S.63 H.01 H.02 H.03 H.04 H.05 H.06 H.07 H.08 H.09 H.10 H.11 H.12 H.13 H.14 H.15 H.16 H.17 H.18 H.19 H.20 H.21 H.22

Crown				
Year	Model	Front No.	Rear No.	Shoe No.
79.09-83.08	MS110,112,RS110,LS110,111,GS110	037	079	S2252
83.08-87.09	YS120,GS120,121,MS120,123,125,LS120	037	119	S2252
87.09-	GS130,130G,131,136V,141	212	176	S2252
	JZS130,130G,131,133,135,141,143,145	212	176	S2252
	LS130,130G,130W,131,136V,141	212	176	S2252
	MS130,135,137,UZS131,YS130	212	176	S2252
	JZS147,149,UZS141,147	224	281	
	UZS143,145	282	281	
95.08-99.09	GS151,LS151 Hardtop vehicle	224	281	
	GS151,LS151 GS151 98.08- Gasoline Vehicles	437	353	
	Excluding the above	279	284	
	GS151H Gasoline Vehicles	224	281	
	LPG Vehicle	279	284	
	JZS151,153,155,157,LS151H,UZS151,157	224	281	
99.09-07.06	UZS155	282	281	
	GS171,171W,JKS175,JZS175,175W	440	375	
	JZS171,171W Excluding Athlete V	440	375	
	JZS171,171W Athlete V	282	375	
	JZS173,173W,177,179,UZS171,175	224	375	
03.12-	UZS173	282	375	
	Royal GRS180,181,182,183	631	625	
	Athlete GRS180,181,182	624	625	
	Majesta GRS184	671	625	
08.02-	Majesta UZS186,187	624	625	
	Royal GRS200,201,202,203	631	625	
	Athlete GRS200,201,202,203	624	625	
09.03-	GRS204,GWS204	671	625	
	URS206 Majesta	671	625	
	UZS207 Majesta	624	625	

Granvia, Grand Hiace				
Year	Model	Front No.	Rear No.	Shoe No.
95.08-05.01	KCH10W,12K,16W,RCH11W,VCH10W,16W,22K,28K	354	281	S2330

Kluger V, Kluger L				
Year	Model	Front No.	Rear No.	Shoe No.
00.11-03.08	ACU20W,25W,MCU20W,25W	593	594	
03.08-07.05	ACU20W,25W,MCU20W,25W	593	649	

Kluger Hybrid				
Year	Model	Front No.	Rear No.	Shoe No.
05.03-07.05	MHU28W	648	649	

Cresta				
Year	Model	Front No.	Rear No.	Shoe No.
80.03-84.08	TX50,GX50,SX60,LX60	057		S2232
	GX51,GX61,MX51,MX61	057	079	S2284
84.08-88.08	SX70,LX70	057		S2232
	GX71,MX71	057	119	S2284
88.08-92.10	SX80,LX80,YX80	187		S2232
88.08-89.08	GX81,MX83	187	119	
89.08-92.10	GX81,MX83,JZX81	187	176	
92.10-	JZX90,91,93 Tourer V	282	284	
92.10-95.09	JZX90,91,93 Excluding Tourer V	224	284	
95.09-	JZX90,91,93 Excluding Tourer V	224	281	
92.10-	GX90,LX90,SX90	279	284	
96.09-98.08	GX100,LX100	279	353	
98.08-	GX100,LX100	437	353	
96.09-01.06	JZX101,JZX105,GX105	224	281	
	JZX100 Excluding Roullern G	224	281	
	JZX100 Roullern G	282	353	

1983 1984 1985 1986 1987 1988 1989 1990 1991 1992 1993 1994 1995 1996 1997 1998 1999 2000 2001 2002 2003 2004 2005 2006 2007 2008 2009 2010
S.58 S.59 S.60 S.61 S.62 S.63 H.01 H.02 H.03 H.04 H.05 H.06 H.07 H.08 H.09 H.10 H.11 H.12 H.13 H.14 H.15 H.16 H.17 H.18 H.19 H.20 H.21 H.22

Corsa				
Year	Model	Front No.	Rear No.	Shoe No.
78.08-82.04	AL10,11,12	036		S2262
82.05-89.10	AL20,21	076		S2287
	AL25	076		S2289
86.05-90.03	EL30,31 NA	076		S2287
90.03-90.09	EL30,31 NA	076		S2326
86.05-90.09	EL31 Turbo	076	195	
90.09-99.07	EL41,43,51,53,NL40,50	076		S2321
	EL45,55	076		S2313

Corona Premio				
Year	Model	Front No.	Rear No.	Shoe No.
82.01-87.12	CT140(STD),YT140	058		S2268
87.12-	CT140(STD),YT140			S2268
82.01-	CT140 without STD,AT140,ST140	067		S2232
	TT142,AT141,RT141	057	079	S2284
83.01-87.12	AT150,CT150,ST150,160	076	168	S2285
85.08-88.07	ST160,AT160,ST163	076	168	S2285
88.07-89.07	ST160,AT160,ST163	232	168	S2285
89.07-	ST160,AT160,ST163	076	168	S2285
85.08-89.08	ST162 Excluding 87.8- ABS model	076	168	S2285
	ST162 87.8- ABS model	189	168	S2285
87.12-92.11	AT170,ST170,CT170	076	168	S2285
	ST171,AT175	189	168	S2285
92.02-96.01	AT190,CT190,195,ST190,191,195	279	168	S2285
96.01-01.12	AT210,211,CT210,211,ST210	279		S2311
	CT215,216,ST215	279		S2338

Corona Exiv				
Year	Model	Front No.	Rear No.	Shoe No.
89.09-91.08	ST180,ST181	076		S2285
91.08-93.09	ST180,ST181	189		S2285
89.09-93.09	ST182,ST183	189	168	
93.09-98.04	ST200,201,203	279	168	S2285
	ST202 TR-R,TR-X	279	168	S2285
	ST202 TR-G,200GT Super Strut	343	168	S2285
	ST202 TR-G,200GT MacPherson Strut	224	168	S2285
	ST205	343	168	S2285

Corona Van				
Year	Model	Front No.	Rear No.	Shoe No.
82.01-87.12	TT147V,KT147V,CT147V	067		S2232
87.12-	ET176V,CT176V	076		S2285

Cynos				
Year	Model	Front No.	Rear No.	Shoe No.
91.01-99.07	EL44,52,54	076	195	S2321

Sienta				
Year	Model	Front No.	Rear No.	Shoe No.
03.09-04.10	NCP81G,NCP85G	427		S2358
04.10-	NCP81G,NCP85G	657		S2358

1983 1984 1985 1986 1987 1988 1989 1990 1991 1992 1993 1994 1995 1996 1997 1998 1999 2000 2001 2002 2003 2004 2005 2006 2007 2008 2009 2010
S.58 S.59 S.60 S.61 S.62 S.63 H.01 H.02 H.03 H.04 H.05 H.06 H.07 H.08 H.09 H.10 H.11 H.12 H.13 H.14 H.15 H.16 H.17 H.18 H.19 H.20 H.21 H.22

Supra				
Year	Model	Front No.	Rear No.	Shoe No.
78.04-81.06	MA45(L)	055		S2232
78.04-80.08	MA45(S,G),MA46	055	040	
80.08-81.06	MA55,56	055	079	
81.07-86.02	GA61,MA63	057	079	
86.02-93.05	GA70,MA70,GA70H,JZA70	175	176	
93.05-02.08	JZA80 16inch	282	281	
	JZA80 17inch	312	313	

Starlet				
Year	Model	Front No.	Rear No.	Shoe No.
73.04-75.11	KP40,42,45,47	018		S2203
76.10-78.01	KP51	039		S2203
78.02-84.10	KP61	036		S2262
84.10-89.12	EP71,NP70	132		S2290
89.12-96.01	EP82 GT Turbo	076	195	
	EP82(除GT)NP80 Excluding ABS model	245		S2321
	EP82(除GT)NP80 ABS model	076		S2321
	EP85	076		S2313
96.01-99.07	EP91,NP90 Excluding ABS model	245		S2321
	EP91,NP90 ABS model	076	195	S2321
	EP95 F.X	076		S2313

Sparky				
Year	Model	Front No.	Rear No.	Shoe No.
00.09-03.03	S221E,S231E	450		S0041

Spacio				
Year	Model	Front No.	Rear No.	Shoe No.
97.01-01.05	AE111	076		S2311
	AE115	076		S2285
01.05-07.06	NZE121 5 passengers	427		S2342
	NZE121 7 passengers,ZZE122,ZZE124	427		S2358

Sprinter				
Year	Model	Front No.	Rear No.	Shoe No.
69.09-74.03	TE20,21,25,27	044		S2232
74.04-79.02	KE	021		S2203
	TE	044		S2232
79.03-83.05	KE70,AE70	036		S2203
	TE71,70,CE70	050	051	S2203
	TE71 Rear Drum Brake	050		S2232
83.05-87.05	AE80,81,82,EE80,CE80,AE82	076	133	S2288
87.05-91.08	AE91,92,CE90,EE90	076	133	S2311
	AE95,CE95 4WD	076		S2313
91.06-00.08	AE100,110, CE100,110,113,EE101,111	076	133	S2311
	AE104,114, CE104,114,116	076		S2285
	AE101,111 MacPherson Strut	076	133	
	AE101,111 Super Strut	265	133	
00.08-	CE121,121G,ZNE120,121,121G,124,124G	427	566	S2342
	ZZE122,122G,124,124G	427	566	S2343
	ZZE123G	426	566	S2342

1983 1984 1985 1986 1987 1988 1989 1990 1991 1992 1993 1994 1995 1996 1997 1998 1999 2000 2001 2002 2003 2004 2005 2006 2007 2008 2009 2010
S.58 S.59 S.60 S.61 S.62 S.63 H.01 H.02 H.03 H.04 H.05 H.06 H.07 H.08 H.09 H.10 H.11 H.12 H.13 H.14 H.15 H.16 H.17 H.18 H.19 H.20 H.21 H.22

Sprinter Carib				
Year	Model	Front No.	Rear No.	Shoe No.
82.08-88.02	AL25	076		S2289
88.02-95.08	AE95G	076		S2313
95.08-02.07	AE111G	076	133	S2311
	AE114G,115G	076		S2285

Sprinter Trueno				
Year	Model	Front No.	Rear No.	Shoe No.
83.05-87.05	AE85	050		S2203
	AE86	067	097	S2232
87.05-91.06	AE91,92	076	133	S2311
91.06-98.08	AE100	076		S2311
	AE101 MacPherson Strut	076	133	S2311
	AE101 Super Strut	265	133	
95.05-00.08	AE110	076		S2311
	AE111 MacPherson Strut	076	133	S2311
	AE111 Super Strut	265	133	

Sprinter Van				
Year	Model	Front No.	Rear No.	Shoe No.
79.08-87.08	KE71V,72V,74V	036		S2203
	TE73V,74V,CE71V	050		S2203
87.08-91.08	EE96V,98V,CE96V	076		S2311
90.09-02.06	CE106V,EE102V,103V,106V,107V	076		S2311
	AE109V,CE109V,CE105V	076		S2313

Sprinter Marino				
Year	Model	Front No.	Rear No.	Shoe No.
91.06-98.08	AE100	076		S2311
	AE101 MacPherson Strut	076	133	S2311
	AE101 Super Strut	265	133	

Sprinter Wagon				
Year	Model	Front No.	Rear No.	Shoe No.
82.05-87.08	KE73G	036		S2203
	CE72G	050		S2203
87.08-	EE97G,AE91G,CE97G	076		S2311
91.09-02.06	AE100G,101G,CE100G,101G,102G,108G,EE104G,108G	076	133	S2311
	AE104G	076		S2285
00.08-	ZZE123G	426	566	S2342
	CE121G,NZE121G,124G,ZZE122G,124G	427	566	S2342

Scepter				
Year	Model	Front No.	Rear No.	Shoe No.
92.11-96.08	VCV10-F,VCV15W,VCV15-C	224	168	
	SXV10-F,SXV15W,SXV15-C	279	168	

Sera				
Year	Model	Front No.	Rear No.	Shoe No.
90.03-95.12	EXY10	076	195	S2321

1983 1984 1985 1986 1987 1988 1989 1990 1991 1992 1993 1994 1995 1996 1997 1998 1999 2000 2001 2002 2003 2004 2005 2006 2007 2008 2009 2010
S.58 S.59 S.60 S.61 S.62 S.63 H.01 H.02 H.03 H.04 H.05 H.06 H.07 H.08 H.09 H.10 H.11 H.12 H.13 H.14 H.15 H.16 H.17 H.18 H.19 H.20 H.21 H.22

Celica				
Year	Model	Front No.	Rear No.	Shoe No.
70.12-77.07	TA20,22,23,27,28,35	044		S2232
	RA21,23,25,28 Without monitor	044		S2232
	RA21,23,25,28 With monitor	112		S2232
	RA35 Excluding Liftbuck,GT,GTV,Aluminium wheels models Without monitor	044		S2232
	RA35 Excluding Liftbuck,GT,GTV,Aluminium wheels models With monitor	112		S2232
	RA35 Excluding Liftbuck,GT,GTV,Aluminium wheels models Without monitor	055		S2232
	RA35 Excluding Liftbuck,GT,GTV,Aluminium wheels models With monitor			S2232
77.08-81.06	TA40,41,42,45,46,47,RA40,45,46 Rear Disk Brake GT,GTV,GTR	055 *1	051	
	TA40,41,42,45,46,47,RA40,45,46 Rear Disk Brake ST,XT,SE	044 *1	051	
	TA40,41,42,45,46,47,RA40,45,46 Rear Drum Brake	044 *1		S2232
	TA55,RA55 *1 14inch	055 *1	079	
81.07-85.08	TA61,63,AA63,RA63	057	079	S2284
	TA64	057	040	
	SA60	067		S2232
85.08-87.08	AT160,ST160,162	076	168	S2285
	ST165	189	168	S2285
87.08-89.08	ST162,162C Excluding ABS model	076	168	S2285
	ST162,162C ABS model	189	168	S2285
	ST165	217	168	
87.08-88.07	ST160,163	076		S2285
88.07-89.07	ST160,163	232		S2285
89.07-89.08	ST160,163	076		S2285
89.09-93.09	ST182,183,183C	189	168	
89.09-91.08	ST185,185H	217	168	
91.08-93.09	ST185,185H	189	168	
93.09-99.08	ST202,203 SS-I	279	168	
	SS-II -95.08 ST202	343	168	
	SS-II -97.12 Super Strut	343	168	
	SS-II -97.12 Excluding Above	224	168	
	SS-II 97.12-	265	168	
93.09-99.08	ST205 GT-Four	312	313	
99.08-06.04	ZZT230	427		S2342
	ZZT231	426	566	

Celsior				
Year	Model	Front No.	Rear No.	Shoe No.
89.11-92.08	UCF10,11	224	225	
92.08-94.10	UCF10 A specification Excluding ABS model	282	281	
	UCF10 A specification ABS model	283	280	
	UCF10 B&C specification,UCF11	283	280	
94.10-00.08	UCF20,21	344	280	
00.08-06.08	UCF30,31	600	601	

Century				
Year	Model	Front No.	Rear No.	Shoe No.
82.10-87.09	VG40,45	089	119	
87.09-92.12	VG40,45	272	176	
92.12-97.04	VG40,45	224	176	
97.04-	GZG50	344	280	

1983 1984 1985 1986 1987 1988 1989 1990 1991 1992 1993 1994 1995 1996 1997 1998 1999 2000 2001 2002 2003 2004 2005 2006 2007 2008 2009 2010
S.58 S.59 S.60 S.61 S.62 S.63 H.01 H.02 H.03 H.04 H.05 H.06 H.07 H.08 H.09 H.10 H.11 H.12 H.13 H.14 H.15 H.16 H.17 H.18 H.19 H.20 H.21 H.22

Soarer				
Year	Model	Front No.	Rear No.	Shoe No.
81.02-86.02	GZ10,MZ10,11,12	057	079	
86.02-91.05	GZ20,MZ20,21	175	176	
91.05-92.04	JZZ30 (15inch) ,UZZ30,31	224	281	
	JZZ30 (16inch) ,UZZ32	266	281	
92.04-96.08	JZZ31,UZZ30,31	224	281	
	JZZ30,UZZ32	266	281	
96.08-01.04	UZZ31	224	281	
	JZZ30,31	266 * 1	281	
	* 1 96.08-99.08 JZZ31 Excluding 16inch	224		
01.04-	UZZ40	282	375	

Tercel				
Year	Model	Front No.	Rear No.	Shoe No.
78.08-82.04	AL10,11,12	036		S2262
82.05-89.10	AL20,21	076		S2287
	AL25	076		S2289
86.05-90.03	EL30,31 NA	076		S2287
90.03-90.09	EL30,31 NA	076		S2326
86.05-90.09	EL31 Turbo	076	195	
90.09-99.07	EL41,43,51,53,NL40,50	076		S2321
	EL45,55	076		S2313

Townace				
Year	Model	Front No.	Rear No.	Shoe No.
82.10-88.08	YR20G,21G,28G,CR21G,28G	085		S2232
	YR30G,36G,CR30G,37G (4WD)	170		S2252
88.08-92.01	CR21G,28G,YR20G,21G,28G	139		S2232
	CR30G,37G,YR30G,36G	503		S2252
92.01-96.10	CR30G,31G,37G,38G,YR30G	325		S2252
	CR21G,28G,YR21G Excluding ABS model	324		S2232
	CR21G,28G,YR21G ABS model	324		S2282A
	CR22G,29G Excluding ABS model MT	324		S2252
	CR22G,29G Excluding ABS model AT	324		S2232
	CR22G,29G ABS model	324		S2282A
96.10-98.12	CR40G,SR40G	369		S2339
	CR50G,SR50G	401		S2335A
98.12-	SR50G Excluding SW,REMIX	369		S2335A
	SR50G SW,REMIX	401		S2335A
	CR50G	369		S2335A
	SR40G,CR40G	369		S2339

Townace Truck				
Year	Model	Front No.	Rear No.	Shoe No.
86.10-88.08	KM50,51,YM55,CM50,51,55	085		S2232
88.08-99.06	KM50,51,YM55,CM50,51	139		S2232
88.08-94.04	CM55 Excluding Aerial Work Platforms	139		S2232
94.04-99.06	CM55 Aerial Work Platforms	324		S2282A
86.10-88.08	CM60,65,YM60,65	169		S2252
88.08-99.06	CM60,YM60,65	502		S2252
88.08-96.11	CM65 Excluding Aerial Work Platforms	502		S2252
96.11-99.06	CM65 Aerial Work Platforms	324		S2330
86.10-99.06	CM52,61	502		S2317
99.06-	KM70,75,CM75 Excluding Yamato Specification ,Aerial Work Platforms	369 * 1		S2339 * 1
	CM75 Yamato Specification ,Aerial Work Platforms	369		S2282A
	KM80,85,CM80,85 Excluding Yamato Specification ,Aerial Work Platforms	564		S2335A
	CM85 Yamato Specification ,Aerial Work Platforms	277		S2330
	* 1 CM75 & KM75JUSTLOW, Low-floor vehicles may be used in the 564/S2335A	564		S2335A
99.06-02.08	CM70	369		S2339
02.08-	CM70	369		S2335A

1983 1984 1985 1986 1987 1988 1989 1990 1991 1992 1993 1994 1995 1996 1997 1998 1999 2000 2001 2002 2003 2004 2005 2006 2007 2008 2009 2010
S.58 S.59 S.60 S.61 S.62 S.63 H.01 H.02 H.03 H.04 H.05 H.06 H.07 H.08 H.09 H.10 H.11 H.12 H.13 H.14 H.15 H.16 H.17 H.18 H.19 H.20 H.21 H.22

Townace Van				
Year	Model	Front No.	Rear No.	Shoe No.
82.10-88.08	KR26V,YR26V,CR26V,CR27V	085		S2232
	CR36V 4WD	170		S2252
88.08-92.01	KR26V,YR26V,CR26V,CR27V	139		S2232
	CR36V 4WD	503		S2252
92.01-96.10	CR36V	325		S2252
	CR27V,KR27V,YR25	324		S2232
96.10-	CR41V,CR42V,KR41V,KR42V	369		S2339
	CR51V,CR52V,KR52V	401		S2335A

Chaser				
Year	Model	Front No.	Rear No.	Shoe No.
80.09-84.08	TX60,RX60,GX60,LX60,SX60	057		S2232
	GX61,LX65,RX63,MX61	057	079	S2284
84.08-88.08	SX70,YX70,72,LX70	057		S2232
	GX71,MX71	057	119	S2284
88.08-92.10	SX80,LX80,YX80	187		S2232
88.08-89.08	GX81,MX83,JZX81	187	119	
89.08-92.10	GX81,MX83,JZX81	187	176	
92.10-96.09	JZX90,91,93 TourerV	282	284	
92.10-95.09	JZX90,91,93 Excluding TourerV	224	284	
95.09-96.09	JZX90,91,93 Excluding TourerV	224	281	
92.10-96.09	GX90,LX90,SX90	279	284	
96.09-98.08	GX100,LX100,SX100	279	353	
98.08-	GX100,LX100,SX100	437	353	
96.09-01.06	JZX101,JZX105,GX105	224	281	
	JZX100 Excluding TourerV	224	281	
	JZX100 TourerV	282	353	

Duet				
Year	Model	Front No.	Rear No.	Shoe No.
98.09-99.09	M100A,M101A	391		S0036
99.09-04.05	M100A,M101A Excluding VS	391 * 1		S0037
98.09-04.05	M110A V Excluding ABS model, V Little package	391		S0020
	M110A V ABS model, V Classic, X	391		S0036
	M111A Excluding VS	391 * 1		S0036
	* 1 01.12-M101A,M111 VS only	559		

Deliboy				
Year	Model	Front No.	Rear No.	Shoe No.
89.07-91.05	KXC10V,CXC10V	085		S2232
91.05-95.11	KXC10V,CXC10V	139		S2232

Nadia				
Year	Model	Front No.	Rear No.	Shoe No.
98.08-03.07	SXN10,10H,15,15HACN10,10H,15,15H	376		S2339

Hiace Regius Wagon				
Year	Model	Front No.	Rear No.	Shoe No.
82.12-87.08	YH51G,LH50G,51G	089		S2282A
	YH61G,LH60G,61G	089		S2282
87.08-89.08	YH51G,61G,LH51G	272		S2282A
	LH61G,71G	184		S2282
	YH57G	184		S2305
89.08-93.08	RZH100G,101G,110G,111G,120G,KZH100G,110G,120G(2WD)LH100G,110G,120G,140G	409		S2317
93.08-04.08	RZH100G,101G,110G,111G,120G,KZH100G,110G,120G(4WD),LH100G,110G,120G,140G	354		S2330
89.08-04.08	LH107G,107W,117G,KZH106G,106W,116G,120G(4WD),126G	354		S2305
97.04-02.05	KCH40G,40W,46G,46W,RCH41W,47W	354	281	S2330
04.08-	TRH214W,219W,224W,229W	646		S2378

1983 1984 1985 1986 1987 1988 1989 1990 1991 1992 1993 1994 1995 1996 1997 1998 1999 2000 2001 2002 2003 2004 2005 2006 2007 2008 2009 2010
S.58 S.59 S.60 S.61 S.62 S.63 H.01 H.02 H.03 H.04 H.05 H.06 H.07 H.08 H.09 H.10 H.11 H.12 H.13 H.14 H.15 H.16 H.17 H.18 H.19 H.20 H.21 H.22

Hiace Regius Van

Year	Model	Front No.	Rear No.	Shoe No.
82.12-87.08	YH50V,51V,52V,61V,62V,71V, Single Tire	085		S2260
	LH50V,51V,60V,61V,70V,71V Double Tire	085		S2276
	LH56V,66V 4WD	184		S2305
87.08-89.08	YH61V,62V,LH61V Single Tire	272		S2260
	YH61V,62V,LH61V Double Tire	272		S2276
	YH50V,51V,52V,71V,LH51V,71V	272		S2260
	LH56V,66V 4WD	184		S2305
89.08-93.08	LH102V,103V,113V, Low floor	409		S2317
93.08-96.08	LH113K,123V,125V, Low floor	409		S2330
96.08-04.08	LH162V,172V,172K, Low floor	354		S2330
89.08-95.08	LJ182K,RZH102V,112V, JUSTLOW	409		S2282A
95.08-96.08	RZH112K,122V,133V, JUSTLOW	409		S2335
96.08-04.08	RZH182K,183K JUSTLOW	354		S2330
96.08-04.08	LH109V,119V,129V,168V,178V,188K,KZH132V,138V	354		S2305
97.06-02.05	LXH43V,LXH49V,RCH42V	354	281	S2330
04.08-	KDH200K,200V,205K,205V,220K,222B,225K,227B,	646		S2378
	TRH200K,200V,205V,214W,219W,221K,223B,224W,226K,228B,229W	646		S2378

Hilux

Year	Model	Front No.	Rear No.	Shoe No.
78.08-88.09	RN30,33,35,40,43,45(DX,Super DX),LN30,40,41	035		S2260
	RN36,39,LN36,46(4WD)	059		S2260
83.11-88.09	YN51,56,LN50,51,55,56	089		S2260
	YN60,65,LN60,65	059		S2260
88.09-94.08	YN80,81,85,86,LN80,81,85,86	272		S2260
94.08-	YN80,81,85,86,LN80,81,85,86 JUSTLOW	272		S2260
	YN80,81,85,86,LN80,81,85,86 Excluding JUSTLOW	272		S2330
88.09-97.08	YN100,105,107,LN100,106,107,108,109,112	241		S2305
97.08-99.08	LN147,RZN147,152H	409		S2330
99.08-04.07	LN147,RZN147,152H	409		S2282A
97.08-04.07	LN165,165H,167,170,172,RZN167,169,174	241		S2305

Hilux Surf

Year	Model	Front No.	Rear No.	Shoe No.
84.05-89.04	YN60V,LN60V	059		S2260
84.05-86.08	YN61,LN61	059		S2302
86.08-89.04	YN61,LN61	059		S2305
89.04-91.08	YN130,LN130,131,VZN130,KZN130	241		S2305
91.08-95.11	YN130,LN130,131,VZN130,KZN130	323		S2305
95.11-02.11	KZN185G,W,RZN180W,185W,VZN180W,185W,KDN185G,W	356		S2305
02.11-	KDN215W,RZN210W,215W,VZN210W,215W,TRN210W,215W,GRN215W	623	253	

Passo

Year	Model	Front No.	Rear No.	Shoe No.
04.05-	KGC10,QNC10	618		S0042
	KGC15	618		S0030

Passo Sette

Year	Model	Front No.	Rear No.	Shoe No.
08.12-	M502E With VSC model	644		S2389
	M502E Without VSC model	643		S2389
	M512E	644		S2389

1983 1984 1985 1986 1987 1988 1989 1990 1991 1992 1993 1994 1995 1996 1997 1998 1999 2000 2001 2002 2003 2004 2005 2006 2007 2008 2009 2010
S.58 S.59 S.60 S.61 S.62 S.63 H.01 H.02 H.03 H.04 H.05 H.06 H.07 H.08 H.09 H.10 H.11 H.12 H.13 H.14 H.15 H.16 H.17 H.18 H.19 H.20 H.21 H.22

Harrier

Year	Model	Front No.	Rear No.	Shoe No.
97.12-01.08	MCU10W,15W,SXU10W,15W,ACU10W,15W	376	168	
01.08-03.02	MCU10W,15W,SXU10W,15W,ACU10W,15W	628	168	
03.02-	MCU30W,31W,35W,36W,ACU30W,35W,GSU30W,31W,35W,36W	648	649	
05.03-	MHU38W	648	649	

Vista

Year	Model	Front No.	Rear No.	Shoe No.
82.03-84.05	SV10,11,CV10,11	076		S2285
86.08-90.07	SV20,22,CV20	076		S2285
	SV21,25,VZV20	189	168	S2285
90.07-94.06	CV30,SV30,SV35	275	168	S2285
	SV32,SV33 Etoile,VE,VX	275	168	S2285
	SV32,SV33 Plominent,GT	362	168	S2285
	VZV30,31,32,33	362	168	S2285
94.06-98.06	CV40,43,SV40,41,42,43	279	168	S2285
98.06-03.07	SV50,SV55,AZV50,AZV55	426	438	
98.06-00.04	ZZV50	279		S2342
00.04-03.07	ZZV50	427		S2342

Vista Ardeo

Year	Model	Front No.	Rear No.	Shoe No.
98.06-03.07	SV50G,SV55G,AZV50G	426	438	
98.06-00.04	ZZV50G	279		S2342
00.04-03.07	ZZV50G	427		S2342

Funcargo

Year	Model	Front No.	Rear No.	Shoe No.
99.08-05.09	NCP20,NCP21,NCP25	427		S2342

Platz

Year	Model	Front No.	Rear No.	Shoe No.
99.08-05.12	NCP12,SCP11 2WD	400		S2350
	NCP16 4WD	400		S2342

Prius

Year	Model	Front No.	Rear No.	Shoe No.
97.12-00.05	NHW10	279	566	S2342
00.05-03.08	NHW11	427	566	S2342
03.08-08.01	NHW20	427		S2342
08.01-	NHW20	427		S2383
09.04-	ZVW30			

Blizzard

Year	Model	Front No.	Rear No.	Shoe No.
80.03-84.05	LD10	090	566	S0017
84.05-87.03	LD20,LD20V,LD21G	090	566	S0022
87.03-88.12	LD20,LD20V,LD21G	499		S0022
88.12-90.02	LD20,LD20V,LD21G	448		S0022

Blade

Year	Model	Front No.	Rear No.	Shoe No.
06.12-	AZE154H,156H	676	645	
	GRE156H	672	645	

1983 1984 1985 1986 1987 1988 1989 1990 1991 1992 1993 1994 1995 1996 1997 1998 1999 2000 2001 2002 2003 2004 2005 2006 2007 2008 2009 2010
S.58 S.59 S.60 S.61 S.62 S.63 H.01 H.02 H.03 H.04 H.05 H.06 H.07 H.08 H.09 H.10 H.11 H.12 H.13 H.14 H.15 H.16 H.17 H.18 H.19 H.20 H.21 H.22

Brevis				
Year	Model	Front No.	Rear No.	Shoe No.
01.05-07.06	JCG10,11	440	375	
	JCG15	224	375	

Progres				
Year	Model	Front No.	Rear No.	Shoe No.
98.05-01.04	JCG10,JCG11	224	375	
01.04-07.06	JCG10,JCG11	440	375	
98.05-07.06	JCG15	224	375	

Pronard				
Year	Model	Front No.	Rear No.	Shoe No.
00.02-03.01	MCX20	376		

Probox · Succeed				
Year	Model	Front No.	Rear No.	Shoe No.
02.06-	NCP50V,51V,52V,55V,NLP51V	400		S2358
	NCP58G,59G F	400		S2358
	TX	400 *1		S2358
	*1 G 04.11 package of 427 vehicles in use			
	G 04.11 package of 657 vehicles in use			

Belta				
Year	Model	Front No.	Rear No.	Shoe No.
05.11-	KSP92,NCP96	643		S2383
	SCP92 G With VSC	644	645	
	Excluding above	643		S2383

Porte				
Year	Model	Front No.	Rear No.	Shoe No.
04.07-04.09	NNP10,11,15	427		S2342
04.09-	NNP10,11,15	657		S2342

Mark II				
Year	Model	Front No.	Rear No.	Shoe No.
80.09-84.08	TX60,RX60,GX60,MX60,LX60,SX60	057		S2232
	GX61,LX65,RX63,MX61,63	057	079	S2284
84.08-88.08	SX70,YX70,72,LX70	057		S2232
	GX71,MX71	057	119	S2284
88.08-95.12	SX80,LX80,YX80	187		S2232
88.08-89.08	GX81,MX83,JZX81	187	119	
89.08-95.12	GX81,MX83,JZX81	187	176	
92.10-96.09	JZX90,91,93 Tourer V	282	284	
92.10-95.09	JZX90,91,93 Excluding Tourer V	224	284	
95.09-96.09	JZX90,91,93 Excluding Tourer V	224	281	
92.10-96.09	GX90,LX90,SX90	279	284	
96.09-98.08	GX100,LX100	279	353	
98.08-01.06	GX100,LX100	437	353	
96.09-01.06	GX105,JZX101,JZX105	224	281	
	JZX100 Grande,G, Tourer S	224	281	
	Tourer V	282	353	
00.10-07.06	GX110	440	375	
	GX115,JZX115	224	375	
	JZX110 Grande ,G,IR-S	440	375	
	Grande , IR-V,IR-V,G-tb	282	375	

Mark II Wagon · Qualis · Blit				
Year	Model	Front No.	Rear No.	Shoe No.
80.11-84.08	GX60	057		S2232
84.08-97.04	GX70G	057		S2232
97.04-99.08	SXV20	279	168	
99.08-01.12	SXV20	279	438	
97.04-99.08	MCV20,MCV21	376	168	
99.08-01.12	MCV20,MCV21	376	438	
97.04-01.12	MCV25,SXV25	376	168	
00.10-	GX110W	440	375	
	JZX110W IR,IR-S	440	375	
	IR-V	282	375	
	GX115W,JZX115W	224	375	

Mark II Van				
Year	Model	Front No.	Rear No.	Shoe No.
80.11-97.04	TX67,LX67,YX76V,YX78V	057		S2232
97.04-	MCV20,MCV21	376	168	
	SXV20	279	168	

Mark X				
Year	Model	Front No.	Rear No.	Shoe No.
04.11-09.09	GRX120 S 18inch wheel type	624	625	
		Excluding above	631	625
	GRX121 300G 225/45R18	624	625	
		300G S VSC 225/45R18	624	625
	Excluding above	631	625	
09.10-	GRX125	631	625	
	GRX130,135	631	625	
	GRX133	671	625	

Mark X Zio				
Year	Model	Front No.	Rear No.	Shoe No.
07.09-	ANA10,15,GGA10	672	673	

Masterace				
Year	Model	Front No.	Rear No.	Shoe No.
82.11-88.08	CR21G,CR28G,YR20G,YR21G,YR28G	085		S2232
	CR30G,CR37G,YR30G,YR36G (4WD)	170		S2252
88.08-	CR21G,CR28G,YR20G,YR21G,YR28G	139		S2232
	CR30G,CR37G,YR30G,YR36G (4WD)	503		S2252

Megacruiser				
Year	Model	Front No.	Rear No.	Shoe No.
96.01-01.10	BXD20V	512	513	S2298

Lite Ace					
Year	Model	Front No.	Rear No.	Shoe No.	
82.10-88.08	KM30G,YM30G,CM30G,CM20,YM21	085		S2232	
88.08-92.01	KM30G,YM30G,CM30G,CM20,YM21	139		S2232	
82.10-88.08	YM40G,CM40G 4WD	169		S2252	
88.08-92.01	YM40G,CM40G 4WD	502		S2252	
92.01-96.10	CR30G,31G,37G,38G,YR30G	325		S2252	
		CR21G,28G,YR21G Without ABS	324		S2232
	CR21G,28G,YR21G With ABS	324		S2282A	
	CR22G,29G	Without ABS MT	324		S2252
		Without ABS AT	324		S2232
	With ABS	324		S2282A	
96.10-98.12	CR40G,SR40G	369		S2339	
	CR50G,SR50G	401		S2335A	
98.12-	SR50G 7,8 Seater	369		S2335A	
		3,5,6 Seater	401		S2335A
	CR50G	369		S2335A	
	SR40G,CR40G	369		S2339	
08.01-	S402M	842		S2389	

Liteace Truck				
Year	Model	Front No.	Rear No.	Shoe No.
86.10-88.08	KM50,51,YM55,CM50,51,55	085		S2232
88.08-99.06	KM50,51,YM55,CM50,51	139		S2232
88.08-94.04	CM55 Excluding Aerial Work Platforms	139		S2232
94.04-99.06	CM55 Aerial Work Platforms	324		S2282A
86.10-88.08	CM60,65,YM60,65	169		S2252
88.08-99.06	CM60,YM60,65	502		S2252
88.08-96.11	CM65 Excluding Aerial Work Platforms	502		S2252
96.11-99.06	CM65 Aerial Work Platforms	324		S2330
86.10-99.06	CM52,61	502		S2317
99.06-	KM70,75,CM75 Excluding Specifications Yamato, Aerial work platforms	369 * 1		S2339 * 1
	CM75 Specifications Yamato, Aerial work platforms	369		S2282A
	KM80,85,CM80,85 Excluding Specifications Yamato, Aerial work platforms	564		S2335A
	CM85 Specifications Yamato, Aerial work platforms	277		S2330
	* 1 CM75 & KM75JUSTLOW, Low-floor vehicles may be used in the 564/S2335A	564		S2335A
99.06-02.08	CM70	369		S2339
02.8-	CM70	369		S2335A

Liteace Van				
Year	Model	Front No.	Rear No.	Shoe No.
85.09-88.08	KM31V,35V,36V,CM31V,35V,36V,YM31V	085		S2232
88.08-92.01	KM31V,35V,36V,CM31V,35V,36V,YM31V	139		S2232
85.09-88.08	CM41V	169		S2252
88.08-92.01	CM41V	502		S2252
92.01-96.10	CR36V	325		S2252
	CR27V,KR27V,YR25	324		S2232
96.10-	CR41V,CR42V,KR41V,KR42V	369		S2339
	CR51V,CR52V,KR52V	401		S2335A

Raum				
Year	Model	Front No.	Rear No.	Shoe No.
97.05-03.04	EXZ10 2WD	076		S2311
	EXZ15 4WD	076		S2313
03.4-04.09	NCZ20,25	427		S2342
04.09-	NCZ20,25	657		S2342

Ractis				
Year	Model	Front No.	Rear No.	Shoe No.
05.09-	NCP100	644	645	
	NCP105,SCP100	644		S2389 * 1
	* 1 Developing			

Rush				
Year	Model	Front No.	Rear No.	Shoe No.
06.01-	J200E,J210E	394		S2339

Land Cruiser Prado				
Year	Model	Front No.	Rear No.	Shoe No.
80.08-	BJ41,42,44,46,60V,61V,BJ70,70V,71V,73V,74V	059		S2280
	FJ60V,61V,62G,62V,HJ60V,61V	059		S2280
	LJ71G	059		S2282
90.01-99.08	FJ75,HZJ70,70V,71,71V,73HV,73V,74K,	241	253	S2280
	HZJ74V,75,76K,76V,77HV,77V,78G,79	241	253	S2280
	KZJ71G,71W,78G,78W,LJ78G,78W,	241	253	S2280
	PZJ70,70V,77HV,77V	241	253	S2280

1983 1984 1985 1986 1987 1988 1989 1990 1991 1992 1993 1994 1995 1996 1997 1998 1999 2000 2001 2002 2003 2004 2005 2006 2007 2008 2009 2010
S.58 S.59 S.60 S.61 S.62 S.63 H.01 H.02 H.03 H.04 H.05 H.06 H.07 H.08 H.09 H.10 H.11 H.12 H.13 H.14 H.15 H.16 H.17 H.18 H.19 H.20 H.21 H.22

Year	Model	Front No.	Rear No.	Shoe No.
99.08-04.08	FJ75,HZJ70,70V,71,71V,73HV,73V,74K,	402	253	S2280
	HZJ74V,75,76K,76V,77HV,77V,78G,79	402	253	S2280
	KZJ71G,71W,78G,78W,LJ78G,78W,	402	253	S2280
	PZJ70,70V,77HV,77V	402	253	S2280
90.01-04.08	LJ71G	274	253	
90.01-98.01	FJ80,FZJ80,HDJ81,HZJ81	252	253	S2280
96.04-02.11	KDJ90,95,KZJ90,95,RZJ90,95,VZJ90,95	356	253	
98.01-07.08	HDJ101K,UZJ100W	402	403	
02.09-	KDJ120W,121W,125W,RZJ120W,125W	623	253	
	TRJ120W,125W,VZJ120W,121W,125W,GRJ120W,121W	623	253	
07.08-	UZJ200W,URJ202W	697	698	

IQ				
Year	Model	Front No.	Rear No.	Shoe No.
08.11-	KGJ10,NGJ10	690	645	

bB				
Year	Model	Front No.	Rear No.	Shoe No.
00.01-05.12	NCP30,31,34,35	427		S2342
05.12-	QNC20,21	559		S2397 * 1
	QNC25	559		S0041
	* 1 Developing			

MR2				
Year	Model	Front No.	Rear No.	Shoe No.
84.06-89.12	AW10,11	076	129	
89.12-91.12	SW20	244	129	
91.12-99.08	SW20	265	129	

MR-S				
Year	Model	Front No.	Rear No.	Shoe No.
99.10-07.07	ZZW30	427	129	

RAV4				
Year	Model	Front No.	Rear No.	Shoe No.
94.04-00.05	SXA10,11,15,16,WSXA11	279	439	S2333
00.05-03.07	ACA20W,ZCA25W	565	439	S2333
03.07-05.11	ACA20W,ZCA25W	565	439	S2371
00.05-02.08	ACA21W,ZCA26W	565	439	S2333
02.08-05.11	ACA21W,ZCA26W	565	439	S2371
05.11-	ACA31W,33W,36W,38W,GSA33W	672	673	

Will Cypha				
Year	Model	Front No.	Rear No.	Shoe No.
02.10-05.07	NCP70,75	427		S2342

Will Vi				
Year	Model	Front No.	Rear No.	Shoe No.
00.01-	NCP19	427		S2350

Will Vs				
Year	Model	Front No.	Rear No.	Shoe No.
01.04-04.04	ZZE127	427	566	
	ZZE128	426	566	
	ZZE129,NZE127	427		S2342

1983 1984 1985 1986 1987 1988 1989 1990 1991 1992 1993 1994 1995 1996 1997 1998 1999 2000 2001 2002 2003 2004 2005 2006 2007 2008 2009 2010
S.58 S.59 S.60 S.61 S.62 S.63 H.01 H.02 H.03 H.04 H.05 H.06 H.07 H.08 H.09 H.10 H.11 H.12 H.13 H.14 H.15 H.16 H.17 H.18 H.19 H.20 H.21 H.22

NISSAN ▶▶▶

Avenir					
Year	Model		Front No.	Rear No.	Shoe No.
90.05-93.12	W10	GA16,CD20,SR18 Without ABS	215	255	S1170
93.12-95.08	W10	GA16,CD20,SR18 Without ABS	484	255	S1170
95.08-98.08	W10	GA16,CD20 Without ABS	215	255	S1170
	W10	SR18 Without ABS	218	255	S1170
90.05-98.08	W10	GA16,CD20,SR18,SR20DE,CD20T	218	255	S1170
	W10	SR20DET	286	255	S1170
98.08-01.01	W11	QG18DE,SR20DE,CD20ET	219	255	S1170
	W11	SR20DET	270	255	S1170
01.01-05.09	W11	QG18DE,SR20DE,CD20ET	219	571	S1170
	W11	SR20DET	270	571	S1170

Infiniti Q45					
Year	Model		Front No.	Rear No.	Shoe No.
94.09-97.09	G50		270	271	
	Remaining amount of the original electric warning device is not available				

Wingroad						
Year	Model		Front No.	Rear No.	Shoe No.	
96.05-99.05	Y10	Without ABS 2WD GA15DE,CD20	328		S1185	
	Y10	Without ABS 2WD SR18DE,4WD	328		S1170	
	Y10	With ABS	328		S1198	
99.05-	Y11	2WD QG13DE,QG15DE	414		*1	
	Y11	2WD QG18DE	414		*2	
	Y11	2WD SR20DE	414		S1198	
	Y11	2WD SR20VE	219	255 *3		
	Y11	4WD	414		S1170	
		*1 Without ABS ... X and Z in the car used in the S1198 With ABS				
		*2				
05.11-	Y12	HR15DE 2WD	611		S1267	
		HR15DE 4WD	611		S1264	
		MR18DE	611		S1267	

Exa					
Year	Model		Front No.	Rear No.	Shoe No.
82.04-83.04	KHN12		071	146	S1160
83.04-86.10	KHN12		125	146	S1160
86.10-90.08	N13		164	165	S1160

X-trail					
Year	Model		Front No.	Rear No.	Shoe No.
00.10-07.08	T30		359	587	
07.08-	T31		692	587	

S-cargo					
Year	Model		Front No.	Rear No.	Shoe No.
89.01-90.11	G20		071		S1167

1983 1984 1985 1986 1987 1988 1989 1990 1991 1992 1993 1994 1995 1996 1997 1998 1999 2000 2001 2002 2003 2004 2005 2006 2007 2008 2009 2010
S.58 S.59 S.60 S.61 S.62 S.63 H.01 H.02 H.03 H.04 H.05 H.06 H.07 H.08 H.09 H.10 H.11 H.12 H.13 H.14 H.15 H.16 H.17 H.18 H.19 H.20 H.21 H.22

Elgrand					
Year	Model		Front No.	Rear No.	Shoe No.
97.05-02.05	E50	Coach	359		S1174
98.10-	AE50	Jumbo Taxi,Camper,High standard ambulance	359		S1189
02.05-	E51		610	587	

Otti					
Year	Model		Front No.	Rear No.	Shoe No.
05.06-06.10	H91W		388		S6726
06.10-07.08	H92W		388		S6726
07.08-	H92W	Turbo Model	388		S6726
		Excluding Turbo Model	552		S6726

Kix					
Year	Model		Front No.	Rear No.	Shoe No.
08.10-	H59A		396		S6723

Caravan, Homy					
Year	Model		Front No.	Rear No.	Shoe No.
80.08-82.01	E23	Front Disc Car	066		S1158
82.01-82.05	E23		078		S1158
82.05-83.04	E23		078		S1162
83.04-85.01	E23		144		S1162
85.01-87.11	E23	Excluding Coach	144		S1162
		Coach	145		S1162
86.09-87.10	E24	Van	087		S1171
		Coach	155		S1176
87.10-88.10	E24	Van 4WD	461		S1171
		Van 2WD,Bus, Ambulances	087		S1171
		Coach 4WD 2700cc	155		S1174
		Coach 2000cc	155		S1176
88.10-92.10	E24	Van 4WD	462		S1171
		Van 2WD · Infant Car · Micro car · Ambulances	087		S1171
		Coach -90.10 TD27T 2WD,Z20,LD20T	155		S1176
		Coach Excluding above	155		S1174
92.10-93.05	E24	Van · Micro car · Ambulances	462		S1174
		Coach · Infant Car	155		S1174
93.05-01.04	E24	-99.06	462		S1174
		99.06-	359		S1189
		Ambulances	155		S1174
		Infant Car -93.11	155		S1174
		Infant Car 93.11-	462		S1174
		Coach 94.05-95.08 QD32,Z20S	462		S1174
		Coach Excluding TD27 94.05-96.02 4WD	462		S1174
		Coach TD27 94.05-96.02 4WD	249		S1174
		Coach Excluding above	155		S1174
		Bus	462		S1174
01.04-	E25		612		S1174

Cube					
Year	Model		Front No.	Rear No.	Shoe No.
98.02-99.11	Z10		415		S1204
99.11-00.09	Z10	2WD	415		S1204
		4WD	414		S1198
00.09-02.10	Z10	2WD	414		S1204
		4WD	414		S1198
02.10-	Z11	2WD	611		S1999
02.10-05.05	Z11	4WD	611		S1198
05.05-	Z11	4WD	611		S1264
08.11-	Z12	2WD	693		S1267
		4WD	693		S1264

1983 1984 1985 1986 1987 1988 1989 1990 1991 1992 1993 1994 1995 1996 1997 1998 1999 2000 2001 2002 2003 2004 2005 2006 2007 2008 2009 2010
S.58 S.59 S.60 S.61 S.62 S.63 H.01 H.02 H.03 H.04 H.05 H.06 H.07 H.08 H.09 H.10 H.11 H.12 H.13 H.14 H.15 H.16 H.17 H.18 H.19 H.20 H.21 H.22

Cube Cubic				
Year	Model	Front No.	Rear No.	Shoe No.
03.09-05.05	BGZ11	611		S1198
05.05-	BGZ11	611		S1264

Clipper Van - Truck				
Year	Model	Front No.	Rear No.	Shoe No.
03.10-	U71T,U71TP,U71T,U72TP,U71V,U72V	552		S6729

Clipper Rio				
Year	Model	Front No.	Rear No.	Shoe No.
07.05-	U71W	388		S6729

Crew				
Year	Model	Front No.	Rear No.	Shoe No.
93.07-96.09	K30,30S	155		S1198
96.09-	K30,30S	155		S1170

Sunny				
Year	Model	Front No.	Rear No.	Shoe No.
-77.11	B10,KB10,B110,210,211,HB211,KB210,KHB211	011		S1122
	PB110,KPB110	009		S1122
	PB210,GB211,KGB211	029		S1122
77.11-81.09	B310,KB310,GB310,KGB310	011		S1149
	HB310,KHB13(GX,SGX)	001		S1149
77.11-79.09	HB310,KHB310 Excluding GX,SGX,PB310,KPB310,WHB310	011		S1149
79.09-81.07	HB310,KHB310 Excluding GX,SGX,PB310,KPB310,WHB310	001		S1149
81.07-81.09	HB310,KHB310 Excluding GX,SGX,PB310,KPB310,WHB310			S1149
81.10-83.04	B11	071	140	S1160
83.04-83.10	B11	125	140	S1160
83.10-87.11	B11	125	146	S1160
85.09-90.08	B12 2WD Excluding Turbo model ,DOHC	125		S1160
	B12 2WD Turbo,DOHC	164	165	
	B12 4WD	164		S1170
90.01-93.12	B13 GA13DS,GA15DS,GA16DE,CD17 2WD	249	251	S1185
	B13 GA13DS,GA15DS,GA16DE,CD17 4WD	249	251	S1170
	B13 SR18DE	250	251	
	B13 NX Coupe ABS model	229	251	
94.01-99.08	B14 GA13,15,16,CD20 2WD	328	342	S1185
	B14 GA13,15,16,CD20 4WD	328	251	S1170
	B14 SR16VE 2WD	254	342	S1185
	B14 SR16VE 4WD	254	251	S1170
	B14 SR18DE 2WD	328 *1	342	S1185
	B14 SR18DE 4WD	328 *1	251	S1170
	B14 SR18DE Lucino Autech Versión	254 *1	255	
*1 94.05-95.05 Ventilated car , 96.11-96.12	496			
98.10-04.10	B15 QG13DE,QG15DE,QG18DD,YD22DD	414		S1167 *2
98.10-01.05	B15 SR16VE	219	255	
01.05-04.10	B15 SR16VE	219	571	
	*2 QG15DE 4WD			S1170

Sunny California				
Year	Model	Front No.	Rear No.	Shoe No.
85.05-90.08	B12 2WD	125		S1160
	B12 4WD	164		S1170
90.10-96.05	Y10 2WD Without ABS	249		S1185
	Y10 2WD With ABS	250		S1198
	Y10 4WD Without ABS	250		S1170
	Y10 4WD With ABS	250		S1198

1983 1984 1985 1986 1987 1988 1989 1990 1991 1992 1993 1994 1995 1996 1997 1998 1999 2000 2001 2002 2003 2004 2005 2006 2007 2008 2009 2010
S.58 S.59 S.60 S.61 S.62 S.63 H.01 H.02 H.03 H.04 H.05 H.06 H.07 H.08 H.09 H.10 H.11 H.12 H.13 H.14 H.15 H.16 H.17 H.18 H.19 H.20 H.21 H.22

Sunny Truck				
Year	Model	Front No.	Rear No.	Shoe No.
66. -89.10	B20,120,121,122,GB120,121,122	205		
89.10-94.03	B122,GB122	205		S1149

Sunny Van				
Year	Model	Front No.	Rear No.	Shoe No.
66. -77.11	VB10,110,210,VHB210	011		S1122
77.11-82.10	VB310,311,312,VHB310,311,312	011		S1149
82.10-90.08	VB11,VHB11,VSB11	071		S1160

Safari				
Year	Model	Front No.	Rear No.	Shoe No.
80.06-81.12	160	062		S1146A
81.12-82.07	160	096		S1146A
82.07-83.08	160	096		S1146
83.08-85.10	160	062		S1146
85.10-88.12	160	174		S1146
87.10-93.08	Y60 TD42,TD42T,TB42S	174 *1	235	S1179
93.08-94.10	Y60 TD42,TD42T,TB42S	473	235	S1179
87.10-94.10	Y60 TB42E WGY60,CGY60	287	235	S1179
94.10-97.08	Y60 RD28T,TD42,TD42T,TB42S	487	235	S1179
	Y60 TB42E	287	235	S1179
	*1 91.02-91.10 WRGY60 Normal Roof 4door	473		
97.10-02.11	Y61	413	229	
02.11-06.07	Y61	619		

Cima				
Year	Model	Front No.	Rear No.	Shoe No.
88.01-91.08	Y31	155	143	
91.08-96.06	Y32	270	271	
96.06-97.09	Y33 VQ30DET	270	271	
97.09-01.01	Y33 VQ30DET With TCS	359	271	
	Y33 VQ30DET Without TCS	270	271	
96.06-01.01	Y33 VH41DE	359	271	
01.01-	GF50,GNF50,HF50	404	271	

Silvia, Gazelle				
Year	Model	Front No.	Rear No.	Shoe No.
75.09-79.02	S10,S11	029		S1119
79.03-83.08	S110,KS110(NA)	029		S1148
79.03-81.03	PS110,KPS110	028	042	
81.03-81.04	PS110,KPS110	028		
81.05-82.01	S110,KS110 Turbo,PS110,KPS110	028	064	
82.01-83.08	US110(DOHC),S110 Turbo,KS110 Turbo,PS110,KPS110	028	064	
83.08-88.05	JS12,RJS12(NA)	056		S1148
	S12,RS12 Turbo ,BS12,RBS12,US12,RUS12(NA)	056	124	
	US12,RUS12 Turbo	087	124	
88.05-91.01	S13	164	227	
91.01-93.10	PS13 NA Without HICAS	164	227	
	PS13,PKS13 NA With HICAS Turbo	219	227	
93.10-96.06	S14 NA	229	227	
96.06-98.12	S14 NA	218	227	
93.10-98.12	S14 Turbo	340	227	
99.01-02.08	S15 spec R, Autech version	220	227	
	S15 spec S	219	227	

1983 1984 1985 1986 1987 1988 1989 1990 1991 1992 1993 1994 1995 1996 1997 1998 1999 2000 2001 2002 2003 2004 2005 2006 2007 2008 2009 2010
S.58 S.59 S.60 S.61 S.62 S.63 H.01 H.02 H.03 H.04 H.05 H.06 H.07 H.08 H.09 H.10 H.11 H.12 H.13 H.14 H.15 H.16 H.17 H.18 H.19 H.20 H.21 H.22

Skyline				
Year	Model	Front No.	Rear No.	Shoe No.
68.10-72.09	GC10,KGC10,KPGC10,GC110,KGC110	028	011	S1119
68.10-75.09	C10,PC10,KPC10,C110,PC110	008		S1119
72.09-75.09	KC110,KPC110,BC111,KBC111	029		S1119
75.10-77.07	HC111,KHC111	028		S1119
77.08-81.08	HGC210,HGC211,KHGC210,KHGC211	028	011	S1148
77.08-78.09	BC210,211,KBC210,211,PC210,211,KPC210,211 PC210,211,KPC210,211(TI-E,S)	029 028		S1148
78.10-81.08	BC211,KBC211,PC211,KPC211 Excluding TI-E,S PC211,KPC211,UC211,KUC211 TI-E,S	034 028		S1148
80.05-81.08	EGC211,KEGC211	028		S1148
81.08-82.10	R30	056	011	S1148
82.10-83.08	R30 NA R30 Turbo	049 087	064	S1148
83.08-84.11	R30 NA R30 Turbo	122 123	124	S1148
84.11-87.09	R30 FJ20ET	123	124	S1148
87.09-89.10	R30	123	228	S1148
84.11-89.10	R30 FJ20E R30 L20ET	122 123	124	S1148
85.08-90.03	R31	087	143	S1170
89.05-90.04	R32 CA18I R32 RB20E,RB20DE R32 RB20DET GTS-t	229 218 219	143	S1170
90.04-93.08	R32 CA18I R32 RB20E,RB20DE R32 RB20DET GTS-t	229 218 219	143	S1170
89.05-93.08	R32 RB20DET GTS-t typeM,GTS4 R32 RB25DE R32 BR26DETT R32 RB26DETT V-SPEC	220 219 220 329	221	
93.08-98.11	R33 RB20E R33 RB25DE R33 RB25DE GTS25(96.1-) R33 RB25DET	218 286 340 340	256	
95.01-99.01	R33 RB26DETT	329	330	
98.05-02.08	R34 RB20DE R34 RB25DE R34 RB25DET	341 *1 286 *2 340	256	
99.01-02.08	R34 RB26DETT *1 99.10-the model 286 may use the *2 SUPER HICAS	329 286 340	330	
01.06-07.06	V35 VQ25DD,VQ30DD V35 VQ35DE -04.11 V35 VQ35DE Brembo calliper	585 219 590	587	
04.11-07.06	V35 VQ35DE Sedan ·AT·CVT V35 VQ35DE MT· Coupe Automatic Transmission	219 404	587	
06.11-	KV36 TYPE P TYPE SP,TYPE S NV36 PV36 TYPE S,TYPE SP TYPE P With HICAS TYPE P Without HICAS V36 -08.12 08.12- 250GT TYPE S 08.12- Excluding above	404 694 *3 404 694 *3 694 *3 404 694 *3 404	587	
07.10-	CV36,CKV36 370GT,370GT TYPE-P 370GT TYPE-S,TYPE-SP *3 Developing	694 *3 695	587	

1983 1984 1985 1986 1987 1988 1989 1990 1991 1992 1993 1994 1995 1996 1997 1998 1999 2000 2001 2002 2003 2004 2005 2006 2007 2008 2009 2010
S.58 S.59 S.60 S.61 S.62 S.63 H.01 H.02 H.03 H.04 H.05 H.06 H.07 H.08 H.09 H.10 H.11 H.12 H.13 H.14 H.15 H.16 H.17 H.18 H.19 H.20 H.21 H.22

Skyline van				
Year	Model	Front No.	Rear No.	Shoe No.
81.10-82.09	VPJR30,VSJR30	056		S1148
82.09-83.07	VPJR30,VSJR30	049		S1148
83.07-	VPJR30,VSJR30	122		S1148

Skyline Crossover				
Year	Model	Front No.	Rear No.	Shoe No.
09.07-	J50	404		

Skyline Wagon				
Year	Model	Front No.	Rear No.	Shoe No.
86.01-90.03	WFJR31,WHJR31	123		S1170

Stanza				
Year	Model	Front No.	Rear No.	Shoe No.
81.06-86.06	T11,FT11,KT11,PT11,FPT11,KPT11	056		S1149
86.06-88.01	T12Y,PT12Y NA PT12Y,RT12Y Turbo	182 123	142	S1167
88.01-92.11	T12Y,PT12Y NA RT12Y Turbo	215 087	142	S1167

Stagea				
Year	Model	Front No.	Rear No.	Shoe No.
96.09-01.03	WC34 RB20DE,RB25DE 2WD WC34 RB25DE 4WD AWC34 Autech version 260RS	219 286 329	256	
96.09-98.08	WC34 RB25DET	270	256	
98.08-01.03	WC34 RB25DET	404	271	
01.10-02.04	M35,AM35	585	587	
02.04-	M35,AM35	219	587	

Cedric, Gloria				
Year	Model	Front No.	Rear No.	Shoe No.
83.06-87.06	Y30 Front 83.06-87.06 85.06- PY30,KPY30(VG30ET) Y30 Rear 83.06-85.06 Y30(PY30,KPY30(VG30ET)) 83.06-85.06 Y30 85.06-87.06 Y30 Shoe 83.06-87.06	123 155	143	
87.06-91.06	*1 PY31 Brougham VIP ,KPY31 Brougham VIP,NJY31,TNJY31 Y31 Excluding*1 Without ABS Y31 Excluding*1 With ABS	155 123 155	143	S1156
91.06-95.06	Y32 VG20E Without ABS Y32 VG20E With ABS Y32 RD28 Y32 VG30E -93.6 Y32 VG30E 93.6- Y32 VG30E 93.6- Gran Turismo,S, Brougham Y32 VG30DE Y32 VG30DET Y31,SY31 Without ABS Y31,SY31 With ABS	123 155 155 155 270 155 270 123 155	256	S1156
95.06-99.05	Y33 VQ30DET,RD28,RB25DET VG20E,VG30E,VQ25DE,VQ30DE	270 270	271	S1156
99.06-04.10	Y34 VQ25DD,VQ30DD,VQ20DE RB25DET,VQ30DET	270 404	256	

Cedric/Gloria Van				
Year	Model	Front No.	Rear No.	Shoe No.
79.06-81.09	V430 Custom DX ,VR430(DX),VH430(DX)	066		S1156
81.08-83.06	V430 Custom DX ,VR430(DX),VH430(DX)	078		S1156
83.03-97.08	Y30	123		S1156

1983 1984 1985 1986 1987 1988 1989 1990 1991 1992 1993 1994 1995 1996 1997 1998 1999 2000 2001 2002 2003 2004 2005 2006 2007 2008 2009 2010
S.58 S.59 S.60 S.61 S.62 S.63 H.01 H.02 H.03 H.04 H.05 H.06 H.07 H.08 H.09 H.10 H.11 H.12 H.13 H.14 H.15 H.16 H.17 H.18 H.19 H.20 H.21 H.22

Cedric/Gloria Wagon				
Year	Model	Front No.	Rear No.	Shoe No.
79.10-83.06	W430,WH430	028		S1156
83.06-99.06	WY30,WHY30	123		S1156

Cefiro					
Year	Model	Front No.	Rear No.	Shoe No.	
88.09-90.04	A31 2WD	RB20E	Without ABS	229	143
	A31 2WD	RB20E	With ABS ,RB20DE	218	143
	A31 2WD	RB20DET,RB25DE		219	143
	A31 4WD	RB20E	Without ABS	229	256
	A31 4WD	RB20E	With ABS ,RB20DE	218	256
	A31 4WD	RB20DET,RB25DE		219	256
90.04-94.08	A31	RB20E	Without ABS	229	256
	A31	RB20E	With ABS RB20DE	218	256
	A31	RB20DET,RB25DE		219	256
94.08-98.11	A32			219	255
98.12-01.03	A33	VQ20DE		219	255 *1
01.03-02.12	A33	VQ20DE		585	571
98.12-02.12	A33	VQ25DD		219	255 *1
	*1 00.12-				571

Serena					
Year	Model	Front No.	Rear No.	Shoe No.	
91.06-99.06	C23	Van		215	S1198
	C23	Wagon 2WD FE		215	S1198
	C23	Wagon Excluding above		285	S1193
99.06-05.05	C24			359	S1193
05.05-	C25			664	587

Datsun Truck					
Year	Model	Front No.	Rear No.	Shoe No.	
79.10-83.03	720			028	
83.03-85.08	720			087	S1162
85.08-97.01	D21	2WD		087	S1174
	D21	4WD N20S,TD27		123	S1189
	D21	4WD TD27T 2700 turbo		155	S1189
97.01-02.08	D22	NA20S,TD27		155	S1174
	D22	KA24E,QD32		155	S1189

Datsun Van					
Year	Model	Front No.	Rear No.	Shoe No.	
82.10-90.08	VB11,VHB11,VSB11			071	S1160

Teana					
Year	Model	Front No.	Rear No.	Shoe No.	
03.02-08.06	J31,PJ31,TNJ31			585	587
08.06-	J32,PJ32,TNJ32			219	587

Tiida					
Year	Model	Front No.	Rear No.	Shoe No.	
04.09-	C11	2WD		611	S1267
		4WD		611	S1264

Tiida Latio					
Year	Model	Front No.	Rear No.	Shoe No.	
04.10-	SC11	2WD		611	S1267
		4WD		611	S1264

1983 1984 1985 1986 1987 1988 1989 1990 1991 1992 1993 1994 1995 1996 1997 1998 1999 2000 2001 2002 2003 2004 2005 2006 2007 2008 2009 2010
S.58 S.59 S.60 S.61 S.62 S.63 H.01 H.02 H.03 H.04 H.05 H.06 H.07 H.08 H.09 H.10 H.11 H.12 H.13 H.14 H.15 H.16 H.17 H.18 H.19 H.20 H.21 H.22

Tino					
Year	Model	Front No.	Rear No.	Shoe No.	
98.12-01.01	V10	SR20DE		219	255
01.01-03.03	V10	SR20DE		219	571

Dualis					
Year	Model	Front No.	Rear No.	Shoe No.	
07.05-	J10,J10E			692	587

Terrano, Regulus					
Year	Model	Front No.	Rear No.	Shoe No.	
86.08-95.09	D21	Van		087	
	D21	Wagon TD27		123	
	D21	Wagon TD27T,VG30		155	230
95.09-02.09	R50,JR50			359	S1189

Note					
Year	Model	Front No.	Rear No.	Shoe No.	
05.01-	E11	2WD		611	S1999
		4WD		611	S1264

Violet, Liberta, Auster					
Year	Model	Front No.	Rear No.	Shoe No.	
73.1-77.4	J710			001	S1119
77.5-81.6	A10,11,KA10,11			001	S1149
	PA10,11,KPA10,11,UPA11RA11,KRA11			001	S1148
81.06-82.07	T11,FT11,KT11,PT11,FPT11,KPT11			056	S1149
82.07-83.04	T11,FT11,KT11,PT11,FPT11,KPT11			049	S1149
83.04-85.10	T11,FT11,KT11,PT11,FPT11,KPT11			122	S1149
85.10-86.06	T12,PT12(NA),FPT12			122	S1167
86.06-88.01	T12			182	S1167
	PT12(NA),FPT12			122	S1167
88.01-93.01	T12,PT12(NA),FPT12			215	S1167
85.10-93.01	PT12 turbo			123	142
	RT12 DOHC turbo,Rtt,Xtt,FRT12(TYPE II)			087	142

Hypermini					
Year	Model	Front No.	Rear No.	Shoe No.	
99.09-03.03	EAO			415	227

Pao					
Year	Model	Front No.	Rear No.	Shoe No.	
89.01-90.10	PK10			152	S1164

Bassara					
Year	Model	Front No.	Rear No.	Shoe No.	
99.11-	JU30			359	S1193

Vanette, Largo					
Year	Model	Front No.	Rear No.	Shoe No.	
82.09-89.11	C120			122	S1148
86.05-93.04	C22	2WD		167	S1170
		4WD		123	S1176
93.05-94.04	W30	2WD,4WD CD20TI		285	S1193
		4WD KA24DE		355	S1193
94.04-99.06	W30	2WD,4WD CD20TI-7seater		285	S1193
		4WD KA24DE,CD20TI-8seater		355	S1193

1983 1984 1985 1986 1987 1988 1989 1990 1991 1992 1993 1994 1995 1996 1997 1998 1999 2000 2001 2002 2003 2004 2005 2006 2007 2008 2009 2010
S.58 S.59 S.60 S.61 S.62 S.63 H.01 H.02 H.03 H.04 H.05 H.06 H.07 H.08 H.09 H.10 H.11 H.12 H.13 H.14 H.15 H.16 H.17 H.18 H.19 H.20 H.21 H.22

Vanette/Largo Van				
Year	Model	Front No.	Rear No.	Shoe No.
82.09-89.11	C120	056		S1148
86.05-93.04	C22 2WD	166		S1170
	C22 4WD	087		S1176

Vanette Van				
Year	Model	Front No.	Rear No.	Shoe No.
78.10-81.06	C120 Front disc model	034		S1148
81.06-89.11	C120	056		S1148
85.09-88.09	C22	167		S1170
88.09-94.03	C22 2WD	167		S1170
	C22 4WD	218		S1170
94.04-99.06	S20 Single tire	190		S3348
	S20 Double tire 2WD	190		S3351
	S20 Double tire 4WD	190		S3350
99.06-	S21	521		

Vanette Truck				
Year	Model	Front No.	Rear No.	Shoe No.
82.09-89.11	C120 Short body	056		S1148
	C120 Long body	056		S1148
82.11-94.04	C22 2WD	166		S1170
	C22 4WD	218		S1170
94.09-99.06	S20 Single tire	190		S3348
	S20 Double tire 2WD	190		S3351
	S20 Double tire 4WD	190		S3350
99.06-	S21	521		

Vanette Coach				
Year	Model	Front No.	Rear No.	Shoe No.
78.10-81.06	C120 Front disc model	034		S1148
81.06-89.11	C120	056		S1148
85.09-88.09	C22	167		S1170
88.09-	C22 2WD	167		S1170
	C22 4WD	218		S1170

Pulsar · Langley				
Year	Model	Front No.	Rear No.	Shoe No.
71. -75.	E10,KE10,PE10,KPE10	004		S1137
75. -78.	F10,11,KF10,11,PF10,11,KPF10,11	011		S1137
78.5-82.4	N10	011		S1149
82.04-83.04	N12	071	146	S1160
83.04-87.11	N12	125	146	S1160
86.05-90.08	N13 2WD SOHC	071		S1160
	N13 2WD DOHC,4WD	164	165	S1170
90.08-95.01	N14 GA13DS,GA15DS,GA16DE,CD17 2WD	249	251	S1185
	N14 GA13DS,GA15DS,GA16DE,CD17 4WD	249	251	S1170
	N14 SR18DE	229	251	
	N14 SR20DET	254	255	
95.01-00.08	N15 GA15DE,GA16DE,CD20			
	Front	328		
	Rear 2WD 95.01-97.06		342	S1185
	2WD 97.06-		342	S1167
	4WD		251	S1170
	N15 SR16VE,SR18DE			
	Excluding 15inch 95.01-96.11	328	342	
	15inch	254	255	
	Excluding 14inch	254 *1	255	
	14inch	328 *2	255	
*1 496 may use the				
*2 185/65 14tire car 342may use the				

Pulsar Van				
Year	Model	Front No.	Rear No.	Shoe No.
78.10-82.10	VN10,11,VUN10,VHN10,11,VWN10	011		S1149
82.10-90.08	VB11,VHB11,VSB11	071		S1160

Pino				
Year	Model	Front No.	Rear No.	Shoe No.
07.01-	HC24S	656		S9967

Fuga				
Year	Model	Front No.	Rear No.	Shoe No.
04.10-	Y50	404	587	

Figaro				
Year	Model	Front No.	Rear No.	Shoe No.
91.02-92.01	FK10	152		S1164

Fairlady Z				
Year	Model	Front No.	Rear No.	Shoe No.
65.05-69.09	SR311,SP311	002		S1114
71.10-76.04	S30,HS30,240Z,260Z,GS30	028	011	S1143
76.05-78.07	S31,GS31	028		S1148
78.08-81.10	S130	066	042	
81.10-83.09	S130	078	064	
83.09-86.10	Z31	123	124	
86.10-89.07	Z31 RB20DET	123	227	
	Z31 VG30DE,VG30E	194	227	
89.07-93.07	Z32	220	221	
93.07-00.08	Z32	340	221	
02.07-05.09	Z33,HZ33	219	587	
05.09-08.12	Z33,HZ33 Base · Version T	404	587	
02.07-08.12	Z33,HZ33 Brembo callper	590	330	
08.12-	Z34 VERSION S,VERSION ST	695	696	
		404	587	
Excluding above				

Primera, Primera Camino				
Year	Model	Front No.	Rear No.	Shoe No.
90.02-95.09	P10 Without ABS 1800cc	215		S1167
	P10 With ABS 1800cc	218	142	
	HP10 2WD 2000cc	218	142	
	HP10 4WD 2000cc	218	255	
95.09-96.08	P11	218	255	S1167
96.08-97.09	P11	218	255	S1223
97.09-98.09	P11 2WD SR18DE,SR20DE	218	255	S1223
	P11 2WD SR20VE,4WD	219	255	S1223
98.09-00.11	P11 QG18DD	218	255	S1223
	P11 SR20DE	219	255	S1223
00.11-	P11 QG18DD	218	571	S1223
	P11 SR20DE	219	571	S1223
01.01-	P12 2WD	585	571	
	P12 4WD	585	587	

Primera Wagon				
Year	Model	Front No.	Rear No.	Shoe No.
97.09-00.11	P11	SR18DE,QQ18DE	218	255
	P11	SR20DE,SR20VE	219	255
00.11-	P11	SR18DE,QQ18DE	218	571
	P11	SR20DE,SR20VE	219	571
01.01-	P12	2WD	585	571
	P12	4WD	585	587

Bluebird, Bluebird Sylphy				
Year	Model	Front No.	Rear No.	Shoe No.
65. -73.01	410,R411		001	S1114
	510,KP510,P510,N510,H510		001	S1119
71.08-73.07	610(STD,DX)			S1119
	610(GL),K610		001	S1119
71.08-75.09	P610,KP610		001	S1119
73.08-76.06	G610,KG610		028	S1119
75.10-76.06	610,K610,KP610		029	S1119
76.07-78.06	PJ810			S1119
	J810,KJ810,KPJ810		034	
	RG810,KRG810		028	011
78.07-79.09	J811			S1148
	PJ811			S1148
	PJ811,KP811,P811,RG811,KRG811,KPJ811	028or034	042	S1148
79.10-80.07	910	Front disc model	049	042
80.07-81.12	910	Front disc model	056	042
81.12-	910	Front disc model	056	064
83.10-88.10	RU11,YU11,EU11,KYU11		122	142
	U11,KU11	SSS Excluding carburetor model, turbo	123	142
	U11,KU11	SSS Cabrator model	122	142
	U11,KU11	Excluding SSS, turbo	122	142
	PU11,KPU11		087	142
87.09-89.10	U12,TSU12,SU12,TMU12,MU12,KMU12		215	142
	MNU12,KMNU12,RU12,RNU12,KRU12,KRNU12		218 *1	142
89.10-91.08	U12,SU12,TMU12,KSU12		215	142
	EU12,KEU12	SES,XES,FES,FES/SV, Superselect without ABS	215	142
	EU12,KEU12	SSS,SES,XES,FES,FES/SV, Superselect with ABS	218	142
	ENU12,KENU12,HU12,KHU12,KEU12		218	142
	HNU12	NA	218	142
	HNU12	turbo	285	142
	*1 RU12 XES,XESF		215may use the	
91.09-	U13	2WD GA16DS,SR18DE,CD20 Without ABS	215	255
	U13	2WD GA16DS,SR18DE,CD20 Superselect with ABS	218	255
	U13	2WD SR20DE,4WD SR18DE,CD20,KA24DE	218	255
	U13	4WD SR20DET	286	255
96.01-97.09	U14	SR18DE,QQ18DE,SR20DE,CD20	218	255
97.09-01.08	U14	SR18DE,QQ18DE,SR20DE,CD20	218	255 *2
96.01-01.08	U14	SR20VE	219	255
	*2 00.11-			571
00.08-05.12	G10	2WD	414	S1167
	G10	4WD	414	S1170
05.12-	G11	2WD	611	S1267
	G11	4WD	611	S1264

Bluebird Van				
Year	Model	Front No.	Rear No.	Shoe No.
79.12-81.08	VJ910,VTJ910,VEJ910		049	S1148
81.08-83.10	VJ910,VTJ910,VEJ910		056	S1148
83.10-87.09	VRU11,VEU11		122	S1148
87.09-	VRU11,VEU11		215	S1148

1983 1984 1985 1986 1987 1988 1989 1990 1991 1992 1993 1994 1995 1996 1997 1998 1999 2000 2001 2002 2003 2004 2005 2006 2007 2008 2009 2010
S.58 S.59 S.60 S.61 S.62 S.63 H.01 H.02 H.03 H.04 H.05 H.06 H.07 H.08 H.09 H.10 H.11 H.12 H.13 H.14 H.15 H.16 H.17 H.18 H.19 H.20 H.21 H.22

Bluebird maxima/maxima				
Year	Model	Front No.	Rear No.	Shoe No.
84.10-88.10	PU11,KPU11		123	142
	PU11,KPU11		087	142
88.10-91.08	HJ30,EJ30		219	142
91.08-	HJ30,EJ30		219	255

Bluebird Wagon				
Year	Model	Front No.	Rear No.	Shoe No.
79.12-80.07	WPJ910,WUJ910		049	S1148
80.07-83.10	WPJ910,WUJ910		056	S1148
83.10-87.09	WU11	LX,SSS	122	S1167
83.10-90.05	WU11	turbo,SSSE	087	142
87.09-90.05	WU11	LX,SSS	215	S1167
90.02-91.09	WHU12	Aussie	218	142

Prairie · Joy · Liberty				
Year	Model	Front No.	Rear No.	Shoe No.
82.08-85.01	PM10	5 seater	071	S1167
82.08-84.05	PM10,BM10,VBM10	8 seater	049	S1167
84.05-85.01	PM10,BM10,VBM10	8 seater	122	S1167
85.01-88.09	PM10,BM10,VBM10	2WD	122	S1167
85.01-88.06	HNM10	4WD	123	S1170
88.06-88.09	HNM10	4WD	087	S1170
88.09-90.09	M11		218	142
90.09-92.02	M11	CA20S 4WD 5,7 seater,2WD,KA24E 2WD	218	142
	M11	CA20S 4WD 8 seater,KA24E 4WD	285	142
92.02-95.08	M11	CA20S 2WD 5,7 seater	218	142
	M11	CA20S 2WD 8 seater,4WD,KA24E	285	142
95.08-98.11	M11		285	255
98.11-04.12	M12	2WD	270	S1170
	M12	4WD	270	S1193

Presage				
Year	Model	Front No.	Rear No.	Shoe No.
98.06-03.06	U30		359	S1193
03.06-	U31		610	587

President				
Year	Model	Front No.	Rear No.	Shoe No.
73. -82.10	250,H250,H251,H252		006	S1140
82.10-86.03	H252			S1156
86.03-90.10	H252		155	S1156
90.10-98.12	G50,H50		270	271
	Remaining amount of the original electric warning device is not available			
98.12-02.08	G50,H50		359	271
03.10-	PGF50		404	271

Presea				
Year	Model	Front No.	Rear No.	Shoe No.
90.06-	R10	SR20DE	229	251
	R10	GA15DS,SR18DI,SR18DE Excluding 94.06-	249	251
	R10	SR18DE 94.06-	486	251
95.02-97.08	R11		328	342
97.08-00.08	R11		328	342

1983 1984 1985 1986 1987 1988 1989 1990 1991 1992 1993 1994 1995 1996 1997 1998 1999 2000 2001 2002 2003 2004 2005 2006 2007 2008 2009 2010
S.58 S.59 S.60 S.61 S.62 S.63 H.01 H.02 H.03 H.04 H.05 H.06 H.07 H.08 H.09 H.10 H.11 H.12 H.13 H.14 H.15 H.16 H.17 H.18 H.19 H.20 H.21 H.22

March					
Year	Model		Front No.	Rear No.	Shoe No.
82.10-84.03	K10	MA10S,MA10T	080		S1164
84.03-91.12	K10	MA10S,MA10T	152		S1164
82.10-91.12	K10	MA09RT	164		S1164
92.01-97.05	K11		152	288	S1204
97.05-99.11	K11		399	288	S1204
99.11-02.02	K11	2WD	414	288	S1204
	K11	4WD	414	288	S1198
92.01-02.02	CK11	cabriolet	399		S1204
02.02-	K12	2WD	611		S1999
02.02-05.08	K12	4WD	611		S1198
05.08-	K12	4WD	611		S1264

Micra					
Year	Model		Front No.	Rear No.	Shoe No.
07.07-	FHZK12				

Mistral					
Year	Model		Front No.	Rear No.	Shoe No.
94.02-97.05	R20		155		S1174

Murano					
Year	Model		Front No.	Rear No.	Shoe No.
04.09-08.09	Z50		658	587	
08.09-	Z51		658		

Moco					
Year	Model		Front No.	Rear No.	Shoe No.
02.04-03.08	MG21S	Without turbo 2WD 413992,4WD 136316-	656		S9959
03.08-06.02		Excluding above	387		S9967
06.02-	MG22S	Turbo model	656		S9967

Rasheen					
Year	Model		Front No.	Rear No.	Shoe No.
94.12-99.12	RB14	GA15DE	328	251	S1170
99.12-00.08	RB14	GA15DE	496	251	S1170
94.12-00.08	RB14	SR18DE,SR20DE	254	255	

Lafesta					
Year	Model		Front No.	Rear No.	Shoe No.
04.12-	B30		219		S1264

Liberta Villa					
Year	Model		Front No.	Rear No.	Shoe No.
82.06-83.04	HN12,SN12		071	146	S1160
83.04-87.11	HN12,SN12		125	146	S1160
86.10-90.08	N13	2WD	125		S1160
	N13	4WD	164		S1170
	N13	DOHC	164	165	

1983 1984 1985 1986 1987 1988 1989 1990 1991 1992 1993 1994 1995 1996 1997 1998 1999 2000 2001 2002 2003 2004 2005 2006 2007 2008 2009 2010
S.58 S.59 S.60 S.61 S.62 S.63 H.01 H.02 H.03 H.04 H.05 H.06 H.07 H.08 H.09 H.10 H.11 H.12 H.13 H.14 H.15 H.16 H.17 H.18 H.19 H.20 H.21 H.22

Leopard					
Year	Model		Front No.	Rear No.	Shoe No.
80.09-84.06	JF30		056		S1148
	HF30		056	042	
80.09-81.08	PF30	F,CF,GX,SGX,SFL,ZGX,SF,turbo GX,turbo SGX,turbo ZGX	056	042	
81.08-84.06	PF30		056	064	
84.06-86.02	JF30,PF30,NF30		206	124	S1148
86.02-88.08	GF31,UF31		087	143	
88.08-91.12	GF31	turbo	087	143	
	GF31	NA	123	143	
	UF31		087	143	
92.06-95.11	JPY32,JGBY32		270	271	
96.03-99.05	JPY33,JENY33,JHBY33,JHY33,JMY33,JY33	turbo model	270	271	
		Without turbo	270	256	

Laurel					
Year	Model		Front No.	Rear No.	Shoe No.
68.04-73.10	C30		001		S1119
72.04-75.09	C130		008		S1119
	KHC,KPC,KNC,KMC,HC,NC,MC,BC,SC130,HC,KHC,KSC131		028		S1119
72.04-73.10	PC130		008		S1119
73.10-75.09	PC130		028		S1119
77.01-80.10	C230,231		028	042	S1148
80.11-81.10	C31		056	042	S1148
81.10-82.10	C31 KNC31		056	042	S1148
81.10-82.10	C31	Excluding KCN31	056	064	S1148
82.10-83.03	C31		049	064	S1148
83.03-84.10	C31		122	124	S1148
84.10-88.12	C32		087	143	S1170
88.12-90.04	C33	CA18,RB20E,RD28 Without ABS	229	143	S1170
	C33	CA18,RB20E,RD28 With ABS	218	143	S1170
	C33	RB20DET,RB25DE	219	143	S1170
	C33	RB20DE	218	143	S1170
90.04-93.01	C33	CA18,RB20E,RD28 Without ABS	229	256	S1170
	C33	CA18,RB20E,RD28 With ABS	218	256	S1170
	C33	RB20DET,RB25DE	219	256	S1170
	C33	RB20DE	218	256	S1170
93.01-97.06	C34	RB20E,RB20DE,RD28	341	256	
	C34	RB25DET	286	256	
93.01-94.09	C34	RB25DE	219	256	
94.09-97.06	C34	RB25DE 2WD	219	256	
	C34	RB25DE 4WD	286	256	
97.06-98.09	C35	RB20E,RB25DE,RD28 2WD	219	256	
	C35	RB20E,RB25DE,RD28 4WD	286	256	
	C35	RB25DET	286	256	
98.09-02.08	C35	RB20E,RB25DE,RD28 2WD	219	256	
	C35	RB20E,RB25DE,RD28 4WD	286	256	
	C35	RB25DET	404	256	

Laurel Spirit					
Year	Model		Front No.	Rear No.	Shoe No.
82.01-83.04	SB11,HB11	NA	071		S1160
83.04-86.08	SB11,HB11	NA	125		S1160
82.01-83.04	HB11	turbo	071	140	
83.04-83.10	HB11	turbo	125	140	
83.10-86.08	HB11	turbo	125	146	
86.08-94.01	HB12,SB12,FB12		125		S1160
	EB12 DOHC,FNB12 4WD		164	165	S1170

1983 1984 1985 1986 1987 1988 1989 1990 1991 1992 1993 1994 1995 1996 1997 1998 1999 2000 2001 2002 2003 2004 2005 2006 2007 2008 2009 2010
S.58 S.59 S.60 S.61 S.62 S.63 H.01 H.02 H.03 H.04 H.05 H.06 H.07 H.08 H.09 H.10 H.11 H.12 H.13 H.14 H.15 H.16 H.17 H.18 H.19 H.20 H.21 H.22

Lucino, Lucino S-RV					
Year	Model		Front No.	Rear No.	Shoe No.
94.05-99.08	B14	Excluding Autech version, VZR	328	342	S1185
	B14	Autech version, VZR	254	255	
	N15	GA15DE, GA16DE 2WD	328	342	S1185
	N15	GA15DE, GA16DE 4WD	328	251	S1170
	N15	SR16VE, SR18DE	254	255	

R'Nessa · R'Nessa EV					
Year	Model		Front No.	Rear No.	Shoe No.
97.10-98.11	N30	2WD	270		S1170
98.01-01.07	N30	2WD	270		S1240
97.10-01.07	N30	4WD, EV	359		S1193
98.05-00.11	EVN30		359		S1193

180sx					
Year	Model		Front No.	Rear No.	Shoe No.
89.03-91.01	RS13		164	227	
91.01-96.08	RPS13, RPKS13		219	227	
96.08-98.12	RS13		219	227	

AD · AD Expert					
Year	Model		Front No.	Rear No.	Shoe No.
06.12-	VAY12, VJY12, VY12		611		S1264
	VZNY12		611		S1264

AD Van					
Year	Model		Front No.	Rear No.	Shoe No.
90.10-93.08	Y10	4 door 2WD	249		S1185
	Y10	4 door 4WD	250		S1170
	Y10	2 door	249		S1170
93.08-99.05	Y10	4 door 2WD	*1		*2
	Y10	4 door 4WD Without ABS	250		S1170
	Y10	4 door 4WD With ABS	250		S1198
	Y10	2 door Without ABS	*1		S1170
	Y10	2 door With ABS	*1		S1198
	Y10X	made in Mexico	249		S1185
	*1	-94.8	249		
		94.8-97.5 Without ABS	249		
		94.8-97.5 With ABS	250		
		97.5-	250		
*2	GA13DS, GA15DS Without ABS		S1185		
	GA13DS, GA15DS With ABS		S1198		
	CD17		S1170		
99.05-	Y11	QG13, QG15, YD22 Without ABS	414		S1170
	Y11	QG13, QG15, YD22 With ABS	414		S1198
	Y11	QG18	414		S1170

1983 1984 1985 1986 1987 1988 1989 1990 1991 1992 1993 1994 1995 1996 1997 1998 1999 2000 2001 2002 2003 2004 2005 2006 2007 2008 2009 2010
S.58 S.59 S.60 S.61 S.62 S.63 H.01 H.02 H.03 H.04 H.05 H.06 H.07 H.08 H.09 H.10 H.11 H.12 H.13 H.14 H.15 H.16 H.17 H.18 H.19 H.20 H.21 H.22

AD Max					
Year	Model		Front No.	Rear No.	Shoe No.
96.05-	Y10	Without ABS	249		S1170
	Y10	With ABS	250		S1198

AD Wagon					
Year	Model		Front No.	Rear No.	Shoe No.
90.10-93.08	Y10	4 door 2WD	249		S1185
	Y10	4 door 4WD	250		S1170
	Y10	2 door	249		S1170
93.08-94.08	Y10	2 door, 4 door 2WD Without ABS	249		S1170
	Y10	2 door, 4 door 2WD With ABS	249		S1198
94.08-96.05	Y10	2 door, 4 door 2WD Without ABS	249		S1170
	Y10	2 door, 4 door 2WD With ABS	250		S1198
93.08-96.05	Y10	4 door 4WD Without ABS	250		S1170
	Y10	4 door 4WD With ABS	250		S1198

Vanette					
Year	Model		Front No.	Rear No.	Shoe No.
09.05-	M20, VM20				

Be-1					
Year	Model		Front No.	Rear No.	Shoe No.
87.01-88.05	BK10		152		S1164

GT-R					
Year	Model		Front No.	Rear No.	Shoe No.
07.10-	R35		690	691	

1983 1984 1985 1986 1987 1988 1989 1990 1991 1992 1993 1994 1995 1996 1997 1998 1999 2000 2001 2002 2003 2004 2005 2006 2007 2008 2009 2010
S.58 S.59 S.60 S.61 S.62 S.63 H.01 H.02 H.03 H.04 H.05 H.06 H.07 H.08 H.09 H.10 H.11 H.12 H.13 H.14 H.15 H.16 H.17 H.18 H.19 H.20 H.21 H.22

HONDA

Avancier					
Year	Model	Front No.	Rear No.	Shoe No.	
99.11-	TA1,TA3	261	278		
	TA2,TA4	445	278		

Acty					
Year	Model	Front No.	Rear No.	Shoe No.	
83.03-88.05	TC,VH 4WD	091		S5517	
88.05-	HA1,HA2,HH1,HH2	192		S5522	
90.02-	HA3,HA4,HA5,HH3,HH4	192		S5520	
99.05-	HA6,HA7,HH5,HH6	366		S5516	

Accord • Torneo					
Year	Model	Front No.	Rear No.	Shoe No.	
81.09-85.06	AC,AD,SY,SZ	074	092	S5516	
85.06-89.09	CA1(-1200000)	148	138	S5520	
	CA1(1200001-),CA2,3,5	149	138	S5520	
	CA6	213	138	S5520	
89.09-93.09	CB1,2,3,4,6,7,9	231	273	S5520	
93.09-	CD3,4,5	231	273	S5520	
	CD6,8,CF2	261	273	S5520	
	CD7,CE1	338	273	S5520	
97.09-	CF3	410	273		
	CF4,5,6,7,CH9,CL2,3	261	273		
	CL1	445	273		
02.10-	CL7 Euro R 20A,20E,20EL	445	273		
		629	273		
	CL8	629	273		
02.10-	CM1,2,3 20A,24E,24EL 24T,TYPE S	445	278		
		445	278		
	CW2	445	278		
08.12-	CU2	445	687		
	CW2	445	278		

Ascot					
Year	Model	Front No.	Rear No.	Shoe No.	
89.09-	CB1,2,3,4,CC4,5	231	273	S5520	
93.10-	CE4	231	273	S5524	
	CE5	261	273		

Insight					
Year	Model	Front No.	Rear No.	Shoe No.	
99.10-	ZE1				
09.02-	ZE2	840			

Inspire					
Year	Model	Front No.	Rear No.	Shoe No.	
89.09-	CB5	231	273	S5524	
	CC3,UA1	299	273		
	CC2,UA2,UA3	261	273		
98.10-	UA4	261	278		
	UA5	445	278		
03.6-	UC1	445	273		
07.12-	CP3	445	687		

1983 1984 1985 1986 1987 1988 1989 1990 1991 1992 1993 1994 1995 1996 1997 1998 1999 2000 2001 2002 2003 2004 2005 2006 2007 2008 2009 2010
S.58 S.59 S.60 S.61 S.62 S.63 H.01 H.02 H.03 H.04 H.05 H.06 H.07 H.08 H.09 H.10 H.11 H.12 H.13 H.14 H.15 H.16 H.17 H.18 H.19 H.20 H.21 H.22

Integra					
Year	Model	Front No.	Rear No.	Shoe No.	
84.02-86.02	AV,DA1 -1300000, -1200000	074	138	S5519	
86.02-	DA2	074		S5518	
	AV,DA1 GS,LS,ZS 1300001-,GS,ZS 1200001- GSI 1300001-,GSI 1200001-	074		S5519	
		209	138		
89.04-	DA5,DA7 1200001- With ABS	213	210	S5519	
	DA5,DA7 Excluding 1200001- With ABS	149	210	S5519	
	DA6,DA8,DB1	213	210	S5519	
93.05-	DC1 Without ABS With ABS	260		S5527	
		320	210		
	DC2,DB8 Excluding TYPE R TYPE-R 96spec TYPE-R 98spec	320	210		
		320	210		
		261	273		
	DB6 With ABS	259		S5520	
		320	210		
	DB7	320	210		
DB9	259		S5520		
	260		S5527		
	260		S5520		
01.07-	EK3 -5200000 Without ABS -5200000 With ABS 5200001-	260		S5520	
		260		S5520	
	DC5 IS Type R Type S	259	273		
		590	273		
		410	273		

Edix					
Year	Model	Front No.	Rear No.	Shoe No.	
04.07-	BE1	259	278	S5524	
	BE2,3,4,8	578	278	S5524	

Airwave					
Year	Model	Front No.	Rear No.	Shoe No.	
05.04-	GJ1,2	259		S5524	

Elyson • Prestige					
Year	Model	Front No.	Rear No.	Shoe No.	
04.4-	RR1,2,3,4,5,6	359	638		

Element					
Year	Model	Front No.	Rear No.	Shoe No.	
03.4-	YH2	634	278		

Odyssey • Prestige • Ebsolute					
Year	Model	Front No.	Rear No.	Shoe No.	
94.10-	RA1,RA2,RA3,RA4,RA5	261	278		
99.11-	RA6,RA7,RA8,RA9	445	278		
03.10-	RB1,RB2 B,S,M,L Absolute	629	638		
		445	638		
08.10-	RB3,4 L,L,I,M Absolute	629	638		
		445	638		

Orthia					
Year	Model	Front No.	Rear No.	Shoe No.	
96.02-	EL1,EL2,EL3	320		S5520	

1983 1984 1985 1986 1987 1988 1989 1990 1991 1992 1993 1994 1995 1996 1997 1998 1999 2000 2001 2002 2003 2004 2005 2006 2007 2008 2009 2010
S.58 S.59 S.60 S.61 S.62 S.63 H.01 H.02 H.03 H.04 H.05 H.06 H.07 H.08 H.09 H.10 H.11 H.12 H.13 H.14 H.15 H.16 H.17 H.18 H.19 H.20 H.21 H.22

Capa				
Year	Model	Front No.	Rear No.	Shoe No.
98.04-	GA4,GA6	260		S5520

Crossroad				
Year	Model	Front No.	Rear No.	Shoe No.
07.02-	RT1 18L	629	638	
	18L X package Excluding 17inch aluminium wheel	629	638	
	18L X package 17inch aluminium wheel	445	638	
	RT2,3,4	445	638	

Concerto				
Year	Model	Front No.	Rear No.	Shoe No.
88.06-92.	MA1,MA2,MA3	209	138	S5519

That's				
Year	Model	Front No.	Rear No.	Shoe No.
02.02-	JD1 NA	366		S5529
	JD1 turbo	577		S5529
	JD2 NA	366		S5520
	JD2 turbo	577		S5520

City				
Year	Model	Front No.	Rear No.	Shoe No.
81.11-86.10	AA Excluding Bulldog ,VF	081		S5510
	AA Bulldog ,FA	074		S5510
86.10-	GA1	192		S5521
	GA2	074		S5521

Civic				
Year	Model	Front No.	Rear No.	Shoe No.
83.09-87.09	AG,AJ,AH,AK	074		S5518
	AT,AU -1200000	074		S5518
	AT,AU 1200001-	193		S5518
87.07-	EF1,EF2	074		S5518
	EF3,EF4,EF5	209	138	S5519
	EF9	213	138	
91.09-	EG3	147		S5527
	EG4 MX,ML	147		S5527
	EG4 ETI MT	147		S5527
	EG4 ETI AT	260		S5527
	EG4 VTI Without ABS	260		S5527
	EG4 VTI With ABS	259	210	
	EG5 Without ABS	260	210	
	EG5 With ABS	259	210	
	EG6	259	210	S5520
	EG7 MT	147		S5527
	EG7 AT	260		S5527
	EG8 Excluding VTI MT	147		S5527
	EG8 Excluding VTI AT	260		S5527
	EG8 VTI Without ABS	260		S5527
	EG8 VTI With ABS	259	210	
	EG9	259	210	S5520
	EH1 RTX	260		S5520
EH1 RT-SI	259		S5520	
EJ1	259	210	S5520	
EJ3	259	210	S5527	

1983 1984 1985 1986 1987 1988 1989 1990 1991 1992 1993 1994 1995 1996 1997 1998 1999 2000 2001 2002 2003 2004 2005 2006 2007 2008 2009 2010
S.58 S.59 S.60 S.61 S.62 S.63 H.01 H.02 H.03 H.04 H.05 H.06 H.07 H.08 H.09 H.10 H.11 H.12 H.13 H.14 H.15 H.16 H.17 H.18 H.19 H.20 H.21 H.22

Year	Model	Front No.	Rear No.	Shoe No.
95.08-	EK2(3Door) Without ABS	147		S5527
	EK2(3Door) With ABS	260		S5520
	EK3(3Door) RI Without ABS	147		S5527
	EK3(3Door) RI With ABS	260		S5520
	EK3(3Door) VTI Without ABS	260		S5527
	EK3(3Door) VTI With ABS	260		S5520
	EK4(3Door)	259	210	
	EK9 Type R 4 hole wheel	259	210	
	EK9 Type R 5 hole wheel	261	273	
	EK2(FERIO) Front MT	147		
	EK2(FERIO) Front AT	260		
	EK2(FERIO) Rear Without ABS			S5527
	EK2(FERIO) Rear With ABS			S5520
	EK3(FERIO) -3200000	260	210	S5527
	EK3(FERIO) 3200001- VI-RS	259	210	S5520
	EK3(FERIO) 3200001- Excluding VI-RS	260	210	S5520
	EK4(FERIO)	259	210	
EK5(FERIO)	259		S5520	
EK8(FERIO) -1100000	260		S5527	
EK8(FERIO) 1100001-	260		S5520	
EJ7(Coupe)	197		S5520	
00.09-	EN2	357		S5520
	EP3	410	273	
	ES1	260		S5520
	ES2,ET2	259		S5520
	ES3	259	273	
05.09-	EU1,EU2,EU3,EU4	259	273	S5524
	FD1,FD2 Excluding TYPE R	578	273	
09.11-	TYPE-R	677	273	
	FN2 TYPE-R EURO	410	688	

Civic Hybrid				
Year	Model	Front No.	Rear No.	Shoe No.
00.09-	ES9			S5524
05.11-	FD3		273	S5524

Jazz				
Year	Model	Front No.	Rear No.	Shoe No.
93.10-	UCS69DWH,UBS25GWH,UBS69GWH	314	315	

STEP WGN · STEP WGN SPADA				
Year	Model	Front No.	Rear No.	Shoe No.
96.04-	RF1,2,3,4,5,6,7,8	261	278	
05.05-	RG1,2,3,4	629	638	
09.10-	RK1,2,5,6,7	634	278	

Stream · Stream Almas				
Year	Model	Front No.	Rear No.	Shoe No.
00.10-	RN1 Excluding Absolute Almas ,RN2	259		S5524
	RN1 Absolute Almas ,RN3,4,5	578	278	
06.07-	RN6,7,8,9	629	638	S5524

1983 1984 1985 1986 1987 1988 1989 1990 1991 1992 1993 1994 1995 1996 1997 1998 1999 2000 2001 2002 2003 2004 2005 2006 2007 2008 2009 2010
S.58 S.59 S.60 S.61 S.62 S.63 H.01 H.02 H.03 H.04 H.05 H.06 H.07 H.08 H.09 H.10 H.11 H.12 H.13 H.14 H.15 H.16 H.17 H.18 H.19 H.20 H.21 H.22

ZEST · ZEST SPARK

Year	Model	Front No.	Rear No.	Shoe No.
06.02-	JE1	Car lift-up seat	640	S5541
		Use wheelchairs	640	S5520
		Excluding above	366	S5541
		turbo	640	S5541
	JE2	NA	366	S5520
		turbo	640	S5520

Today

Year	Model	Front No.	Rear No.	Shoe No.
85.09-	JW1,JW2,JA1	091		S5521
85.09-94.09	JA2,JW3	192		S5521
	JA3,JW4	192		S5519
94.09-	JA2,JW3	366		S5521
	JA3,JW4	366		S5519
93.01-	JA4	366		S0030
	JA5	366		S5519

Domani

Year	Model	Front No.	Rear No.	Shoe No.	
92.11-	MA4	Without ABS	260	210	
		With ABS	259	210	
	MA5		259	210	S5520
	MA6	Without ABS	260	210	S5520
	MA6	With ABS	259	210	S5520
	MA7		260		S5527
	MB3	Without ABS	260		S5527
		With ABS	259		S5520
	MB4	16G Without ABS	260		S5527
	MB4	16G With ABS	260		S5520
	MB4	16X	260		S5520
	MB5		259		S5520

Partner

Year	Model	Front No.	Rear No.	Shoe No.
96.02-	EY6,EY7,EY8,EY9	260		S5520
06.03-	GJ3,GJ4	260		S5524

Vamos · Vamos Hobio

Year	Model	Front No.	Rear No.	Shoe No.
99.05-	HM1,HM2,HM3,HM4,HJ1,HJ2	366		S5516

Ballade

Year	Model	Front No.	Rear No.	Shoe No.
83.09-	AJ,AK	074		S5518

Beat

Year	Model	Front No.	Rear No.	Shoe No.
91.05-	PP1	192	138	

1983 1984 1985 1986 1987 1988 1989 1990 1991 1992 1993 1994 1995 1996 1997 1998 1999 2000 2001 2002 2003 2004 2005 2006 2007 2008 2009 2010
S.58 S.59 S.60 S.61 S.62 S.63 H.01 H.02 H.03 H.04 H.05 H.06 H.07 H.08 H.09 H.10 H.11 H.12 H.13 H.14 H.15 H.16 H.17 H.18 H.19 H.20 H.21 H.22

Vigar, Saber

Year	Model	Front No.	Rear No.	Shoe No.	
81.09-85.06	AC,AD,SY,SZ	074	092	S5516	
85.06-89.09	CA1	-1200000	148	138	S5520
	CA1	1200001-	149	138	S5520
	CA2,CA3,CA5		149	138	S5520
89.09-	CB5	231	273	S5524	
91.12-	CC3,UA1	299	273		
	CC2,UA2,UA3	261	273		
98.10-	UA4	261	278		
	UA5	445	278		

Fit

Year	Model	Front No.	Rear No.	Shoe No.	
01.06-05.12	GD1	147		S5534	
	GD2,4	260		S5520	
	GD3	260	210	S5534	
05.12-	GD1	1.3A,1.3W,1.3Y,1.3AU	147		S5534
		1.3S	260		S5534
	GD2,4	260	210	S5520	
	GD3	260	210	S5534	
07.10-	GE6	Excluding 15 inch wheel	147		S5534
		15 inch wheel	259		
GE7,8,9	259	210			

Fit Aria

Year	Model	Front No.	Rear No.	Shoe No.
01.06-	GD6	147		S5534
	GD7,GD9	260		S5520
	GDB	260		S5534

Freed

Year	Model	Front No.	Rear No.	Shoe No.
08.05-	GB3,4	259		S5524

Prelude

Year	Model	Front No.	Rear No.	Shoe No.
82.11-87.05	AB	074	092	S5516
	BA1	161	138	
87.05-91.09	BA4,BA5	XL,XR,XX	209	210
	BA4,BA5	BA4 SI -1009665, BA5 SI -1024736	177	210
	BA4,BA5	BA4 SI 1009666-, BA5 SI 1024737-	213	210
	BA7(SI,STATES)		213	210
91.09-96.11	BA8,BA9		299	273
	BB1,BB4		261	273
96.11-	BB5,BB7		299	273
	BB6,BB8		261	273

Horizon

Year	Model	Front No.	Rear No.	Shoe No.
94. -	UBS25GWH,UBS69GWH,UCS69DWH	314	315	

1983 1984 1985 1986 1987 1988 1989 1990 1991 1992 1993 1994 1995 1996 1997 1998 1999 2000 2001 2002 2003 2004 2005 2006 2007 2008 2009 2010
S.58 S.59 S.60 S.61 S.62 S.63 H.01 H.02 H.03 H.04 H.05 H.06 H.07 H.08 H.09 H.10 H.11 H.12 H.13 H.14 H.15 H.16 H.17 H.18 H.19 H.20 H.21 H.22

Honda 1300				
Year	Model	Front No.	Rear No.	Shoe No.
69. -70.	77,99,H1300	026		

Mobilio · Spike				
Year	Model	Front No.	Rear No.	Shoe No.
01.12-	GB1,GB2,GK1,GK2	259		S5524

Life · Life Dunk				
Year	Model	Front No.	Rear No.	Shoe No.
97.04-98.10	JA4	366		S0030
98.10-	JB1 Life	366		S5529
	JB2 Life	366		S5520
	JB3 Dunk	577		S5529
	JB4 Dunk	577		S5520
03.9-	JB5	366		S5541
	JB6	366		S5520
	JB7	640		S5541
	JB8	640		S5520
08.11-	JC1,2 turbo	640		S5541
	NA	192		S5541

Lagreat				
Year	Model	Front No.	Rear No.	Shoe No.
99.05-	RL1	-1300000		
		1300001-		

Rafaga				
Year	Model	Front No.	Rear No.	Shoe No.
93.10-	CE4	231	273	S5524
		261	273	

Legend				
Year	Model	Front No.	Rear No.	Shoe No.
85.11-	KA1	-1120000	177	178
		1120001-	213	178
	KA2		177	178
	KA3	-1201230	213	248
	KA3	1201231-	213	273
	KA4		213	178
	KA5,KA6	-1100000	213	248
90. -	KA5,KA6	1100000-	213	273
			261	278
	KA7,KA8		261	278
	KA9(-1200000)		261	278
04.10-	KA9(1200001-)	Excluding EURO,EURO EXCLUSIVE	261	278
		EURO,EURO EXCLUSIVE	445	278
04.10-	KB1,KB2		659	660

Logo				
Year	Model	Front No.	Rear No.	Shoe No.
96.08-	GA3	3Door(-1200000),5Door(-3200000)	147	S5528
		3Door(1200001-),5Door(3200001-) B,G,L,Sportic	147	S5528
	GA3	3Door(1200001-),5Door(3200001-) TS,Sportic TS	260	S5528
	GA5	5Door(-3000000)	147	S5520
	GA5	3Door(1000001-),5Door(3000001-)	260	S5520

1983 1984 1985 1986 1987 1988 1989 1990 1991 1992 1993 1994 1995 1996 1997 1998 1999 2000 2001 2002 2003 2004 2005 2006 2007 2008 2009 2010
S.58 S.59 S.60 S.61 S.62 S.63 H.01 H.02 H.03 H.04 H.05 H.06 H.07 H.08 H.09 H.10 H.11 H.12 H.13 H.14 H.15 H.16 H.17 H.18 H.19 H.20 H.21 H.22

CR-V				
Year	Model	Front No.	Rear No.	Shoe No.
95.10-	RD1,RD2	AT	357	S5524
		MT	261	S5524
01.08-	RD4		614	278
	RD5	MT,AT Without VSA	614	278
		AT With VSA	634	278
06.10-	RD6,RD7		634	278
	RE3,RE4		839	278

CR-X				
Year	Model	Front No.	Rear No.	Shoe No.
83.07-87.09	AE,AF,AS(-1200000)		074	S5518
		AS(1200001-)	193	S5518
87.07-92.03	EF6		074	S5518
			209	138
			213	138
92.03-	EG1 Without ABS ,EJ4		260	S5527
		EG1 With ABS,EG2	259	210

CR-Z				
Year	Model	Front No.	Rear No.	Shoe No.
10.02-	ZF1		840	273

HR-V				
Year	Model	Front No.	Rear No.	Shoe No.
98.10-	GH1,GH2		261	S5520
			261	S5524
	GH3,GH4			

MDX				
Year	Model	Front No.	Rear No.	Shoe No.
03.3-	YD1		359	

NSX · NSX-R				
Year	Model	Front No.	Rear No.	Shoe No.
90.09-	NA1,NA2		261	262

S2000				
Year	Model	Front No.	Rear No.	Shoe No.
99.04-	AP1,AP2		410	273

S-MX				
Year	Model	Front No.	Rear No.	Shoe No.
96.11-	RH1,RH2		261	S5524

Z				
Year	Model	Front No.	Rear No.	Shoe No.
98.10-	PA1		389	S5524

1983 1984 1985 1986 1987 1988 1989 1990 1991 1992 1993 1994 1995 1996 1997 1998 1999 2000 2001 2002 2003 2004 2005 2006 2007 2008 2009 2010
S.58 S.59 S.60 S.61 S.62 S.63 H.01 H.02 H.03 H.04 H.05 H.06 H.07 H.08 H.09 H.10 H.11 H.12 H.13 H.14 H.15 H.16 H.17 H.18 H.19 H.20 H.21 H.22

MAZDA ▶▶▶

Axela Sedan · Axela Sport					
Year	Model		Front No.	Rear No.	Shoe No.
03.09-06.05	BKEP,BK3P,BK5P		639	663	S3427
06.05-	BKEP,BK3P,BK5P NA		639	663	S3427
	turbo		795	663	S3427
09.06-	BLEAP,BLEAW,BLEFP,BLEFW,BL3FW,BL5FP,BL5FW NA		639	663	
	turbo		795	663	

Atenza Sedan · Sport					
Year	Model		Front No.	Rear No.	Shoe No.
02.03-	GGEP,GGES,GG3P,GG3S Excluding 18 inch		620	118	
	18 inch -05.05		621	118	
	18 inch 05.05-		665	666	
08.01-	GHEFP,GHEFS,GH5AP,GH5AS,GH5FP		841	118	
	GH5FS 25EX,25S		841	118	
	25Z		665	666	

Atenza Sport Wagon					
Year	Model		Front No.	Rear No.	Shoe No.
02.05-	GYEW,GY3W 2WD Excluding 18 inch		620	118	
	2WD 18 inch -05.05		621	118	
	2WD 18 inch 05.05-		665	666	
	4WD		621	118	
08.01-	GHEFW,GH5AW		841	118	
	GH5FW 25EX,25S		841	118	
	25Z		665	666	

Ixion					
Year	Model		Front No.	Rear No.	Shoe No.
99.04-	CP8WF 2WD		295		S3382
	CP8WF 4WD		295	118	
05.02-	CREW,CR3W		639	663	

Escape					
Year	Model		Front No.	Rear No.	Shoe No.
00.11-	EPEWF,EPFWF		575		S3382

Etude					
Year	Model		Front No.	Rear No.	Shoe No.
87.01-	BFSP		135		S3356
	BFMP		135	136	

Capella					
Year	Model		Front No.	Rear No.	Shoe No.
87.02-89.05	GD8P Excluding EGI,GD6P		296		S3373
	GD8P(EGI),GDFP,GD8S		296		S3372
	GDEP,GDEA,GD8S,GD8A,GD8B,GDEF,GDES,GDEB		296	290	
	GDER		296	118	
89.05-91.10	GD6P,GD8P,GDFP Gasoline DOHC, Diesel		296		S3373
	GD6P,GD8P,GDFP Gasoline SOHC		296		S3372
	GDEA,GDEB,GDEP,GDER,GDES,GD8A,GD8B,GD8R,GD8S 2WD		296	290	
	GDEA,GDEB,GDEP,GDER,GDES,GD8A,GD8B,GD8R,GD8S 4WD		296	118	
94.07-99.10	CG2PP,CG2SP,GF8P,GFEP,GFFP		295	294	S3386
	CG2SR,GFER		295	118	S3386
99.09-02.03	GF8P,GFEP		295	563	S3386
	GFER		295	118	

1983 1984 1985 1986 1987 1988 1989 1990 1991 1992 1993 1994 1995 1996 1997 1998 1999 2000 2001 2002 2003 2004 2005 2006 2007 2008 2009 2010
S.58 S.59 S.60 S.61 S.62 S.63 H.01 H.02 H.03 H.04 H.05 H.06 H.07 H.08 H.09 H.10 H.11 H.12 H.13 H.14 H.15 H.16 H.17 H.18 H.19 H.20 H.21 H.22

Caperacargo Wagon					
Year	Model		Front No.	Rear No.	Shoe No.
88.01-97.09	GV8W,GVFW,GVEW		296	290	S3375
	GVER -300000		296	118	
	GVER 300001-SV,SV-SF		296	118	
	GVER 300001-FX,CR		522	118	
97.10-99.09	GVFR		522	118	
	GW8W,GWEW		295	118	S3391
99.09-02.05	GWER,GVFW,GW5R		432	118	S3391
	GWEW,GW8W		295	118	S3382
	GWER,GW5R		432	118	S3382

Caperacargo Van					
Year	Model		Front No.	Rear No.	Shoe No.
88.01-	GVFV,GV6V		296	290	S3375

Carol					
Year	Model		Front No.	Rear No.	Shoe No.
89.10-92.07	AA5PA, AA6PA(2WD) NA,Turbo without ABS		316		S9931
	AA5PA, AA6PA(2WD) Turbo with ABS		222		S9931
	AA5RA, AA6RA(4WD)		339		S9928
92.07-95.10	AA6PA(2WD) NA Without ABS		316		S9931
	AA6PA(2WD) NA With ABS, turbo		222		S9931 *1
	AA6RA(4WD)		339		S9931 *1
	*1 With ABS MT				S0032
95.10-98.09	AC6P XG With ABS, XR		347		S9944
	AC6P XG With ABS, XR		222		S9944
	AC6R		347		S9944
98.10-	HB12S,HB22S,HB23S		387		S9959
04.09-05.02	HB24S		387		S9967
05.02-	HB24S		656		S9967

Clef					
Year	Model		Front No.	Rear No.	Shoe No.
92.04-	GEEPA,GE5PA		295	294	
	GESRA		295	118	

Cronos					
Year	Model		Front No.	Rear No.	Shoe No.
91.09-	GE8P,GEEP,GEFP,GE5P		295	294	
	GESR		295	118	

Cosmo					
Year	Model		Front No.	Rear No.	Shoe No.
75.10-81.03	CD3MC(-180000),CD23C(-220000),CD2VC,CD22C		107	108	
	CD3MC(180001-),CD23C(220001-)		107		
81.08-90.05	HBPHE,HBPHE,HBP8,HBP8S,HBSH,HBSN2,HBES,HB3S,HBEP		069		S3342
90.02-95.10	JC3SE,JCESE,JC3S,JCES		293	292	

Spiano					
Year	Model		Front No.	Rear No.	Shoe No.
02.02-04.10	HF21S turbo 900001-910000		387		S9959
	910001-		387		S9967
	HF21S(NA,2WD) 100001-110000		387		S9959
	300001-320000		387		S9959
	320001-		387		S9967
	HF21S(NA,4WD) 100001-110000		387		S9959
04.10-05.02	110001-		387		S9967
	HF21S		387		S9967
05.02-06.04	turbo		387		S9967
	NA		656		S9967
06.04-	HF21S		656		S9967

1983 1984 1985 1986 1987 1988 1989 1990 1991 1992 1993 1994 1995 1996 1997 1998 1999 2000 2001 2002 2003 2004 2005 2006 2007 2008 2009 2010
S.58 S.59 S.60 S.61 S.62 S.63 H.01 H.02 H.03 H.04 H.05 H.06 H.07 H.08 H.09 H.10 H.11 H.12 H.13 H.14 H.15 H.16 H.17 H.18 H.19 H.20 H.21 H.22

Scrum					
Year	Model	Front No.	Rear No.	Shoe No.	
90.02-91.08	DG51V,DH51V 4 speed Manual Transmission	557	S9932	S9919	
	DG51V,DH51V Excluding 4 speed Manual Transmission	557	S9932	S9923	
	DG51T,DH51T,DG51B	557	S9932	S9919	
91.09-	DL51V,DM51V -770000	557		S9943	
	DL51V,DM51V 770001-	557		S9952	
	DJ51T,DK51T MT -390000	557		S9919	
	DJ51T,DK51T MT 390001-	557		S9951	
	DJ51T,DK51T AT	557		S9943	
	DJ51B,DK51B	557		S9943	
99.01-	DG52V,DH52V,DG52W	558		S9962	
	DG52T With Aori ,DH52T Truck	558		S9951	
	DG52T Without Aori ,DH52T	558		S5524	
01.09-	DG62W,DG62V	558		S9962	
	DG62T Truck	558		S9951	
	DG62T Dump	558		S5524	
02.05-05.09	DG63T Truck	387		S9966 * 1	
	DG63T Dump	387		S5524	
05.09-	DG63T Truck	656		S9966 * 1	
	DG63T Dump	656		S5524	
	DG64V,64W	656		S9973 * 1	
	* 1 Developing				

Spectron					
Year	Model	Front No.	Rear No.	Shoe No.	
83.09-	SS8MF(-100096),SS8RF(-100836)	116		S3348	
	SS8MF(100097-),SS8RF(100837-), SSE8RF,28RF,F8WF,28MF	190		S3348	
	SSF8VF(-200372),SSF8WF(-150519),	116	Single Tire	S3348	
	SS48VF(-200188),SS8WF(-151352)	116	Double Tire	S3351 or S3348	
	SSF8VF(200373-),SSF8WF(150520-),SS28VF	190	Single Tire	S3348	
	SS48VF(200189-),SS8WF(151353-),SSE8WF,SSF8RF	190	Double Tire	S3351 or S3348	
90.01-	SSE8WF(250001-),SSE8RF(250001-),SSF8WF(400001-),SSF8RF(250001-)	190		S3348	
95.08-	SE88TF,SE28TF	190		S3351	

Sentia, MS-9					
Year	Model	Front No.	Rear No.	Shoe No.	
91.03-	HEEA,HEEP,HD5P,HD5S,HDEP,HDES	291	292		

Demio					
Year	Model	Front No.	Rear No.	Shoe No.	
96.07-	DW3W,DW5W	238		S3388 * 1	
	* 1 DW3W(-500000),DW5W(-300000) No ABS can be installed only			S3387	
02.06-	DY3W,DY5W,DY3R,DY5R	622		S3421	
07.07-	DE3AS,DE3FS	685			
	DE5FS SPORT	686			
	15C	685			

Telstar • Telstar II					
Year	Model	Front No.	Rear No.	Shoe No.	
87.04-89.05	GD6PE,GDFPF,GD8PF Excluding EGI	296		S3373	
	GD8PE,GDFPF,GD8PF EGI	296		S3372	
	GDEPF,GDEAF,GD8AF	296	290		
	GDERF	296	118		
89.05-91.10	GD8PF	296		S3373	
	GDFPF	296		S3372	
	GDEPF,GDEAF,GD8AF,GD8PF(2WD)	296	290		
	GDERF,GD8RF(4WD)	296	118		
	CG2PPE,CG2SPF,GEPPF,GEFPF,GE5PF	295	294	S3386	
91.10-	GE8PF,GFEP,GFEPF,GFFPF,GF8P,GF8PF	295	294	S3386	
	CG2RF,GESRF,GFER,GFERF	295	118	S3386	

Telstar Wagon					
Year	Model	Front No.	Rear No.	Shoe No.	
90.08-97.10	GVFWF,GV8WF,GVEWF	296	290		
	GVFRF	522	118		
90.08-94.11	GVERF	296	118		
94.11-97.10	GVERF 20i-x	296	118		
	GVERF 20i-x CANOA	522	118		
97.10-	GWERF,GVFWF,GW5RF	432	118	S3391	
	GWEWF	295	118	S3391	
	GW8WF -100488	295	118	S3391	
	100489-	295	118	S3399	

Tribute • Escape					
Year	Model	Front No.	Rear No.	Shoe No.	
00.10-	EPEW,EPEWF,EPFW,EPFWF,EP3W,EP3WF	575		S3382	

Biante					
Year	Model	Front No.	Rear No.	Shoe No.	
08.07-	CC3FW,CCEAW,CCEFW	639	663		

Familia					
Year	Model	Front No.	Rear No.	Shoe No.	
63.09-76.10	SSA,MSA,SPA,SPB,STA,STB,SPC,FA3PS,FA3TS,MPA,M10	003		S3307	
76.12-80.05	FA4TS,FA4US	031		S3307	
80.05-85.01	BD1031,BD1051	052		S3329	
84.11-87.02	BF3P	052	136	S3356	
	BF5P 2WD NA MT,2WD turbo,BF5S	135	136	S3356	
	BF5P 2WD NA AT -175411	135	136	S3356	
	BF5P 2WD NA AT 175412-	207	136	S3356	
	BF5R 4WD	160	136	S3356	
	BFMP 2WD -500000	135	136	S3356	
	BFMR 4WD -500000	160	136	S3356	
	BF7P NA MT -500000	135	136	S3356	
	BF7P NA AT -102297	135	136	S3356	
	BF7P NA AT 102298-500000	207	136	S3356	
86.12-89.02	BFTP	052	136	S3356	
	BFMS,BFSP,BFSR,BFMP,BFMR,BF7P	135	136	S3356	
89.01-91.01	BG3P,BG3S,BG5P,BG5S, BG6P,BG6S,BG6R,BG6Z,BG7P	238	136	S3373	
	BG8S,BG8R(-101129),BG8Z(-101879)	239	136	S3373	
	BG8P,BG8R(101130-),BG8Z(101880-)	239	234	S3373	
90.11-96.01	BG3P(-300930),BG3S(-301553),BG5P(-309861),BG5S(-305030),BG7P(-130435),BG6R,BG6Z	238	136	S3373	
	BG3P(300931-),BG3S(301554-),BG5P(309862-),BG5S(305031-),BG7P(130436-),BG6R,BG6Z	238	136	S3385	
	BG8P,BG8R,BG8S	239	136		
	BG8Z GT-X	239	136		
	BG8Z GT-R,GT-Ae	293	118		
94.03-	BHALP,BHALS	238	318	S3385	
	BHA5P,BHA5S,BHA6R,BHA7P,BHA7R,BHA8P,BHA8S	239	318	S3385	
98.04-00.09	BJ5P 2WD,BJ3P,BJEP	431	563	S3394	
	BJ5P 4WD	295	118	S3394	
00.09-03.10	BJ3P(300001-) MT	431	118	S3394	
	AT	431	563	S3394	
	BJ5P(300001-) LS 2WD MT	431	118	S3394	
	LS 2WD AT	431	563	S3394	
	LS 4WD	295	118	S3394	
	RS	295	563	S3394	
	BJ5P kai(300001-)	432	118	S3394	
	BJFP	295	563	S3394	

Familia Wagon, S Wagon

Year	Model	Front No.	Rear No.	Shoe No.
85.11-94.08	BW3W,BW5W,BW7W,BWMR	135	136	S3356
94.08-96.05	WFY10,WEY10 -508000 Without ABS	249		S1185
	WFY10,WEY10 -508000 With ABS	250		S1198
	WFNY10 -508000 Without ABS	250		S1170
	WFNY10 -508000 With ABS	250		S1198
96.05-	WFY10,WEY10 508001- Without ABS	328		S1185
	WFY10,WEY10 508001- With ABS	328		S1198
	WHY10,WHNY10,WFNY10 508001- Without ABS	328		S1170
	WHY10,WHNY10,WFNY10 508001- With ABS	328		S1198
99.05-00.09	WFY11 Without ABS	414		S1170
	WFY11 With ABS	414		S1198
	WHNY11	414		S1170
98.04-00.09	BJ5W(2WD)	431	563	S3394
	BJ5W(4WD),BJ8W	295	118	S3394
	BJFW 2WD	295	563	
	BJFW 4WD	295	118	
00.09-03.10	BJ5W S-F, Web tuned Type designation :10742	431	563	S3394
	BJ5W RS, Web tuned Type designation :09039	295	563	S3394
	BJ5W S4,@	295	118	S3394
	BJFW 2WD	295	563	S3394
	BJFW 4WD	295	118	S3394
07.01-	BV FY11,BVGY11,BVHNY11,BVY11	611		S1264

Familia Van

Year	Model	Front No.	Rear No.	Shoe No.
85.11-94.08	BF3V,BF5V,BF6M,BF7V	135	136	S3358
94.08-	VY10(-513000),MV FY10	249		S1185
	V FY10(-513000) Without ABS	249		S1185
	V FY10(-513000) With ABS	250		S1198
	VFNY10(-513000),VSNY10 Without ABS	250		S1170
	VFNY10(-513000),VSNY10 With ABS	250		S1198
	VS Y10 Without ABS	249		S1170
97.05-99.04	VS Y10 With ABS	250		S1198
	VY10(513001-)	250		S1185
	V FY10(513001-) Without ABS	250		S1185
	V FY10(513001-) With ABS	250		S1198
	VFNY10(513001-),VENY10(513001-)	250		S1170
	VEY10(513001-) Without ABS	250		S1170
	VEY10(513001-) With ABS	250		S1198
99.05-	VY11,V FY11,VEY11 Without ABS	414		S1170
	VY11,V FY11,VEY11 With ABS	414		S1198
	VHNY11,VENY11	414		S1170

Festiva

Year	Model	Front No.	Rear No.	Shoe No.
85.10-	DA1PF,DA3PF,DAJPF,ADA242	208		S3369
92.11-	D23PF,D25PF Without ABS	238		S3387
	D23PF,D25PF With ABS	238		S3388

Festiva Cargo

Year	Model	Front No.	Rear No.	Shoe No.
86.10-	DA3VF	208		S3369

Festiva Mini Wagon

Year	Model	Front No.	Rear No.	Shoe No.
96.07-	DW3WF,DW5WF ABS無 (Without ABS)	238		S3387
	DW3WF,DW5WF ABS付 (With ABS)	238		S3388

Freda

Year	Model	Front No.	Rear No.	Shoe No.
95.06-	SGEWF,SGE3F,SGLRF,SGLWF,SGL3F,SGL5F,SG5WF	363	292	

Premacy · Ixion

Year	Model	Front No.	Rear No.	Shoe No.
99.02-	CP8W,CPEW,CP8WF	295	118	S3382
05.02-	CREW,CR3W	639	663	

Friendee · Freda

Year	Model	Front No.	Rear No.	Shoe No.
95.04-	SGEW,WGEWF,SGE3,SGE3F,SGLR,SGLRF,SGLW,	363	292	
	SGLWF,SGL3,SGF3F,SGL5,SGL5F,SG5W,SG5WF	363	292	

Probe

Year	Model	Front No.	Rear No.	Shoe No.
88.05-92.09	1ZVBT,BT2,1ZVPT,PT	296	290	S3372
92.09-	1ZVCT22,CT22	295	294	

Proceed Marvie

Year	Model	Front No.	Rear No.	Shoe No.
89.11-	UF66M(-200260),UV66R	158		S3378
	UF66M(200261-),UV56R,UVL6R	321		S3378

Proceed Levante

Year	Model	Front No.	Rear No.	Shoe No.
95.01-97.11	TF11W(-100193),TF31W(-100229)	348		S9965
	TJ11W(-100642),TJ31W(-100718)	348		S9965
	TF11W(100194-),TF31W(100230-),TJ11W(100643-)	348		S9947
	TJ31W(100719-),TF51W,TJ51W,TJ61W	348		S9947
97.11-	TF52W,TJ52W	307		S9958
	TJ32W,TJ62W	348		S9958

Verisa

Year	Model	Front No.	Rear No.	Shoe No.
04.5-	DC5W,DC5R	622		S3421

Persona

Year	Model	Front No.	Rear No.	Shoe No.
88.11-92.01	MA8P,MAEP	296	290	S3372

Bongo					
Year	Model	Front No.	Rear No.	Shoe No.	
83.09-99.05	SE58T(-200000),SEF8T,SE48T	190	Single Tire	S3348	
		190	Dobule Tire	S3348orS3351	
	SE58T(-200000),SE28T,SE88T	190	Single Tire	S3348	
		190	Dobule Tire	S3351	
	SE28M,SE88M	190		S3350	
	SSE8R,SSE8W,SSF8R,SSF8W,SS28R,SS88R	190		S3348	
	SSF8V,SSF8W,SSV48V,SS88W,SS28H, SS28V,SS58V,SS88H	190	Single Tire	S3348	
		190	Dobule Tire	S3351	
	SS28M,SS88M	700001- Dobule Tire	190		S3351
		Excluding above	190		S3348
99.05-	SKF2L,SKF2M,SKF2T,SKF2,SK22L,SK22M, SK22T,SK22V,SK82L,SK82M,SK82T,SK82V	521		S3410	
07.08-	SK82L,82M,82T,82V,SKF2M,2T,2V	521		S3426	

Bongo Brawny				
Year	Model	Front No.	Rear No.	Shoe No.
83.05-99.06	SREAM,SRE9W,SRE9W	190		S3349
	SREAV,SRE9V,SR2AV,SR29V,SR89V,SDEAT,SD2AT,SD29T,SD5AM,SD5AT,SD59M, SD59T,SD89T,SRS9V,SR2AM,SR2AV,SR5AV,SR5AM,SR59V	190		Single Tire ...S3349
				Dobule Tire ...S3350
	SD2AM,SD2AT,SD29M, SD29T,SD89T	93.08- Dobule Tire	190	
	Excluding above	190		S3349
99.06-	SKE6T,SKE6V,SKFHM,SKFHV,SKF6M,SKF6V, SK5HM,SK5HV,SK54L,SK54V,SK56V,SK56M, SK56T,SK56V	363		Single Tire ...S3406
				Dobule Tire ...S3407
	SKE4T Truck ,SK54T	574		
	SKE4T,SK24L,SK24T,SK26L,SK26T	363		S3407
02-07.08	Single Tire Gasoline SKE6V -302351	363		S3406
	Single Tire Gasoline SKE6V 302351-	363		S3425
	Single Tire Diesel 2000cc	363		S3425
	Single Tire Diesel 2500cc SKFHM(-100003)	363		S3406
	Single Tire Diesel 2500cc SKF6M(-100043)	363		S3406
	Single Tire Diesel 2500cc SKF6V(-100108)	363		S3406
	Single Tire Diesel 2500cc SKFHM(100004-)	363		S3425
	Single Tire Diesel 2500cc SKF6M(100044-)	363		S3425
	Single Tire Diesel 2500cc SKF6V(100109-)	363		S3425
	Dobule Tire Gasoline SKE6V -302351	363		S3407
	Dobule Tire Gasoline SKE6V 302351-	363		S3426
	Dobule Tire Diesel 2000cc	363		S3426
	Dobule Tire Diesel 2500cc(SKF6V) -100108	363		S3407
	Dobule Tire Diesel 2500cc(SKF6V) 100109-	363		S3426
07.08-	SKE6V,SKF6V	363	Single Tire	S3425
		363	Dobule Tire	S3426

Eunos 100				
Year	Model	Front No.	Rear No.	Shoe No.
89.10-	BG5PE	238		S3373
	BG8PE -100301	239	136	
	BG8PE 100301-	239	234	

Eunos 300				
Year	Model	Front No.	Rear No.	Shoe No.
89.10-92.01	MA8PE,MAEPE	296	290	

Eunos 500				
Year	Model	Front No.	Rear No.	Shoe No.
91.12-94.02	CA8PE,CA8P,CAEPE,CAEP,CAPP	295	294	

1983 1984 1985 1986 1987 1988 1989 1990 1991 1992 1993 1994 1995 1996 1997 1998 1999 2000 2001 2002 2003 2004 2005 2006 2007 2008 2009 2010
S.58 S.59 S.60 S.61 S.62 S.63 H.01 H.02 H.03 H.04 H.05 H.06 H.07 H.08 H.09 H.10 H.11 H.12 H.13 H.14 H.15 H.16 H.17 H.18 H.19 H.20 H.21 H.22

Eunos 800, Millenia				
Year	Model	Front No.	Rear No.	Shoe No.
93.08-	TA3A,TA3P,TA3Y,TA3Z,TA5A,TA5P,TA5Y,TA5Z,TA5P	321	322	

Eunos Presso				
Year	Model	Front No.	Rear No.	Shoe No.
91.04-	EC5S,5SA,8S,8SE,ECPSA	Rear drum model	239	S3385
91.04-93.09	EC5S,5SA,8S,8SE,ECPSA	Rear disc model	239	234
93.09-	EC5S,5SA,8S,8SE,ECPSA	Rear disc model	239	136

Laputa				
Year	Model	Front No.	Rear No.	Shoe No.
99.03-03.08	HP11S,12S,21S,22S	387	531	S9959
03.09-04.12	HP22S	387	531	S9967
04.12-	HP22S	NA		S9967
	HP22S	turbo	387	531

Lantis				
Year	Model	Front No.	Rear No.	Shoe No.
93.06-95.07	CBA8P	239	318	
	CBAEP	293	318	

Luce				
Year	Model	Front No.	Rear No.	Shoe No.
81.10-86.09	HBPHE,HBPHE8,HBPS2,HBSN2,HBEJ,HBEJ,HBEJ,HBES,HB3S	069		S3342
86.07-	HCEP	-102502		S3342
	HCEP	102503-		S3374
	HCF5,HCSS,HC3S		187	188

Laser, Laser Lidea				
Year	Model	Front No.	Rear No.	Shoe No.
82.09-85.01	BF3PF,BE5PF	052		S3329
84.11-87.02	BF3PF	-200000	052	136
	BF5PF,BFMPF(-500000),BF7PF(-500000)		135	136
	BF5RF(-200000),BFMRP(-500000)		160	136
87.02-89.03	BF7PF	052		S3356
	BF5PF,BF5RF,BFMPF,BFMRP,BF7PF	135	136	S3356
89.03-91.01	BG3PF(-300000),BG5PF(-300000),BG6PF(-200000),BG6RF(-300000),BG7PF(-110000)	238	136	S3373
	BG8RF	-100224	239	136
	BG8RF	100225-300000	239	234
90.11-94.04	BG3PF(-300280),BG5PF(-302498),BG6RF,BG7PF(-110172)	238	136	S3373
	BG3PF(300281-),BG5PF(302499-),BG6RF,BG7PF(110173-)	238	136	S3385
	BG8RF(300001-),BG8PF	239	136	
94.04-	BHALPF,BHALSF,BHA3PF	238	318	S3385
	BHA5PF,BHA5SF,BHA6RF,BHA7PF,BHA7RF,BHA8PF,BHA8SF	239	318	S3394
98.04-	BJ5PF(2WD),BJ5WF(2WD),BJ3PF,BJEPF	431		S3394
	BJ5PF(4WD),BJ5WF(4WD),BJ8WF	295	118	

Laser Cabriolet				
Year	Model	Front No.	Rear No.	Shoe No.
86.01-89.02	BF5SF,BFMSF	135	136	

1983 1984 1985 1986 1987 1988 1989 1990 1991 1992 1993 1994 1995 1996 1997 1998 1999 2000 2001 2002 2003 2004 2005 2006 2007 2008 2009 2010
S.58 S.59 S.60 S.61 S.62 S.63 H.01 H.02 H.03 H.04 H.05 H.06 H.07 H.08 H.09 H.10 H.11 H.12 H.13 H.14 H.15 H.16 H.17 H.18 H.19 H.20 H.21 H.22

Laser Van				
Year	Model	Front No.	Rear No.	Shoe No.
85.11-	BF3VF,BF5VF,BF7VF	135		S3358
	BF6MF	135	136	

Revue				
Year	Model	Front No.	Rear No.	Shoe No.
90.08-	DB3	238		S3387
	DB5 -200692	238		S3387
	DB5 200693- Without ABS	238		S3387
	DB5 200693- With ABS	238		S3388

Roadster				
Year	Model	Front No.	Rear No.	Shoe No.
89.07-93.08	NA6CE	233	234	
93.08-98.01	NA8C	317	318	
98.01-00.06	NB6C,NB8C	317	318	
00.06-	NB6C NR-A	562	572	
	NB8C RS,RS-II,Mazda speed, turbo, Type A, Type S	562	572	
	Excluding above	317	318	
05.06-	NCEC	661	662	

AZ-1				
Year	Model	Front No.	Rear No.	Shoe No.
92.08-	PG6SA	316		289

AZ-3				
Year	Model	Front No.	Rear No.	Shoe No.
91.06-93.10	EC5SA,ECPSA Rear drum model	239		S3385
91.06-93.09	EC5SA,ECPSA Rear disc model	239	234	
93.09-93.10	EC5SA,ECPSA Rear disc model	239	136	

AZ Offroad				
Year	Model	Front No.	Rear No.	Shoe No.
98.10-	JM23W	094		S5524

AZ Wagon				
Year	Model	Front No.	Rear No.	Shoe No.
94.07-97.04	CY21S NA -110001	316		S9931
	CY21S NA 110002-	347		S9931
	CY21S turbo	222		S9931
	CZ21S NA -110001	316		S9944
	CZ21S NA 110002-	347		S9944
	CZ21S turbo	222		S9944
97.04-98.10	CY21S,51S,CZ21S,51S NA Without ABS	347		S9944
	CY21S,51S,CZ21S,51S NA With ABS, turbo	222		S9944
98.10-03.09	MD11S,MD12S,MD21S,MD22S	387		S9959
03.10-	MJ21S -3000000	387		S9967
	MJ21S turbo 3000001-4200000	387		S9967
	MJ21S NA 3000001-4200000	656		S9967
	MJ21S 4200001-	656		S9967
07.05-	MJ22S Including customstyle	656		S9967
08.09-	MJ23S Including customstyle	656		S9967

1983 1984 1985 1986 1987 1988 1989 1990 1991 1992 1993 1994 1995 1996 1997 1998 1999 2000 2001 2002 2003 2004 2005 2006 2007 2008 2009 2010
S.58 S.59 S.60 S.61 S.62 S.63 H.01 H.02 H.03 H.04 H.05 H.06 H.07 H.08 H.09 H.10 H.11 H.12 H.13 H.14 H.15 H.16 H.17 H.18 H.19 H.20 H.21 H.22

CX-7				
Year	Model	Front No.	Rear No.	Shoe No.
06.12-	ER3P	678 *1	679 *1	
	*1			

MPV				
Year	Model	Front No.	Rear No.	Shoe No.
89.11-91.08	LVEW	519		S3378
91.08-95.10	LVEW	521		
	LVEW	363	292	
95.10-99.05	LVEW,LVLR,LVLW,LV5W	363	292	
99.05-02.04	LWEW(-151107),LW5W(-202360)	433		S3402
	LWEW(151108-),LW5W(202361-)	433		S3411
02.03-	LWFW,LW3W	433	491	S3411
06.02-	LY3P	678 *1	679 *1	
	*1 Developing			

MS-6				
Year	Model	Front No.	Rear No.	Shoe No.
91.09-94.07	GE8P,GE8P,GEFP	295	294	
	GESR	295	118	

MS-8				
Year	Model	Front No.	Rear No.	Shoe No.
92.01-	MB5A,MB5P,MBEP	295	294	

MX-6				
Year	Model	Front No.	Rear No.	Shoe No.
91.11-	GEEB,GEES,GE5B,GE5S	295	294	

RX-7				
Year	Model	Front No.	Rear No.	Shoe No.
78.03-83.09	SA22C	015		
83.09-85.09	SA22C 300001- turbo	117	118	S3339
	SA22C 300001- NA	015	063	S3339
85.09-92.12	FC3S,FC3C	159	118	
91.09-02.08	FD3S	268	118	

RX-8				
Year	Model	Front No.	Rear No.	Shoe No.
03.04-	SE3P	602	571	

1983 1984 1985 1986 1987 1988 1989 1990 1991 1992 1993 1994 1995 1996 1997 1998 1999 2000 2001 2002 2003 2004 2005 2006 2007 2008 2009 2010
S.58 S.59 S.60 S.61 S.62 S.63 H.01 H.02 H.03 H.04 H.05 H.06 H.07 H.08 H.09 H.10 H.11 H.12 H.13 H.14 H.15 H.16 H.17 H.18 H.19 H.20 H.21 H.22

MITSUBISHI ▶▶▶

Year	Model	Front No.	Rear No.	Shoe No.
06.01-	HA1W	387		S1267

Outlander				
Year	Model	Front No.	Rear No.	Shoe No.
05.09-	CW5W,CW6W	584	435	

Airtrek				
Year	Model	Front No.	Rear No.	Shoe No.
01.06-05.09	CU2W(NA),CU4W,CU5W	584	636	S6723
	CU2W	246	636	

Eclipse				
Year	Model	Front No.	Rear No.	Shoe No.
89.09-90.01	D22A	309	100	
90.01-94.03	D22A	309	310	
89.09-92.07	D27A	309	100	
92.07-94.03	D27A	246	100	
95.02-99.06	D38A,D32A	309	203	
04.07-05.04	D53A	584	203	

Carisma				
Year	Model	Front No.	Rear No.	Shoe No.
96.06-98.09	DA2A	549		S6701
98.09-01.05	DA2A	549		S6733

Galant, Aspire, Eterna, Eterna Sava, Emerald					
Year	Model	Front No.	Rear No.	Shoe No.	
87.08-92.09	E31A	-89.09	083	S6674	
		89.09-	304	S6712	
	E32A	-89.09	180	S6669	
		89.09-	309	S6701	
		E32AR,E34AR	-89.09	180	S6687
87.08-92.09	E33A	-89.09	180	100	
		89.09- AMG	246	310	
	E34A	-89.09	180	S6669	
		89.09-	304	S6701	
	E35A	-89.09	180	310	
		89.09-	309	310	
	87.08-92.09	E37A	-89.09	180	100
			89.09-	309	100
		E38A	-89.09	180	100
			89.09-	246	100
E39A		-89.09	180	*1	
		89.09- Without turbo	309	*1	
		89.10- With turbo	246	*1	
		*1 -90.09		310	
*1 90.09-			100		
92.09-96.08		E52A,E53A,E57A,E64A		309	203
	-93.08		309	203	
	E54	93.08-	246or309	203	
			309	S6687	
92.09-96.08	E74	-93.11	246	264	
		93.11-	246	203or264	
	E84A	Sedan	246	264	
		Hardtop -92.06	246	264	
		Hardtop 92.06-	246	203	

1983 1984 1985 1986 1987 1988 1989 1990 1991 1992 1993 1994 1995 1996 1997 1998 1999 2000 2001 2002 2003 2004 2005 2006 2007 2008 2009 2010
S.58 S.59 S.60 S.61 S.62 S.63 H.01 H.02 H.03 H.04 H.05 H.06 H.07 H.08 H.09 H.10 H.11 H.12 H.13 H.14 H.15 H.16 H.17 H.18 H.19 H.20 H.21 H.22

Year	Model	Front No.	Rear No.	Shoe No.
96.07-05.12	EA1A,EA7A	309	203	S6701
	EA3A,EC3A	-00.04	246	203
		00.04-	584	203
	EC1A,EC7A	309	203	S6687
07.08-	CY4A	SPORT,SPORTS X,SPORT NAVI-PKG	246	264
		Excluding above	584	435
08.05-	CY4A	RALLIART EDITION	584	636
08.11-	CX4A (Sports Back)	RALLIART	246	435
		TOURING	584	636
		SPORT	584	435

Colt				
Year	Model	Front No.	Rear No.	Shoe No.
02.10-	Z21A,23A	-05.09	635	S6729
		05.09-	635	S1267
	Z22A,24A,25A,26A,28A		635	S6729
		Z27A	-04.09	635
06.05-	Z27AG	04.09-	652	303
		Rallart version R	669	670

Colt Plus				
Year	Model	Front No.	Rear No.	Shoe No.
04.10-	Z23W	-06.09 Rear drum model	635	*1
		-06.09 Rear disc model	652	303
		06.09-	635	303
	Z24W		635	S6729
	Z27W,Z27WG		652	303
	*1 -05.10 S6729 05.10- S1267			

Chariot, Chariot Grandis				
Year	Model	Front No.	Rear No.	Shoe No.
83.01-84.05	D02W	083		S6633
84.05-91.05	D02W	083		S6674
83.01-84.05	D03W	MX,MT	083	S6633
		MR turbo	075	S6636
84.05-91.05	D03W	075		S6669
83.01-91.05	D05W,D09W	075		S6669
83.01-86.04	D08W	ME 4WD, MF 4WD	075	S6636
		MT 4WD, Los Andes 4WD	075	S6685
		MF 2WD	075	S6636
86.04-91.05	D08W	ME 4WD, MF 4WD	180	S6636
		MT 4WD, Los Andes 4WD	180	S6685
		MF 2WD	180	S6636
83.01-84.12	D08W	Los Andes '88-Beach Boy, Los Andes ski design MT	075	S6636
		Los Andes '85	075	S6646
84.12-86.04	D08W	Los Andes '88-Beach Boy, Los Andes ski design MT	075	S6685
		Los Andes '85	075	S6685
86.04-91.05	D08W	Los Andes '88-Beach Boy, Los Andes ski design MT	180	S6685
		Los Andes '85	180	S6685
91.05-97.09	N33W,N34W,N38W		309	203
		Excluding 4G63 intercooler turbo	309	203
		4G63 intercooler turbo	246	203
		N44W,N48W	309	203
97.08-00.04	N84W,N94W	397	264	S6723
00.04-03.04	N84W,N94W	584	264	S6723
97.08-04.04	N86W,N96W	397	264	S6723
03.05-	NA4W	584	435	

1983 1984 1985 1986 1987 1988 1989 1990 1991 1992 1993 1994 1995 1996 1997 1998 1999 2000 2001 2002 2003 2004 2005 2006 2007 2008 2009 2010
S.58 S.59 S.60 S.61 S.62 S.63 H.01 H.02 H.03 H.04 H.05 H.06 H.07 H.08 H.09 H.10 H.11 H.12 H.13 H.14 H.15 H.16 H.17 H.18 H.19 H.20 H.21 H.22

Jeep				
Year	Model	Front No.	Rear No.	Shoe No.
79.11-99.06	J24,J27	S6616	S6615	S6616
	J37,J47	S6616	S6615	S6617
	J36,J44	S6616	S6616	S6617
	J54,J56,J57,J59	S6616	S6615	S6614
	J55		S6615	S6614
79.11-89.11	J53	S6616	S6615	S6614
89.11-93.06	J53		S6615	
93.06-99.06	J53		S6615	S6614

Starion				
Year	Model	Front No.	Rear No.	Shoe No.
82.04-90.03	A182A,A183A,A184A,A187A	082	033	

Strada				
Year	Model	Front No.	Rear No.	Shoe No.
90.05-97.05	K34T	183		S6664
96.12-99.04	K74T	246		S6718

Town Box				
Year	Model	Front No.	Rear No.	Shoe No.
98.11-	U61W,U62W,U63W,U64W	388		S6729

Town Box Wide				
Year	Model	Front No.	Rear No.	Shoe No.
99.04-00.10	U65W,U66W	388		S6723
00.10-01.05	U65W,U66W	Without ABS	388	S6729
		With ABS	388	S6723

Challenger				
Year	Model	Front No.	Rear No.	Shoe No.
96.06-01.08	K94W,94WG,96W,96WG,97WG,99W	246	548	

Diamante				
Year	Model	Front No.	Rear No.	Shoe No.
90.02-	F11A,F12A	309	203	
	F15A,F17A	246	203	
	F25A,F27A	246	264	
90.02-92.09	F13A	309	203	
92.09-94.11	F13A	25E	309	203
		25V,25V-SE	246	203
92.09-93.09	F13A	246	203	
93.09-94.11	F13A	309	203	
94.11-05.11	F31A,F31AK,F34A,F36A		246	203
		F41A,F46A,F47A	246	264

Diamante Wagon				
Year	Model	Front No.	Rear No.	Shoe No.
92.12-94.07	F07W	246	246	
94.08-96.10	F07W	Without ABS		
		With ABS	246	246
97.07-98.03	F36W			

Dion				
Year	Model	Front No.	Rear No.	Shoe No.
99.12-05.12	CR5W	584		S6723
	CR6W,CR9W	309		S6723

1983 1984 1985 1986 1987 1988 1989 1990 1991 1992 1993 1994 1995 1996 1997 1998 1999 2000 2001 2002 2003 2004 2005 2006 2007 2008 2009 2010
S.58 S.59 S.60 S.61 S.62 S.63 H.01 H.02 H.03 H.04 H.05 H.06 H.07 H.08 H.09 H.10 H.11 H.12 H.13 H.14 H.15 H.16 H.17 H.18 H.19 H.20 H.21 H.22

Debonair, Proudia, Dignity				
Year	Model	Front No.	Rear No.	Shoe No.
86.07-87.07	S11A	202	203	S6682
87.07-88.04	S11A		203	S6687
88.04-89.08	S11A	Carburetor model		203
	S11A	ECl model	202	203
89.08-	S11A	Carburetor model	202or309	203
	S11A	ECl model	309	203
86.07-87.07	S12A,S12AG	202	203	S6687
87.07-89.08	S12A,S12AG		203	S6687
89.08-92.07	S12A,S12AG	DOHC	246	203
	S12A,S12AG	SOHC	309	203
92.06-99.11	S22,S26,S27	246	264	
99.04-01.05	S32A,S33A,S43A	434	264	

Delica					
Year	Model	Front No.	Rear No.	Shoe No.	
80.05-94.03	L031P,L034P,L036P, L038P,L063P,L069P	-86.04	068	S6637	
		トラック (Truck)	86.04-	156	
		L039P	Low-flat floor	156	S6637
			High floor	156	S6664
		L039G		183	S6664
80.05-94.03	L031P,L032P,L033P,L035P,L036P		68	S6637	
		Van · Wagon	L035G,L037G,L038G,L038P,L063P,L068P	55	S6664
86.04-94.03	P01V,P03V,P07V,P013V,O017V		183	S6637	
		P02V,P05V	-88.07	183	
			88.07-Low-flat floor · Route Van	183	S6637
			88.07-Excluding above	183	S6664
		P03W,P04W,P05W,P06V,P15W		183	S6664
86.04-94.03	P12V	-90.07	183	S6664	
		90.07-	183	S6637	
		-90.07	183	S6664	
		90.07- GL High loof 4door	183	S6637	
		90.07- Excluding GL High loof 4door	183	S6664	
	P23V,P23W,P24W,P25V,P25W,P27V,P35W,P45V	183	S6686		
94.03-99.06	P02T,P05T		345	S6637	
		P13T,P15T	345	S6686	
		P25T(94.03- HNJT · HNJT1 · YHNJT1,95.05- YHNJT)	345	S6725	
		P25T	246	S6725	
94.03-06.12	PA3V,PA4W,PA5V,PA5W		345	S6715	
		PB4W,PB5V,PB5W,PB6W,PC4W,PC5W	345	S6718	
		PD4W,PD6W,PD8W,PE8W,PF6W,PF8W	246	257	
		PD5V(NLEJT · NLNDT · NLNJT · NSEUT)	345	S6721	
		PD5V Excluding above	246	S6721	
99.09-	SKE6V,SKF6M,SKF6V, SK56M,SK56V	Single tire -04.03	363	S3406	
		Single tire 04.03-	363	S3425 *1	
		Double tire -04.03	363	S3407	
		Double tire 04.03-	363	S3426 *1	
		SKF2L,SKF2M,SK22L,SK22M, SK22MM,SK22T, -04.03	521	S3410	
		SK22VM, SK82L,SK82M,SK82T,SK82V,SK82VM 04.03-	521	S3426 *1	
		SKF2V,SK22LM,SK22M,SK22TM,SK22V,SK82TM	521	S3410	
99.09-	SKF2T	Double tire 5MT 0.85t-1t	521	S3426 *1	
		Excluding above -04.03	521	S3410	
		Excluding above 04.03-	521	S3426 *1	
		Double tire 5MT 3-4 door aero roof 4 door high roof	521	S3426 *1	
		Excluding above -04.03	521	S3410	
	SKF2V Excluding above 04.03-	521	S3426 *1		
07.01-	CV5W D:5	584	435		
	*1 Developing				

1983 1984 1985 1986 1987 1988 1989 1990 1991 1992 1993 1994 1995 1996 1997 1998 1999 2000 2001 2002 2003 2004 2005 2006 2007 2008 2009 2010
S.58 S.59 S.60 S.61 S.62 S.63 H.01 H.02 H.03 H.04 H.05 H.06 H.07 H.08 H.09 H.10 H.11 H.12 H.13 H.14 H.15 H.16 H.17 H.18 H.19 H.20 H.21 H.22

Triton				
Year	Model	Front No.	Rear No.	Shoe No.
06.08-	KB9T	533		S6741 *1
	*1 Developing			

Tredia				
Year	Model	Front No.	Rear No.	Shoe No.
82.02-84.07	A211A GL,GX,GF	083		S6633
	A212A Excluding GT turbo,GSR turbo	083		S6633
	GT turbo,GSR turbo	075		S6633
	A213A SE,Super saloon	083		S6636
83.06-84.07	A213A GT-X turbo,Super Touring	075		S6636
84.07-87.11	A212A SX,SE,FX,Super saloon,Super saloon Extra	083		S6674
84.07-85.07	A213A GT-X turbo,Super Touring	075		S6669
84.08-87.01	A215A	083		S6674
84.08-86.05	A215G	075		S6636
86.05-87.11	A215G	180		S6636

Pajero Mini				
Year	Model	Front No.	Rear No.	Shoe No.
94.10-97.05	H51A,H56A	346		S6687
97.05-98.08	H51A,H56A	396		S6687
98.08-	H53A,H58A	396		S6723

Pajero-jr.				
Year	Model	Front No.	Rear No.	Shoe No.
95.10-96.11	H57A	346		S6687
96.11-98.04	H57A	396		S6687
98.06-07.06	H61W,62W,66W,67W,71W,72W,76W,77W	396	203	S6723

Pajero				
Year	Model	Front No.	Rear No.	Shoe No.
82.04-87.08	L041G,041GV,041GW,043G,043GV,043GW,	156	131	S6664
87.08-90.12	044GV,044GW,049GV,049GW,046GW,048GV,048GW,141GW,144GW,146GW,149GW	183	131	S6664
90.01-99.11	V14V,V24V,V34V	183	257	S6664
	V21W,23C,23W,24C,25C,25,26W,26C,26W,26WG,43W,45W,46V,46W,46WG,47WG	246	257	S6664
90.01-93.07	V24W,V44W,V24WG,V44WG Without ABS	183 *1	257	S6664
	V24W,V44W,V24WG,V44WG With ABS	246	257	S6664
	*1 92.04-93.06			
93.07-99.11	V24W,V44W,V24WG,V44WG	246	257	S6664
	V55WG,V55W	434	257	
99.06-07.03	V63W,65W,68W,73W,75W,77W,78W	434	435	
06.08-	V83W,V87W,V93W	434	435	
	V97W,V98W	623	253	

Minica • Minica Toppo BJ				
Year	Model	Front No.	Rear No.	Shoe No.
84.01-89.01	H11,12,13,14,15	095		S6670
88.11-98.08	H21,22,26,27,31,32,36,37	243		S6707
98.10-	H41A,42A,43A,44A,45A,46A,47A,48A,49A	388		S6726
	HA42V,47V Minica 01.01- Without ABS	552		S6726
	Excluding above	388		S6726
	BJ 00.11- Without ABS	552		S6726
	Excluding above	388		S6726
08.09-	H82A turbo	388		S6726
	Excluding turbo	552		S6726

1983 1984 1985 1986 1987 1988 1989 1990 1991 1992 1993 1994 1995 1996 1997 1998 1999 2000 2001 2002 2003 2004 2005 2006 2007 2008 2009 2010
S.58 S.59 S.60 S.61 S.62 S.63 H.01 H.02 H.03 H.04 H.05 H.06 H.07 H.08 H.09 H.10 H.11 H.12 H.13 H.14 H.15 H.16 H.17 H.18 H.19 H.20 H.21 H.22

Minicab • Bravo				
Year	Model	Front No.	Rear No.	Shoe No.
90.01-95.01	U41T,41V,42T,41TP,42TP,42V,43V,44V	538	000	S6707
95.01-99.08	U41T,41V,42T,41TP,42TP,42V,43V,44V	547	000	S6707
98.11-	U61T,61TP,61V,62T,62TP,62V	552	000	S6729
	U61W,62W,63W,64W	388		S6729
98.11-00.10	U65W,66W	388		S6723
00.10-	U65W,66W Without ABS	388		S6729
	U65W,66W With ABS	388		S6723

Mirage				
Year	Model	Front No.	Rear No.	Shoe No.
83.10-88.06	C11A,C12A,C14A,C18A	083		S6670
	C13A	180		S6674
86.08-89.09	C32V,34V,34W,37W	180		S6636
89.09-92.03	C32V,34V,34W,38W	304		S6701
87.01-89.09	C51A,52A,61A,62A,64A	083		S6670
	C53A,63A	180	100	
	C72A,74A	180		S6636
	C73A	180	223	
89.09-91.10	C51A,52A,61A,62A,64A	305		S6707
	C53A,63A	309	310	
	C72A,74A	304		S6701
	C73A	309	223	
87.01-91.10	C82A	305		S6701
	C83A	309	223	
91.10-96.08	CA1A,CA3A,CB1A,CB2A,CB3A,CB7A,CB8A	304	303	S6712
	CA2A Rear disc model	304	303	
	CA2A Rear drum model	305		S6712
	CA4A,CB4A,CB6A,CC4A,CD5A	309	303	S6712
	CB8AR,CB5AR	304	303	S6701
	CC3A,CD3A,CD7A,CD8A	304	303	S6687
	CD9A,CE9A	246		S6721
95.09-96.08	CJ1A,CJ2A,CK1A,CK2A,CK8A	304	303	S6712
96.08-00.08	CJ1A,CJ2A,CK1A,CK2A,CK8A	304	303	S6701
95.09-00.08	CK4A,CK6A,CM5A	309	303	
95.09-97.07	CL2A,CM2A,CM8A	304		S6687orS6723
97.07-00.08	CL2A,CM2A,CM8A	304		S6723
95.09-95.10	CJ4A	309	303	
95.10-00.08	CJ4A 14inch	309	303	
	CJ4A 14inch(98model-)	368	303	
	CJ4A 15inch	246	303	

Mirage Dingo				
Year	Model	Front No.	Rear No.	Shoe No.
98.11-00.11	Front CQ1A,CQ2A,CQ5A	309		
00.11-02.08	CQ1A,CQ2A,CQ5A	583		
98.11-99.11	Rear CQ1A,CQ2A,CQ5A			S6729
99.12-02.08	CQ2A 2WD,CQ1A,CQ5A			S6729
	CQ2A 4WD			S6723

Λ Hardtop, Σ Hardtop				
Year	Model	Front No.	Rear No.	Shoe No.
80.04-	A162	045	046	S6646
	A163,A166,A167,A164GSR<NA>,Royal	055	033	
	A164 GE turbo,GT turbo,GSR turbo	082	033	
84.10-86.06	E15A	075	100	S6669
86.06-86.09	E15A	180	100	S6669
86.09-	E15A,E17A,E18A	202	203	
88.01-	E13A	180		S6687

1983 1984 1985 1986 1987 1988 1989 1990 1991 1992 1993 1994 1995 1996 1997 1998 1999 2000 2001 2002 2003 2004 2005 2006 2007 2008 2009 2010
S.58 S.59 S.60 S.61 S.62 S.63 H.01 H.02 H.03 H.04 H.05 H.06 H.07 H.08 H.09 H.10 H.11 H.12 H.13 H.14 H.15 H.16 H.17 H.18 H.19 H.20 H.21 H.22

Lancer, Lancer Cedia				
Year	Model	Front No.	Rear No.	Shoe No.
79.03-87.10	A171,A172,A174	045	046	S6636
	A175 SE,GSR	045	046	
	A175 GT turbo,GSR turbo,GXL turbo	075	046	S6646
	A175 GT turbo intercooler,GSR turbo intercooler	082	033	
88.05-89.06	C63A	180	100	
89.06-89.09	C63A	180	310	
88.05-89.09	C61A,C62A,C64A	083		S6670
	C72A,C74A	180		S6636
	C73A	180	223	
89.09-91.10	C61A,C62A,C64A	305		S6707
	C63A	309	310	
	C72A,C74A	305		S6701
	C73A	309	223	
91.10-96.08	CC3A,CD3A,CD7A,CD8A	304	303	S6687
	CB8AR,CB5AR	304	303	S6701
	CA1A,CA3A,CB1A,CB2A,CB3A,CB7A,CB8A	304	303	S6712
	CA2A Rear disc model	304	303	S6712
	CA2A Rear drum model	305	303	S6712
	CA4A,CB4A,CB6A,CC4A,CD5A	309	303	S6712
95.08-96.08	CK1A,CK2A,CK8A	304	303	S6712
	CK1A,CK2A,CK8A	304	303	S6701
96.08-	CK1A,CK2A,CK8A	304	303	S6701
95.08-97.07	CM2A,CM8A	304	303	S6687orS6723
97.07-	CM2A,CM8A	304	303	S6723
95.08-	CK5AR,CK8AR	304		S6701
	CK4A,CK6A,CM5A	309	303	
	CN9A(Evolution IV)	246	264	
	CP9A(Evolution V,VI) 15inch	246	264	
	CP9A(Evolution V,VI) blemba cariper	370	330	
00.03-00.05	CS2A,CS5A	583		S6729
00.05-	CS2A,CS5A 2WD	583		S6729
	CS2A,CS5A 4WD	583		S6723
	CS5AR,CS5AR,CS6A	583		S6729
01.01-	CT9A(Evolution VII,VIII,IX) 15inch	246	264	
	CT9A(Evolution VII,VIII,IX) blemba cariper	370	330	
	CT9W blemba cariper	370	330	
07.10-	CZ4A(EvolutionX) blemba cariper	370	683	
	RS 15inch	246	378	

Lancer Cargo				
Year	Model	Front No.	Rear No.	Shoe No.
08.11-	CVAY12,CVJY12,CVY12	611		S1264
	CVZNY12			S1264

Lancer Fiore				
Year	Model	Front No.	Rear No.	Shoe No.
81.12-83.10	A155	043		S6633
	A156 EL,GL,MD Super shift	043		S6633
	A156 Excluding EL,GL,MD Super shift	017		S6633
83.10-88.06	C11A,C12A,C14A,C18A	083		S6670
	C13A	075		S6674

Lancer Van, Libero Cargo				
Year	Model	Front No.	Rear No.	Shoe No.
89.09-	C11V,C12V,C14V,C32V,C34V	305		S6701
92.04-	CB1V,CB2V,CB8V	304	303	S6701
	CD2V,CD8V	304		S6687
02.11-	CS2V	414		S6723

1983 1984 1985 1986 1987 1988 1989 1990 1991 1992 1993 1994 1995 1996 1997 1998 1999 2000 2001 2002 2003 2004 2005 2006 2007 2008 2009 2010
S.58 S.59 S.60 S.61 S.62 S.63 H.01 H.02 H.03 H.04 H.05 H.06 H.07 H.08 H.09 H.10 H.11 H.12 H.13 H.14 H.15 H.16 H.17 H.18 H.19 H.20 H.21 H.22

Lancer Wagon · Cedia Wagon · Libero Wagon				
Year	Model	Front No.	Rear No.	Shoe No.
85.01-89.09	C12W,C14W	083		S6669
86.08-89.09	C34W,C37W	180		S6636
89.09-	C34W,C37W,C12W,C14W	305		S6701
92.04-	CB2W,CB5W,CB8W	304	303	S6701
	CD5W,CD8W	309	364	S6687
00.08-01.04	CS5W	583	636	S6729 *1
01.05-03.01	CS5W NA	583	636	S6729 *1
	CS5W turbo	584	636	S6729 *1
	*1 4WD± S6723			S6723
03.01-	CS5W	584	636	

Legnum				
Year	Model	Front No.	Rear No.	Shoe No.
96.06-02.08	EA1W,EA4W,EA5W,EA7W,EC4W	309	203	S6701
	EC1W,EC7W	309	203	S6687
96.06-00.04	EA3W,EC3W	246	203	
00.04-02.08	EA3W,EC3W	584	203	
96.06-98.07	EC5W 4WD NA	309	203	
	EC5W 4WD turbo	246	264	
98.07-02.08	EC5W	246	264	

ek Wagon · ek Sport · ek Classy · ek Active				
Year	Model	Front No.	Rear No.	Shoe No.
01.10-06.08	H81W	388		S6726
06.08-07.08	H82W	388		S6726
07.08-	H82W ek Wagon	552		S6726
	ek Sports X,XS	552		S6726
	ek Sports R,RS	388		S6726

FTO				
Year	Model	Front No.	Rear No.	Shoe No.
94.09-00.08	DE2A	309	303	
	DE3A MIVEC engine	246	303	
	DE3A Excluding MIVEC engine	309	303	

GTO				
Year	Model	Front No.	Rear No.	Shoe No.
90.09-95.06	Z15A	302	301	
95.06-00.08	Z15A NA	263	264	
	Z15A turbo	302	301	
90.09-92.09	Z16A	263	264	
92.09-00.08	Z16A	302	301	

RVR				
Year	Model	Front No.	Rear No.	Shoe No.
91.01-97.03	N11W,N13W	309	203	S6701
	N21W,N28W	309	203	S6687
91.09-97.03	N23W,N23WG	309	203	
94.09-97.03	N23W,N23WG turbo	246	203	
97.07-02.08	N61W,N64WG,N71W,N73WG,N74WG	397	203	S6723

1983 1984 1985 1986 1987 1988 1989 1990 1991 1992 1993 1994 1995 1996 1997 1998 1999 2000 2001 2002 2003 2004 2005 2006 2007 2008 2009 2010
S.58 S.59 S.60 S.61 S.62 S.63 H.01 H.02 H.03 H.04 H.05 H.06 H.07 H.08 H.09 H.10 H.11 H.12 H.13 H.14 H.15 H.16 H.17 H.18 H.19 H.20 H.21 H.22

SUBARU ►►►

Alcione, SVX				
Year	Model	Front No.	Rear No.	Shoe No.
85.06-91.08	AX4,AX7,AX9	137	130	
91.09-96.11	CXW,CXD	306	237	

Impreza				
Year	Model	Front No.	Rear No.	Shoe No.
92.11-96.08	GC1,4,6,GF1,3,4,6,A	247	237	S7744
96.08-97.08	GC1,GC2 2 door	247	237	*1
	GC1,2,GF1,2 13inch	247	237	*1
	GC1,2,GF1,2 14inch	226	237	*1
	GF5,GF6	226	237	*1
97.08-98.08	GC1,2,GF1,2 Without ABS	247	237	*1
	GC1,2,GF1,2 With ABS	226	237	*1
	GF5,GF6	226	237	*1
98.08-	GC1,GC2 Without ABS	247	237	*1
	GC1,GC2 With ABS	226	237	*1
	GF1 Without ABS	247	237	*1
	GF1 With ABS	226	237	*1
	GF2,GF5	226	237	*1
GC8,GF8	Front No.			
	92.11-96.08 1POT	247		
	2POT	236		
	96.08- 1POT	226		
	2POT	349		
	4POT	351		
	Rear No.			
	92.11-97.08		237	
	97.08-98.08 1POT		237	
	2POT		365	
	98.08- 1POT		378	
	2POT		365	
	Shoe No.			
	*1 98.08- Without ABS			S7744
	With ABS			S7747
00.08-06.04	GD2,3	647		S7747
GD9,GG9	-02.10	580	378	
	02.10-	580	641	
GDA	F:2POT,R:1POT	580	378	
	F:4POT,R:2POT	351	365	
GDB	Excluding brems	351	365	
	brems	370	330	
GG2,3	04.05- 15is	580		S7747
	Excluding above -02.10	226	641	S7747
	02.10-	647	641	S7747
GGA	-02.10	580	378	
	02.10-	351	365	
	02.10-	370	330	
06.04-	GDA,GGA	351	365	
	GDB Excluding brems	351	365	
	brems	370 *1	330	
	GD2,3,GG2,3	647		S7747
	GDC,GGC,GGD Excluding Sporty pck	647		S7747
Sporty pack A,B	580	641		
*1 06.11- WRX sti spec C RA-R 682(brems 6POT)				
07.06-	GH2,3	647		
	GH7,8	580	641	
07.12-	GRB WRX sti(brems)	370	330	
09.07-	GE2,3 GH2,3 1.5i	647		
	GE6,7 GH6,7,8 2.0i,2.0i-s,2.0GT	580	655	

1983 1984 1985 1986 1987 1988 1989 1990 1991 1992 1993 1994 1995 1996 1997 1998 1999 2000 2001 2002 2003 2004 2005 2006 2007 2008 2009 2010
S.58 S.59 S.60 S.61 S.62 S.63 H.01 H.02 H.03 H.04 H.05 H.06 H.07 H.08 H.09 H.10 H.11 H.12 H.13 H.14 H.15 H.16 H.17 H.18 H.19 H.20 H.21 H.22

Vivio				
Year	Model	Front No.	Rear No.	Shoe No.
92.03-98.12	KK3,4,KW3,4,KY3	269		S7731

EXIGA				
Year	Model	Front No.	Rear No.	Shoe No.
08.06-	YA4,5	580	655	

Samber · Try · Dias				
Year	Model	Front No.	Rear No.	Shoe No.
90.03-92.09	KS3,KS4,KV3,KV4	377		S7743
92.09-98.12	KS3,KS4,KV3,KV4	377		S7750
99.01-	TT1,2,TV1,2	-04.07 Excluding Specifications porter	556	S9952
		-04.07 Specifications porter	555	S9952
	04.07-	651	S9952	
	TW1,TW2	-02.06	556	S9952
02.06-	577 *2	S9952		
*2	03 years after Diaz Mon 10 of the 566 strains are used car			

Justy				
Year	Model	Front No.	Rear No.	Shoe No.
84.02-88.11	KA5,6,7,8	071		S7728
88.01-94.04	KA5,6,7,8	553		S7728

Stella				
Year	Model	Front No.	Rear No.	Shoe No.
06.06-	RN1,2	387		S7756

Domingo				
Year	Model	Front No.	Rear No.	Shoe No.
83.09-94.	KJ5,6,8	10inch	071	S7713 or S7734
		12inch	071	S7724 or S7734
94.06-98.11	FA7,8	377		S7750

Traviq				
Year	Model	Front No.	Rear No.	Shoe No.
01.08-05	XM			

Forester				
Year	Model	Front No.	Rear No.	Shoe No.
97.02-02.01	SF5,SF9	Excluding STI version	349	378
		STI	351	378
01.11-03.01	SG5	580	378	S7747
03.02-07.11	SG5	580	641	S7747
04.02-07.11	SG9	370	330	
07.12-	SH5	580	655	

1983 1984 1985 1986 1987 1988 1989 1990 1991 1992 1993 1994 1995 1996 1997 1998 1999 2000 2001 2002 2003 2004 2005 2006 2007 2008 2009 2010
S.58 S.59 S.60 S.61 S.62 S.63 H.01 H.02 H.03 H.04 H.05 H.06 H.07 H.08 H.09 H.10 H.11 H.12 H.13 H.14 H.15 H.16 H.17 H.18 H.19 H.20 H.21 H.22

Legacy				
Year	Model	Front No.	Rear No.	Shoe No.
89.02-93.09	BC2,3,4,BCK,BCL,BCM,BF3,4,BFA	247	237	Sedan S7744 Wagon S7747
	BC5,BCA,BF5 TZ,VZ Air suspension,Brighton Excluding above	247 236	237 237	
	BF7,BFB	236	237	
	93.10-96.05	BD2,3,4,BG3,4,7,BGA,BGB	247	237
96.05-97.07	BD5,BG5 TS-R,TS-RV Limited,TX-S,Brighton Excluding above	247 236	237 237	S7747 S7747
	BD9,BG9,BGC	236	237	S7747
	BD2,3,4,BG2,3,4,BGA	226	237	S7747
97.07-98.11	BD5,9,BG5 TS-R,TS-R Limited,TX-S,Brighton Excluding above	226 349	237 237	S7747 S7747
	BG9,BGC	349	237	S7747
	BD2,3,4,BG2,3,4,BGA	226	237	S7747
	BD5,BG5 TX-S,Brighton	226	237	S7747
	TS-R 15inch	226	237	S7747
	TS-R 16inch	349	237	S7747
	Excluding above	349	237	S7747
98.06-03.04	BD9,BG9,BGC	349	237	S7747
	BES brembo car/iper	370	330	
	BEE,BE9	349	378	S7753
	BE5 Excluding RSK	349	378	
	RSK 01.05- BLITEN2003,S Edition	351	378	
	RSK 02.05- Limited	351	378	
	RSK 02.06- Limited II	580	378	
	RSK Excluding above	349	378	
	BHC,BHE, BH5,BH9 TX -02.04	226	378	S7753
	TX 02.04- Brighton	647 226	378 378	S7753 S7753
	GTB 01.05- S Edition	351	378	S7753
	GTB Excluding above	349	378	S7753
	S -02.01	349	378	S7753
	S 02.01- With VDC	349	378	S7753
	S 02.01- Without VDC	580	378	S7753
Excluding above	349	378	S7753	
03.01-08.05	BLE	632	378	
	BL5,BL9 2.0CNG,2.0i,2.0i Brighton,2.0i B-SPORT,2.0i-E,2.0ii, 2.0R,2.0Rii,2.0R spec-B,2.0i	580	655	
	BLI,2.0GT,2.0GTI,2.0GT SI-CRUISE	632	378	
	2.0GT spec-B (Fr:2POT)	632	378	
	2.0GT spec-B (brembo)	370	330	
	BPE Wagon	632	378	
	Outback -07.03	580	655	
	Outback 07.03- 3.0R	580	655	
	Outback 07.03- 3.0R SI-CRUISE	632	378	
	BP5 2.0GT CUSTOM,2.0i,2.0iB,2.0i B-SPORT,2.0i Brighton, 2.0i Casual-E,2.0i-E,2.0ii,2.0R,2.0RB,2.0R spec-B,2.5i	580	655	
	BLI,2.0GT,2.0GTI,2.0GT SI-CRUISE,3.0R,3.0R ADA,3.0R ADA-E,3.0RA, 3.0RA-E,3.0RA ADA,3.0RA ADA-E,3.0R-E,3.0R spec-B,3.0R SI-CRUISE	632	378	
	2.0GT spec-B (Fr:2POT)	632	378	
2.0GT spec-B (brembo)	370	330		
GT-LTD Check the current drive	632or580	378or655		
BP9	580	655		
08.05-	BL5,BP5 2.0i,2.0iCASUAL EDITION	580		
	2.0GT,2.0GT EYE SIGHT,2.0GT SPEC-B	632	378	
	BL9,BP9 2.5i	580	655	
	2.5i SI-CRUISE	632	378	
	BLE,BPE,BPH 2.5XT,2.5XT EYE SIGHT,3.0R EYE SIGHT	632	378	
S402 STI	682 *1	330		
	*1 brembo 6POT			

1983 1984 1985 1986 1987 1988 1989 1990 1991 1992 1993 1994 1995 1996 1997 1998 1999 2000 2001 2002 2003 2004 2005 2006 2007 2008 2009 2010
S.58 S.59 S.60 S.61 S.62 S.63 H.01 H.02 H.03 H.04 H.05 H.06 H.07 H.08 H.09 H.10 H.11 H.12 H.13 H.14 H.15 H.16 H.17 H.18 H.19 H.20 H.21 H.22

Plugin Stella				
Year	Model	Front No.	Rear No.	Shoe No.
09.07-		387		S7756 *1
	*1 Developing			

Pleo				
Year	Model	Front No.	Rear No.	Shoe No.
98.10-	RA1,RA2,RV1,RV2	390	288	S7731

Leone				
Year	Model	Front No.	Rear No.	Shoe No.
79.06-81.04	AF1,2,3,5. Rear drum model	110		S7711
79.06-81.04	AB2,3,4,5. Rear disc model	110	025	
81.04-84.06	AM1,2,3,5. Rear disc model	110	126	
84.06-94.03	AA2,4,AG4,AP2	137	130	S7729
	AA3,5,7,AG5,6,AL5,7,AP3,5	137	130	S7730

Rex				
Year	Model	Front No.	Rear No.	Shoe No.
81.08-86.10	KF1,KM1	071		S7722
	KM2	071		S7728
86.10-92.02	KG1,2,KH1,2,3,4,KN1,2,KP1,2,3,4	191		S7731

R1				
Year	Model	Front No.	Rear No.	Shoe No.
04.11-	RJ1,2	387		S7756 *1
	*1 Developing			

R2				
Year	Model	Front No.	Rear No.	Shoe No.
03.12-	RC1,2	387		S7756 *1
	*1 Developing			

1983 1984 1985 1986 1987 1988 1989 1990 1991 1992 1993 1994 1995 1996 1997 1998 1999 2000 2001 2002 2003 2004 2005 2006 2007 2008 2009 2010
S.58 S.59 S.60 S.61 S.62 S.63 H.01 H.02 H.03 H.04 H.05 H.06 H.07 H.08 H.09 H.10 H.11 H.12 H.13 H.14 H.15 H.16 H.17 H.18 H.19 H.20 H.21 H.22

SUZUKI ▶▶▶

Alto					
Year	Model	Front No.	Rear No.	Shoe No.	
84.09-	CA71V,72V,CB71S,72S Front disk model	061		S7728	
	CC71V,CC72V,CD72S	151		S9920	
88.09-	CL11V(without RS-X) Front disk model	316		S9931	
	CL11V(RS-X) Front disk model	222		S9931	
	CM11V(without RS-R) Front disk model	339		S9928	
	CM11V(RS-R) Front disk model	222		S9928	
	CN11S 2WD	316		S9931	
	CP11S 4WD	339		S9928	
90.02-	CL21V	316		S9931	
	CN21S	Excluding DOHC turbo 2ABS	316		S9931
		DOHC turbo Excluding 4ABS,2ABS	222		S9931
		DOHC turbo 4ABS	222		S0032
	CM21V	339		S9928	
	CP21S	Excluding DOHC turbo	339		S9928
		DOHC turbo Excluding 4ABS	222		S9928
		DOHC turbo 4ABS	222		S0032
	CL22V	316		S9931	
	CM22V	Excluding DOHC turbo -250000	339		S9928
		Excluding DOHC turbo 250001-	316		S9928
	CS22S *2	Excluding DOHC turbo	339		S9928
		DOHC turbo	222	311	
	CS22S *3	NA	316		S9928
		DOHC turbo	222	311	
CR22S *2	Excluding DOHC turbo	316 *1		S9931	
	DOHC turbo	222	311		
CR22S *3	NA	316		S9931	
	DOHC turbo	222	311		
	*1 3door 100001-250000 turbo, turbo le NAVI	222			
	*2 3door -250000, 5door -800000, Slidr door				
	*3 3door 250001-, 5door 800001-				
94.11-	HA11S,HB11S Excluding WORKS,HC11V,HD11V	347		S9944	
	HA11S,HB11S WORKS,HA21S,HB21S	222	311	S9944	
98.10-	HA12S,22S,12V	387	531	S9959	
	HA23V	Type designation 10856(-200127)	387		S9959
		Type designation 11366-12346(-800763)	387		S9959
		Type designation 10856(200128-),11366-12346(800764-)	387		S9967
	HA23S	Type designation 10855-12345 3door (-115211), 5door (-714997)	387		S9959
		Type designation 10855-12345 3door (115212-), 5door (714998-)	387		S9967
Type designation 10921(-901065),11362-12344(-871674)		387		S9959	
	Type designation 10921(901066-),11362-12344(871675-)	387		S9967	
04.09-	HA24S	E-G Special -135030	387		S9967
		E-G Special 135031-	656		S9967
		X 2WD -509892	387		S9967
		X 2WD 509893-	656		S9967
		X 4WD -135030	387		S9967
		X 4WD 135031-	656		S9967
	HA24V	-104000	387		S9967
		104001-	656		S9967

Alto Hustle				
Year	Model	Front No.	Rear No.	Shoe No.
91.11-	CL22V,CR22S 2WD	316		S9931
	CM22V,CS22S 4WD	339		S9928

1983 1984 1985 1986 1987 1988 1989 1990 1991 1992 1993 1994 1995 1996 1997 1998 1999 2000 2001 2002 2003 2004 2005 2006 2007 2008 2009 2010
S.58 S.59 S.60 S.61 S.62 S.63 H.01 H.02 H.03 H.04 H.05 H.06 H.07 H.08 H.09 H.10 H.11 H.12 H.13 H.14 H.15 H.16 H.17 H.18 H.19 H.20 H.21 H.22

Walk-Through Van				
Year	Model	Front No.	Rear No.	Shoe No.
87.01-	CA72V-AGWH-2	061		S7728

Escudo · Nomade				
Year	Model	Front No.	Rear No.	Shoe No.
88.05-90.	TA01R(-810000),TA01W(-830000),TA01V	308		S9934
90. -95.	TA01R(810001-830000),TA01W(830001-900000)	308		S9937
	TD01(-250000)	307		S9942
95. -	TA01R(830001-),TA01W(900001-)	308		S9937
	TD01 4door NOMAD 250001-	307		S9942
94.12-	TA11W,31W,51W,TD11W,31W,51W,61W	348		S9947
97. -	TA02W,52W,TD02W,52W	307		S9958
	TD32W,TD62W	348		S9958
	TL52W -150000	307		S9958
	TL52W 150001-	348		S9958
05.05-	TD54W,94W,TA74W	667		S9970 *1
08.06-	TDA4W,TDB4W	667		
	*1 Developing			

Every Plus, Every Landy				
Year	Model	Front No.	Rear No.	Shoe No.
99.06-	DA32W	559		S5524

Aerio				
Year	Model	Front No.	Rear No.	Shoe No.
01.01-	RA21S,RB21S,RC51S,RD51S	637		S0032

Cappuccino				
Year	Model	Front No.	Rear No.	Shoe No.
91.10-	EA11R,EA21R	179	311	

Cultus				
Year	Model	Front No.	Rear No.	Shoe No.
83.09-	AA41,AB41,AA43S,AA43V,AB43S(UR,AR,MR,ER),AB51,AA53S,AB53S(MR,GR)	121		S9927
	AA43S,AB43Sターボ (turbo),AA33S,53S,AB33S,53S(SR,DOHC,GT-I)	179		S9927
88.09-	AA44S,AB44S	240		S9933
	AH14S,AJ14S,AH64S,AJ64S(Esteem)	179		S0032
	AA34S	240	134	S9933
	AA34S Averi R,Re,1300g	240	134	S9933
	AA34S GT-i	164	134	S9933
	AF34S Averi Re,1300g,1300f	240	134	S0032
	AF34S GT-i	164	134	S0032
	AK34S Convertible	164		S9933
	AB34S Amenity G,Ge,1300g	240		S9933
	AB34S Esteem XL,XS,Koshino Hiroko LTD.	240		S0032
95.01-	GA11S Excluding 140001- With ABS	240	234	S0032
	GA11S 140001- With ABS	358	234	S0032
	GA21S,GB21S,31S,GC21S,21W,41W,GD21W,31S,31W	358	234	S0032

Cara				
Year	Model	Front No.	Rear No.	Shoe No.
92. -	PG6SS	316	289	

1983 1984 1985 1986 1987 1988 1989 1990 1991 1992 1993 1994 1995 1996 1997 1998 1999 2000 2001 2002 2003 2004 2005 2006 2007 2008 2009 2010
S.58 S.59 S.60 S.61 S.62 S.63 H.01 H.02 H.03 H.04 H.05 H.06 H.07 H.08 H.09 H.10 H.11 H.12 H.13 H.14 H.15 H.16 H.17 H.18 H.19 H.20 H.21 H.22

Carry, Every				
Year	Model	Front No.	Rear No.	Shoe No.
89.10-	DA41,DB41	557	S9932	S9919
90.02-	DA51T,DB51T,DA51B	557	S9932	S9919
	DA51V,DB51V DA51V 4speed manual transmission	557	S9932	S9919
	DA51V,DB51V Excluding DA51V 4speed transmission	557	S9932	S9923
	DC51T,DD51T MT -390000	557	S9932	S9919
	DC51T,DD51T MT 390001-	557	S9932	S9951
	DC51T,DD51T AT	557	S9932	S9943
	DC51B,DD51V	557	S9932	S9943
	DE51V,DF51V -770000	557		S9943
	DE51V,DF51V 770001-	557		S9952
	99.01-	DA52T,DB52T Excluding customized vehicles such as dump	558	
DA52T,DB52T Customized vehicles such as dump		558		S5524
DA52V,DB52V,DA52W		558		S9962
01.09-	DA62T 300001- Customized vehicles Excluding above	558		S5524
	DA62V,DA62W	558		S9962
02.05-	DA63T -380000	387		S9966
	380001-410000 Customized vehicles	656		S5524
	380001-410000 Excluding customized vehicles	656		S9966
	410001-560000	656		S9966
	560001- Customized vehicles	656		S5524
	560001- Excluding customized vehicles	656		S9966
05.08-	DA64V,DA64W	656		S9973
	DA65T	656		S9966

Grand Escudo				
Year	Model	Front No.	Rear No.	Shoe No.
00. -	TX92W	348		S9968

Chevrolet MW				
Year	Model	Front No.	Rear No.	Shoe No.
06.01-	ME34S 300001-	398		S9959

Chevrolet Cruze				
Year	Model	Front No.	Rear No.	Shoe No.
01.11-	HR51S,HR52S,HR81S,HR82S	559		S9959

Jimny				
Year	Model	Front No.	Rear No.	Shoe No.
81.05-	SJ30 1Model,2Model Front disc models	094		S9913
	SJ30 3Model,4Model	094		S9917
	JA51,JA71 Front disc models	094		S9917
	JA71 turbo Front disc models	094		S9921
90.02-	JA11C,JA11V	094		S9921
95.11-	JA12C,12V,12W,22W	094		S9921
98.01-	JB23W,33W	094		S5524

Jimny Sierra · Jimny Wide				
Year	Model	Front No.	Rear No.	Shoe No.
81.05-	SJ40 Front disc models	094		S9913
90.02-	JB31W	094		S9921
95.11-	JB32W	094		S9921
98.01-	JB43W	094		S5524

1983 1984 1985 1986 1987 1988 1989 1990 1991 1992 1993 1994 1995 1996 1997 1998 1999 2000 2001 2002 2003 2004 2005 2006 2007 2008 2009 2010
S.58 S.59 S.60 S.61 S.62 S.63 H.01 H.02 H.03 H.04 H.05 H.06 H.07 H.08 H.09 H.10 H.11 H.12 H.13 H.14 H.15 H.16 H.17 H.18 H.19 H.20 H.21 H.22

Swift · Swift Sport				
Year	Model	Front No.	Rear No.	Shoe No.
00.01-	HT51S	559		S9959
	HT81S	559	571	
04.11-	ZC11S,ZC21S,ZC71S	653		S9969
	ZD11S,ZD21S	653		S0032
	ZC31S	653	273	

Splash				
Year	Model	Front No.	Rear No.	Shoe No.
08.10-	XB32S	653		S2386

Cervo, Cervo Mode				
Year	Model	Front No.	Rear No.	Shoe No.
82.06-88.01	SS40C	061		S9907
88.01-	CG72V -918752	061		S7728
	CG72V 918753-	061		S9938
	CH72V(4WD) -903298	061		S9920
	CH72V(4WD) 903299-	061		S9940
90. -	CN21S Without ABS	316		S9931
	CN21S With ABS	222		S9931
	CP21S	339		S9928
	CN22S 100001-250000 Without rea ABS model	316		S9931
	CN22S 100001-250000 Rear ABS model	222		S9931
	CN22S 3 door 250001-370000,5 door 700001-870000 NA	316		S9931
	CN22S 3 door 250001-370000,5 door 700001-870000 turbo	222		S9931
	CN22S 3 door 370001-420000,5 door 870001-920000 NA	347		S9944
	CN22S 3 door 370001-420000,5 door 870001-920000 turbo	222		S9944
	CN22S 3 door 420001-,5 door) 920001	347		S9944
	CP22S 100001-250000	339		
	CP22S 3 door 250001-370000,5 door 800001-870000 NA	316		S9928
	CP22S 3 door 250001-370000,5 door 800001-870000 turbo	222		
	CP22S 3 door 370001-420000,5 door 870001-920000 NA	347		S9944
	CP22S 3 door 370001-420000,5 door 870001-920000 turbo	222		S9944
	CP22S 3 door 420001-,5 door 920001	347		S9944
06.11-	CN31S Without 4ABS	222		S9931
	CN31S With ABS	222		S0032
	CP31S Without 4ABS	222		S9928
	CP31S With ABS	222		S0032
	CN32S,CP32S	222	311	S9928
	HG21S	656		S9967

Palette				
Year	Model	Front No.	Rear No.	Shoe No.
08.01-	MK21S	656		S9967

Fronte				
Year	Model	Front No.	Rear No.	Shoe No.
84.09-	CB71S,CB72S	061		S7728
	CD72S	151		S9920
88.09-	CN11S 2WD	316		S9931
	CP11S 4WD	339		S9928

1983 1984 1985 1986 1987 1988 1989 1990 1991 1992 1993 1994 1995 1996 1997 1998 1999 2000 2001 2002 2003 2004 2005 2006 2007 2008 2009 2010
S.58 S.59 S.60 S.61 S.62 S.63 H.01 H.02 H.03 H.04 H.05 H.06 H.07 H.08 H.09 H.10 H.11 H.12 H.13 H.14 H.15 H.16 H.17 H.18 H.19 H.20 H.21 H.22

Mighty Boy				
Year	Model	Front No.	Rear No.	Shoe No.
83.02-	SS40T	061		S9907

Lapin				
Year	Model	Front No.	Rear No.	Shoe No.
02.01-	HE21S Type designation 11250	100001-140000	387	S9959
		1400001-	387	S9967
	HE21S Type designation 11365	300001-420000	387	S9959
		420001-	387	S9967
	HE21S Type designation 11642	900001-920000	387	S9959
		920001-950000	387	S9967
		950001-	656	S9967
	HE21S Type designation 12351	480001-519297	387	S9967
		519298-	656	S9967
	HE21S Type designation 12352	150001-161593	387	S9967
		161594-	656	S9967
	08.11-	HE22S	656	

Landy				
Year	Model	Front No.	Rear No.	Shoe No.
07.01-	SC25,SNC25	664	587	

Wagon R				
Year	Model	Front No.	Rear No.	Shoe No.
93.09-98.10	CT21S,51S,CV21S,51S NA without ABS	347 *1		S9944 *2
		222		S9944 *2
	*1 CT21S(-360000),CV21S(-150000)	316		
				S9931
	CV21S (-150000)			S9928
98.10-	MC11S,12S,21S,22S	387		S9959
03.09-	MH21S Type designation 11944,11945,12359	387		S9967
		656		S9967
	MH21S Type designation 12358 turbo RR-DI -840000	387		S9967
		656		S9967
	MH21S Type designation 12358 NA(-300000)	387		S9967
		656		S9967
MH21S Type designation 12751	656		S9967	
07.05-	MH22S Including Stingray	656		S9967
08.09-	MH23S Including Stingray	656		S9967

Wagon R Plus				
Year	Model	Front No.	Rear No.	Shoe No.
99.05-	MA63S	398		S9959

Wagon R Solio				
Year	Model	Front No.	Rear No.	Shoe No.
00.11-	MA34S,64S	398		S9959

Wagon R Wide				
Year	Model	Front No.	Rear No.	Shoe No.
96.12-	MA61S,MB61S	398		S9944

1983 1984 1985 1986 1987 1988 1989 1990 1991 1992 1993 1994 1995 1996 1997 1998 1999 2000 2001 2002 2003 2004 2005 2006 2007 2008 2009 2010
S.58 S.59 S.60 S.61 S.62 S.63 H.01 H.02 H.03 H.04 H.05 H.06 H.07 H.08 H.09 H.10 H.11 H.12 H.13 H.14 H.15 H.16 H.17 H.18 H.19 H.20 H.21 H.22

MR Wagon				
Year	Model	Front No.	Rear No.	Shoe No.
01.12-	MF21S	Type designation 11180(-140469)	387	S9959
		Type designation 11181(-531118)	387	S9959
		Type designation 11364(-354147)	387	S9959
		Type designation 11180(140470-163579)	387	S9967
		Type designation 11181(531119-)	387	S9967
		Type designation 11364(354148-409137)	387	S9967
		Type designation 12362(-409137)	387	S9967
		Type designation 12363(-163579)	387	S9967
		Type designation 11180(163580-)	656	S9967
		Type designation 11364(409138-)	656	S9967
		Type designation 12362(409138-)	656	S9967
06.01-	MF22S	Type designation 12363(163580-)	656	S9967
			656	S9967

Kei					
Year	Model	Front No.	Rear No.	Shoe No.	
98.10-	HN11S,12S,21S		387	531	
			387	531	
	HN22S	Front NA 643168-	656		
		Excluding above	387		
		Rear NA -620000, turbo -770000		531	S9959
	NA 620001-, turbo 770001-		531	S9967	

SX4				
Year	Model	Front No.	Rear No.	Shoe No.
06.07-	YA11S,41S,YB11S,41S,YC11S	585	273	S9983 *1
	*1 Developing			

X-90				
Year	Model	Front No.	Rear No.	Shoe No.
95.10-	LB11S	308		S9955

Twin				
Year	Model	Front No.	Rear No.	Shoe No.
03.01-	EC22S	-122797	387	S9959
		122798-	387	S9967

1983 1984 1985 1986 1987 1988 1989 1990 1991 1992 1993 1994 1995 1996 1997 1998 1999 2000 2001 2002 2003 2004 2005 2006 2007 2008 2009 2010
S.58 S.59 S.60 S.61 S.62 S.63 H.01 H.02 H.03 H.04 H.05 H.06 H.07 H.08 H.09 H.10 H.11 H.12 H.13 H.14 H.15 H.16 H.17 H.18 H.19 H.20 H.21 H.22

DAIHATSU ▶▶▶

Atrai, Hijet					
Year	Model	Front No.	Rear No.	Shoe No.	
98.12-00.04	S200P,S210P,S200C,S210C	395		S0029	
	S220G,230G,210V,220V,230V turbo	450		S0029	
	NA	452 * 1		S0029	
00.04-	S200P,S210P,S200C,S210C	395		S0038	
	S220G,230G,210V,220V,230V turbo	450		S0038	
	NA	452 * 1		S0038	
98.12-00.06	S220G,230G,210V,220V,230V Electric Vehicle	450		S0035	
00.06-	S220G,230G,210V,220V,230V Electric Vehicle	450		S0041	
	* 1 450 S220,230 RV14-inch wheel drive may be used.				
04.11-07.12	S200P,210P,320G,320V,320W,330G,330V,330W	395		S0038	
07.08-	S321G,321V,321W,331G,331V,331W	395		S0038	
07.12-	S201C,201P,211C,211P	395		S0038	

Atrai 7, Hijet Grand Cargo					
Year	Model	Front No.	Rear No.	Shoe No.	
98.12-04.11	S221V,S231V	450		S0041	
00.07-02.06	S221G,S231G	450		S0041	
02.06-04.11	S221G,S231G CL With ABS, X	660		S0041	
	Excluding above	450		S0041	

Applause					
Year	Model	Front No.	Rear No.	Shoe No.	
89.06-94.04	A101,A111	199	234	S0032	
94.04-	A101,A111		234	S0032	

Altis					
Year	Model	Front No.	Rear No.	Shoe No.	
00.03-01.09	SXV20	279	438	S2203	
	SXV25	376	168		
01.09-	ACV30	624	594		
	ACV35	624	168		
06.01-	ACV40	668	673		
	ACV45	668	594		

Esse					
Year	Model	Front No.	Rear No.	Shoe No.	
05.11-	L235S	388		S0027	
	L245S	388		S0030	

Opti					
Year	Model	Front No.	Rear No.	Shoe No.	
92.02-92.06	L300	216			
92.06-	L300 Front SUMITOMO Cariper	099			
	Akebono Cariper	216			
	L300 Rear		NBK	S0027	
			豊生	S0024	
92.02-	L310	099		S0025	
L800 Front					
98.11-02.08	L800 Aero Down Beex,Beex turbo	391			
	L800 CL,CX,Classic,Beex NA	388			
	L802	391			
	L810 Beex S,Aero Down Beex	391			
	L810 CL,CX,Classic,Beex	388			

1983 1984 1985 1986 1987 1988 1989 1990 1991 1992 1993 1994 1995 1996 1997 1998 1999 2000 2001 2002 2003 2004 2005 2006 2007 2008 2009 2010
S.58 S.59 S.60 S.61 S.62 S.63 H.01 H.02 H.03 H.04 H.05 H.06 H.07 H.08 H.09 H.10 H.11 H.12 H.13 H.14 H.15 H.16 H.17 H.18 H.19 H.20 H.21 H.22

Year	Model	Front No.	Rear No.	Shoe No.
L800 Rear				
98.11-01.09	L800 Aero Down Beex,Beex turbo			S0027
01.09-02.08	L800 Aero Down Beex,Beex turbo			S0037
98.11-02.08	L800 CL,CX,Classic,Beex NA			S0027
	L802			S0027*1
	L810 NA without ABS			S0020
	L810 turbo without ABS			S0037
	L810 All cars with ABS			S0036
	with ABS -99.08			S0036
	with ABS 99.09-			S0037

Coo					
Year	Model	Front No.	Rear No.	Shoe No.	
06.05-	M401S,402S	559		S2397	
	M411S	559		S0041	

Copen					
Year	Model	Front No.	Rear No.	Shoe No.	
02.06-	L880K	559		S0037	

Charmant					
Year	Model	Front No.	Rear No.	Shoe No.	
74.11-81.10	A10,A30 Van	004		S2203	
	A20,A40 Van	044		S2232	
81.10-87.07	A35,A55	050		S2203	

Charade					
Year	Model	Front No.	Rear No.	Shoe No.	
87.01-90.11	G100(-079826) GTXX	199	198		
	G100(-079826) TR,CX turbo	200		S0030	
	G100(-079826) TD,TL,TX,CG,CD,CX	201or242		S0030	
	G101(-034084)	201or242		S0030	
	G102(-045473) TR,CR	199		S0030	
	G102(-045473) TI,CI, KISSA, SG SX	200		S0030	
	G112(-005454)	200		S0032	
	G100(079827-)	199	198		
90.11-91.12	G100(079827-) TD,WIII S, KISSA AT	200		S0030	
	G100(079827-) TD,WIII S, KISSA MT	242		S0030	
	G101(034085-)	242		S0030	
	G102(045474-)	200		S0030	
	G112(005455-)	200		S0032	
	G100	199	198		
91.12-93.01	G100 GTXX	199	198		
	G100 WIII S, KISSA	200		S0030	
	G100 TD	242		S0030	
	S101,102	200		S0030	
G112	200		S0032		
93.01-93.10	G200S,G201,G203S	393	136	S0034	
	G213S	393	136	S0032	
93.10-96.08	G200S,G201,G203S	451	136	S0034	
	G213S	451	136	S0032	
96.08-97.09	G200S,G201,G203S	393	136	S0034	
	G213S	393	136	S0032	
97.09-00.05	G200S,G201,G203S Without ABS	393	136	S0034	
	G200S,G201,G203S With ABS	393	136	S0035	
	G213S	393	136	S0032	

1983 1984 1985 1986 1987 1988 1989 1990 1991 1992 1993 1994 1995 1996 1997 1998 1999 2000 2001 2002 2003 2004 2005 2006 2007 2008 2009 2010
S.58 S.59 S.60 S.61 S.62 S.63 H.01 H.02 H.03 H.04 H.05 H.06 H.07 H.08 H.09 H.10 H.11 H.12 H.13 H.14 H.15 H.16 H.17 H.18 H.19 H.20 H.21 H.22

Storia				
Year	Model	Front No.	Rear No.	Shoe No.
Front				
98.01-	M100,M110,M112(X4)	391		
98.01-01.12	M101,M111	391		
01.12-	M101,M111 CX	391		
	M101,M111 CZ	559		
Rear				
98.01-99.09	M100			S0036
99.09-02.01	M100			S0037
02.02-	M100			
98.01-02.01	M101			S0037
98.01-	M110 CL without ABS			S0020
	M110 Excluding CL without ABS,M111			S0036
	M112(X4)			S0020

Sonica				
Year	Model	Front No.	Rear No.	Shoe No.
06.07-	L405S	R	388	S0042
		Excluding R	618	S0042
	L415S	R	388	S0030
		Excluding R	618	S0030

Tanto				
Year	Model	Front No.	Rear No.	Shoe No.
03.11-05.06	L350S	L,X,X Limited without ABS	388	S0027
		L,X,X Limited with ABS	388	S0042
		R,RS	618	S0042
		L360S	618	S0030
05.06-07.12	L350S	L Full without ABS	388	S0042
		L Full with ABS	388	S0027
		X,X limited	388	S0042
		RS	618	S0042
		L360S	618	S0030
07.12-	L375S	RS	618	S0042
		L Without ABS	388	S0027
		L With ABS	388	S0042
		Excluding above	388	S0042
		L385S	618	S0043

Terios • Terios Kid • Terios Lucia				
Year	Model	Front No.	Rear No.	Shoe No.
97.03-99.12	J100G,102G,111G,122G,131G	394		S2333
99.12-05.10	J100G,102G,111G,122G,131G	-00.04 With ABS	394	S2333
		Excluding above	394	S2339
05.10-	J100G,102G,111G,122G,131G	394		S2339

Naked				
Year	Model	Front No.	Rear No.	Shoe No.
99.11-01.12	L750,L760 Front	turbo	391	
		NA	388	
99.11-01.12	L750 Rear	without ABS		S0040
		With ABS		S0037
01.12-03.12		NA without ABS		S0040
		NA With ABS, turbo		S0037 or (04496-97208-000)
99.11-01.12	L750 Rear	without ABS		S0020
		With ABS		S0036
01.12-03.12		NA without ABS		S0020
		NA With ABS, turbo		S0036

Pyzar				
Year	Model	Front No.	Rear No.	Shoe No.
96.08-	G301,G303		393	136
			393	
	G311,G313			S0032

Be-Go				
Year	Model	Front No.	Rear No.	Shoe No.
06.01-	J200G,J210G	394		S2339

Boon				
Year	Model	Front No.	Rear No.	Shoe No.
04.06-	M300S,M301S		618	S0042
			618	S0030
		M312S x 4	559	S0030

Boon Luminance				
Year	Model	Front No.	Rear No.	Shoe No.
08.12-	M502G	With VSC	644	S2389
		Without VSC	643	S2389
		M512G	644	S2389

Max					
Year	Model	Front No.	Rear No.	Shoe No.	
01.11-05.12	Front	L950 L,X L960 L,X	388		
		L950 R L960 R L952 L962	391		
	Rear	L950 Without ABS			S0040
		L960 Without ABS			S0020
	L960 With ABS, L962			S0036	
	L950 With ABS, L950 X,R DVS, L952			S0037	

Midget II				
Year	Model	Front No.	Rear No.	Shoe No.
96.03-01.07	K100		S0026	S0029

Mira, Cuore				
Year	Model	Front No.	Rear No.	Shoe No.
85.08-89.03	L70 Front disc models	099		S0024
89.03-95.01	L70 SUMITOMO Cariper	099		S0024
	L70 AKEBONO cariper	216		S0024
85.08-95.01	L71	099		S0025
90.03-95.01	L200,210,220 Front SUMITOMO Cariper	099		
	AKEBONO cariper	216		
91.05-95.01	RV4,TR-XX AVANZATO R	319		
90.03-95.01	L200,210,220 Rear	L200 NBK		S0027
		L200		S0024
		L210		S0025
		L220		S0024
94.08-95.11	L500 Front TS,TX,TG,TG-Ltd.,ModernoTL,TL-Ltd.	099		
	CS,CX,CL,CG,CG-Ltd.,ModernoCL,CL-Ltd.	216		
	TR-XX AVANZATO	319		
95.11-96.02	CL	099		
96.02-	CL	319		
95.11-96.04	TG-Ltd.,CG-Ltd.,ModernoTL,CL	099		
	ModernoTL-Ltd.,CL-Ltd. Without ABS	216		
	ModernoTL-Ltd.,CL-Ltd. With ABS	099		
	TR-XX AVANZATO	319		
96.04-98.08	NA Without ABS	099		
	NA With ABS	216		
		319		
94.08-98.08	L500 Rear Rear disc model		136	
	Rear drum models NA Without ABS			S0024
	Rear drum models turbo With ABS			S0027
94.08-98.08	L502 Front TR-XX X2,TR-XX AVANZATO R	319		
94.08-95.11	TV,CV,ModernoCX Excluding ADAPTABLE FOR COLD WEATHER Without ABS	099		
	TV,CV,ModernoCX ADAPTABLE FOR COLD WEATHER With ABS	216		
95.11-98.08	TV,CV,TR,CR,ModernoTX,CX Without ABS	099 *1		
	TV,CV,TR,CR,ModernoTX,CX With ABS	216 *1		
94.08-98.08	L502 Rear TR-XX X2,TR-XX AVANZATO R		136	
94.08-95.11	TV Excluding ADAPTABLE FOR COLD WEATHER			S0024
	TV ADAPTABLE FOR COLD WEATHER,CV,Moderno CX			S0027
95.11-98.08	TV,CV,TR,CR,ModernoTX,CX Without ABS		136	S0024
	TV,CV,TR,CR,ModernoTX,CX With ABS		136	S0027
94.08-96.08	L510 ABS無 Without ABS	216	136	S0025
	L510 ABS付 With ABS	216	136	S0029
94.08-	L512	319		S0025
	*1 319 may be used.	319		
98.10-	L700 Front Excluding turbo,GINO	395		
	turbo	391		
	GINO Excluding turbo	388		
98.10-01.09	L700,701 Rear			S0027 *2
01.09-	Excluding TV,safety pack,with ABSmodels			S0027
	TV,safety pack,with ABSmodels			S0037
*2 98.10-99.09	Sedan with ABS			S0036
	99.11-01.09 Sedan with ABS			S0037
	00.09-01.09 Safety pack models			S0037
98.10-01.09	L710,711 Rear			S0020 *3
01.09-	Excluding turbo,with ABS,edan NA			S0020
*3 98.10-00.03	Sedan with ABS,00.03-01.09 With ABS			S0036
	00.09-01.09 Safety pack models,01.09- turbo, with ABS, Sedan NA			
02.12-05.08	L250S,L250V R,RS AT Bench disk	618		S0027
	Excluding above	388		S0027
	L260S,L260V R AT Bench disk	618		S0030
	Excluding above	388		S0030

Year	Model	Front No.	Rear No.	Shoe No.
05.08-07.12	L250S,L250V	Bench disk	618	S0027
		Solid disk	388	S0027
	L260S,L260V	Bench disk	618	S0030
		Solid disk	388	S0030
06.12-	L275S,L277S		388	S0027
			388	S0043 *1
	L285S ミラカスタム			S0043 *1
		L275S,L277S Without VSC	388	S0027
		With VSC	618	S0027
	L285S	NA	388	S0027
		Without VSC	388	S0043 *1
		With VSC	618	S0043 *1
	NA	388	S0043 *1	
	*1 Developing			

Mira Cocoa				
Year	Model	Front No.	Rear No.	Shoe No.
09.08-	L675	388		S0027
	L685	388		S0043

Mira Gino				
Year	Model	Front No.	Rear No.	Shoe No.
02.12-04.10	L700S	Without turbo	388	*1
		With turbo	*3	S0037
	L701S		*3	S0037
	L710S	Without turbo	388	*2
		With turbo	*3	S0036
	L711S		*3	S0036
		*1 S0027 ABS with some of you may use the S0037.		
		*2 S0020 ABS with some of you may use the S0036.		
		*3 -03.08	391	
*3 03.08-	388			
04.11-05.12	L650S	L With 4wheel ABS	388	S0042
		L Without 4wheel ABS	388	S0027
		Excluding above	388	S0042
	L660S		388	S0030
05.12-	L650S	L With ABS,X	388	S0042
		L Without ABS	388	S0027
	L660S		388	S0030

Move				
Year	Model	Front No.	Rear No.	Shoe No.
L600系 FRONT				
95.08-96.04	L600,602,610	216		
96.04-98.09	L600,602,610 With turbo	319		
	L600,602,610 NA	216		
L600系 REAR				
95.08-98.08	L600,602			S0027
	L610 Without ABS 07.05-97.11 Z4			S0029
	Excluding above			S0025
	With ABS			S0029
L900系 Front				
98.10-02.09	L900S,902S,910S,912S Slid disk	388		
	L900S,902S,910S,912S Ventilated disk	391		
L900系 Rear				
98.10-99.08	L900S			S0024 *2
99.08-99.09	L900S			S0027 *2
99.09-01.09	L900S			S0040 *2
01.09-	L900S Without ABS			S0040
	L900S With ABS			S0037
*2	98.10-99.09 With ABS			S0036
	99.09- With ABS			S0037
	99.11-00.09 Custom 4AT			S0037
98.10-99.08	L902S			S0024 *3
99.08-99.09	L902S			S0027 *3
99.09-00.09	L902S			S0040 *3
00.09-	L902S			S0037
*3	98.10-99.09 With ABS			S0036
	99.09-00.09 With ABS			S0037
	99.04-99.09 Aero down custom-XX			S0036
	99.09-00.09 Aero down custom-XX			S0037
00.09-	Aero down custom-XX			S0040
98.10-00.09	L910S Without ABS			S0020
	L910S With ABS			S0036
00.09-01.09	L910S Aero down custom-XX			S0036
	L910S Without ABS Excluding Aero down custom-XX			S0020
	L910S With ABS Excluding Aero down custom-XX			S0036
01.09-	L910S Without ABS Excluding MD			S0020
	L910S With ABS ,MD			S0036
01.09-	L912			S0036
02.10-04.12	L150S L Without ABS	388		S0027
	L With ABS	388		S0042
	R 4AT with electronic control of the DVS	618		S0042
	R Excluding above	388		S0042
	X,Custom R,Custom X. Sloper SL	388		S0042
	L152S	618		S0042
	L160S L,X,Custom L,Custom X	388		S0030
	Custom R 4AT with electronic control of the DVS	618		S0030
	R,Custom R Excluding above	388		S0030
	R,Custom R Excluding above	618		S0030
04.12-05.08	L150S Move L Without ABS	388		S0027
	Move L With ABS	388		S0042
	Excluding Move L	388		S0042
	L152S	618		S0042
L160S	Custom RS	618		S0030
	Excluding Custom RS	388		S0030
	L150S L Without ABS	388		S0027
	L With ABS	388		S0042
	Excluding L	388		S0042
L152S		618		S0042
	L160S turbo	618		S0030
	NA	388		S0030

Year	Model	Front No.	Rear No.	Shoe No.
06.10-	(MOVE) L175S X,X Limited	388		S0042
	L Front Seat Lift With ABS	388		S0042
	L Front Seat Lift Without ABS	388		S0027
06.10-	(MOVE) L185S	388		S0043 *1
	(MOVE Custom) L175S RS With DVS	559		S0042
	RS Without DVS	618		S0042
	R Solid disk	388		S0042
	R Venchlated Disk	618		S0042
	X,X Limited	388		S0042
	L MOVE With ABS	388		S0027
	L MOVE With ABS	388		S0042
	L	388		S0042
	(MOVE Custom) L185S R,RS	618		S0043 *1
	L,X Limited	388		S0043 *1
DVS= Vehicle stability control system				
*1 (Developing)				

MOVE Conte				
Year	Model	Front No.	Rear No.	Shoe No.
08.08-	L575S Excluding RS	388		S0027
	RS	618		S0027
	L585S Excluding RS	388		S0043
	RS	618		S0043

Move Latte				
Year	Model	Front No.	Rear No.	Shoe No.
04.08-05.05	L550S RS,RS Limited,X	388		S0042
	L Without ABS	388		S0027
	L With ABS	388		S0042
	L560S	388		S0030
05.05-08.12	L550S L Without ABS	388		S0027
	L With ABS,COOL,COOL turbo,RS,X ,X Limited	388		S0042
	L560S COOL (turbo) ,RS	618		S0030
	COOL,X,X (Limited)	388		S0030

Leeza				
Year	Model	Front No.	Rear No.	Shoe No.
86.11-90.07	L100V Van	216		S0024
86.11-92.07	L100S TD,TS	216		S0027
	S1	216		S0024
86.11-90.09	L111S Front disk model			S0024
90.09-92.07	L111S Front disk model	216		S0024

YRV				
Year	Model	Front No.	Rear No.	Shoe No.
00.08-05.08	M200G	391		S0037
	M201G	NA	391	S0037
		turbo	559	
	M211G	391		S0036
	turbo	559		S0036

ISUZU ▶▶▶

Aska				
Year	Model	Front No.	Rear No.	Shoe No.
83.03-	JJ110,120,510	204		S4438
90.02-	BCK,BCL,BCM	236 or 247	237	S7744
94.05-	CJ1	231	273	S5520
97.02-02	CJ2	410	273	
	CJ3	261	273	

117Coupe				
Year	Model	Front No.	Rear No.	Shoe No.
69. -74.	PA90	005		S4410
74.11-76.	PA90	013		S4410
76. -81.	PA95,96	109	113	S4410

Gemini				
Year	Model	Front No.	Rear No.	Shoe No.
75. -80.05	PF50,60	003		S4426
80.05-	PD50,60,PF60	003		S4432
85.03-86.04	JT150,JT600	157		S4444
86.04-87.03	JT150 (Excluding turbo) ,JT600	157		S4444
	JT150 (turbo) ,JT190	204		S4444
86.04-90.02	JT150,JT190 (Excluding turbo), DOHC ,JT600	157		S4448
	JT150,JT190 (turbo) ,DOHC	204		S4448
90.02-93.	JT151,191,641	298	297	S4455
94. -	MJ1(-1200000) C/C (Rear disc model)	259	210	
	MJ1(-1200000) C/C (Rear drum model)	260		S5527
	MJ1(-1200000) G/G (Rear disc model) -1100000	260	210	
	MJ1(-1200000) G/G (Rear disc model) 1100001-	259	210	
	MJ1(-1200000) G/G (Rear drum model) MT	260		S5527
	MJ1(-1200000) G/G (Rear drum model) AT	260		S5520
	MJ1(1200001-) C/C (Rear disc model) (Driver's seat air bags)	259	210	S5520
	MJ1(1200001-) C/C (Rear disc model) (Driver's seat air bags)	260	210	S5520
	MJ1(1200001-) C/C (Rear drum model)	260		S5527
	MJ1(1200001-) G/G (Rear disc model)	259	210	
	MJ1(1200001-) G/G (Rear drum model) MT	260		S5527
	MJ1(1200001-) G/G (Rear drum model) AT	260		S5520
	MJ2(-1200000) (Without ABS)	260		S5520
	MJ2(-1200000) (With ABS) -1100000	260		S5520
	MJ2(-1200000) (With ABS) 1100001-	259		S5520
	MJ2(1200001-) (Without ABS)	260		S5520
	MJ2(1200001-) (With ABS)	259		S5520
	MJ3	260		S5527
97. -	MJ4,MJ5 (Without ABS)	260		S5527
	MJ4,MJ5 (With ABS)	260		S5520
	MJ6	259		S5520

Piazza				
Year	Model	Front No.	Rear No.	Shoe No.
84.04-91.	JR120 (turbo) ,JR130	204		
91. -	JT221	298	297	

Vehicross				
Year	Model	Front No.	Rear No.	Shoe No.
97.05-	UGS	314	315	

Bighorn				
Year	Model	Front No.	Rear No.	Shoe No.
86.11-87.06	UBS12,13,52,55	411		S4435
87.06-	UBS12,13,17,52,55	411	412	S4452
91.12-	UBS25,26,69,73	314	315	

1983	1984	1985	1986	1987	1988	1989	1990	1991	1992	1993	1994	1995	1996	1997	1998	1999	2000	2001	2002	2003	2004	2005	2006	2007	2008	2009	2010
S.58	S.59	S.60	S.61	S.62	S.63	H.01	H.02	H.03	H.04	H.05	H.06	H.07	H.08	H.09	H.10	H.11	H.12	H.13	H.14	H.15	H.16	H.17	H.18	H.19	H.20	H.21	H.22

Beret				
Year	Model	Front No.	Rear No.	Shoe No.
70. -74.	PR20,40,50,60,91,95	005		S4407

Mu, Wizard				
Year	Model	Front No.	Rear No.	Shoe No.
89.02-93.07	UCS17,UCS55	411	412	
93.07-	UCS69	314	315	
98.03-99.10	UER25,UWS25,73	443	444	S4462
99.10-01.07	UER25,UWS25,73	314	315	S4462
01.07-	UER25,UWS25,73		315	S4462

LEXUS ▶▶▶

IS250 · IS350				
Year	Model	Front No.	Rear No.	Shoe No.
05.08-	GSE20,25	675	625	
	GSE21	671	625	

IS250C				
Year	Model	Front No.	Rear No.	Shoe No.
09.04-	GSE20	675	625	

HS250H				
Year	Model	Front No.	Rear No.	Shoe No.
09.07-	ANF10	676	673	

IS-F				
Year	Model	Front No.	Rear No.	Shoe No.
07.12-	USE20	682	689	

GS350 · GS430 · GS450H · GS460				
Year	Model	Front No.	Rear No.	Shoe No.
05.08-	GRS191,196,URS190,UZS190	671	625	
06.03-	GWS191	671	625	

SC430				
Year	Model	Front No.	Rear No.	Shoe No.
05.08-	UZZ40	282	375	

LS460 · LS460L				
Year	Model	Front No.	Rear No.	Shoe No.
06.08-	USF40,41,45,46	680	681	

LS600H · LS600HL				
Year	Model	Front No.	Rear No.	Shoe No.
07.04-	UVF45,46	680	681	

RX350 · RX450H				
Year	Model	Front No.	Rear No.	Shoe No.
08.12-	GGL10W,15W,16W,GYL15W,16W	825	826	

1983	1984	1985	1986	1987	1988	1989	1990	1991	1992	1993	1994	1995	1996	1997	1998	1999	2000	2001	2002	2003	2004	2005	2006	2007	2008	2009	2010
S.58	S.59	S.60	S.61	S.62	S.63	H.01	H.02	H.03	H.04	H.05	H.06	H.07	H.08	H.09	H.10	H.11	H.12	H.13	H.14	H.15	H.16	H.17	H.18	H.19	H.20	H.21	H.22

ALFA ROMEO ▶▶▶

MODEL	TYPE	YEAR	TYPE	FRONT	REAR
MITO	1.4T SPORT	09.05-	ABA-955141	827	828
145	QUADRIFOGLIO -3170311	97.09-	E-930A5	421	423
	QUADRIFOGLIO 3170312-	01.01-	GF-930A534	421	752
147	2.0 TWIN SPARK SELESPEED	01.10-	GF-937AB	421	627
	2.0 TWIN SPARK	03.02-	GH-937AB	421	627
	1.6 TWIN SPARK	04.03-	GH-937BxB	421	627
	3.2 V6 24V GTA	03.05-	GH-937AXL	714	627
155	2.0 TWIN SPARK	93.01-	E-167A2A	424	423
	2.0 TWIN SPARK 16v	97.09-	E-167A2G	422	423
	2.0 Q4 LUCAS	93.01-	E-167A2E	422	423
	2.0 Q4 ATE	93.01-	E-167A2E	421	423
	2.5 V6 LUCAS	95.06-	E-167A1E	422	423
	2.5 V6 ATE	95.06-	E-167A1E	421	423
156	2.0 TWIN SPARK	98.05-	E-932A2	421	626
	2.5 V6 24v(Q)	98.05-	E-932A1	421	626
	2.0 TWIN SPARK	00.02-	GF-932A2	421	626
	2.5 V6 24v(Q)	00.02-	GF-932A1	421	626
	2.0 JTS	02.07-	GH-932AXA	421	627
	2.5 V6 24v(Q)	02.07-	GH-932AC	421	627
	3.2V6 24v GTA	02.07-	GH-932AXB	714	627
156	2.0 TWIN SPARK SELESPEED	00.08-	GF-932B2	421	627
Sports Wagon	2.5 V6 24v(Q)	00.08-	GF-932B1	421	627
	2.5 V6 24v(Q)	02.09-	GH-932BW	421	627
	2.0 JTS SELESPEED	02.09-	GH-932BXW	421	627
	3.2 GTA SELESPEED	03.11-	GH-932BxB	714	627
159	2.2 JTS	06.02-	93922S	801	802
	3.2 JTS Q4	06.02-	93932S	370	802
164	V6	90.02-	E-164	422	425
	QUADRIFOGLIO	90.11-	E-164AG	422	425
	L	92.02-	E-164	422	425
	L	93.06-	E-164B	422	425
	Super	93.06-	E-168B		
166	2.5 V6 24V	99.09-	GF-936A2	370	626
	3.0 V6 24V	99.09-	GF-936A1	370	626
	3.0 V6 24V Sportronic Excutive	04.07-	GH-936A11	370	626
Brera	2.2 JTS	06.04-	93922S	801	802
	3.2 JTS Q4	06.04-	93932S	370	802
GTV	2.0 *Fr Lucas Re Lucas	96.01-	E-916C2A	422	*1
	2.0 *Fr ATE Re Lucas	96.01-	E-916C2A	421	*1
	2.0 TWIN SPARK	04.07-	GH-91620G	421	*1
	3.0 V6 24V		E-916C1	714	*1
	3.0 V6 24V	01.01-	GF-916C1	714	*1
	3.0 V6 24V	03.07-	GH-916CXB	714	*1
GT	2.0 JTS Selespeed(Excusive)	04.06-	GH-93720L	421	627
	3.2 V6 24V	04.06-	GH-93732L	370	627
Spider	2.2 JTS	04.06-	93922S	801	802
	3.2 JTS	04.06-	93932S	370	802

* For the number is, it may differ from the above list, please note.

* Except for some models, with the sensor is not set so, please note.

* Relevant part of the check when the vehicles is described in models and MOT No Presents tell us, please contact us.

* The table -, or blank for the set confirmed, please understand beforehand because it is set or not.

*2 Number 423 or 752 or so in advance will shape, thank you a chaek from part genuine. 423 ⇒ Original No 60777601 752 ⇒ Original No 9947938

AUDI ▶▶▶

MODEL	TYPE	YEAR	TYPE	FRONT	with SENSOR	REAR	
A3	1.8T	98-99	AGU	326	SF326	335	
		01-03	AUQ	326	SF326	335	
	1.8T Quattro	00	AQA	326	SF326	335	
	2.0 FSI	04	AXW	769	SF769	791	
		05-	BLX / BLR / BVY	769	SF769	791	
	3.2 Quattro	04	BDB	769	SF769	791	
05-		BMJ / BUB	769	SF769	791		
A3 Sportback	1.4 TFSI	09-	CAX	769	SF769	791	
	Attraction	07-	BSE	769	SF769	791	
	1.8 TFSI	07-	BYT/BZB/CDA	769	SF769	791	
	2.0 FSI	05-	BLX / BLR / BVY	769	SF769	791	
	2.0 TFSI	05-	AXX / BWA	769	SF769	791	
	2.0 TFSI Quattro	09-	CCZ	769	SF769	791	
	3.2 Quattro	05-	BMJ / BUB	769	SF769	791	
A4	1.8T	07-	BFB	326a	SSM326a	335a	
		1.8T Quattro	96-98	AEB	326a	SSM326a	425
			99-01	APU	326a	SSM326a	425
		02-	AMB	326a	SSM326a	335a	
	2.0	02-05	ALT (B6)	326a	SSM326a	335a	
		05	ALT (B7)	326a	SSM326a	335a	
	2.0 TFSI Quattro	05-	BGB / BWE	795	SSM795	791	
	2.4 V6	98	AGA	326a	SSM326a	335a	
		99-01	APS	326a	SSM326a	335a	
		02-	BDV	326a	SSM326a	335a	
	2.4 V6 Quattro	98	AGA	326a	SSM326a	425	
		99-01	APS	326a	SSM326a	425	
	2.8 V6 Quattro	98-99	ACK	326a	SSM326a	425	
	3.0 V6 Quattro	02-05	ASN	326a	SSM326a	335a	
3.2 FSI Quattro	05-08	AUK	795	SSM795	791		
A5	3.2 FSI Quattro	08-	CAL				
A6	2.4 V6 FWD	97-99	AGA	326a	SSM326a	335a	
		99-01	APS	326a	SSM326a	335a	
		02-04	BDV	326a	SSM326a	335a	
		05-	BDW	326a	SSM326a	791	
	2.4 V6 Quattro	97-99	AGA	326a	SSM326a	335a	
		99-01	APS	326a	SSM326a	335a	
	2.7T	01	AZA	326a	SSM326a	335a	
		02	ARE	797	SSM797	335a	
		03-04	BES	797	SSM797	335a	
	2.8 V6 Quattro	96-99	ACK	326a	SSM326a	425	
		99-01	APR	326a	SSM326a	335a	
3.0 V6 Quattro	02-04	ASN	326a	SSM326a	335a		
3.2 FSI Quattro	05-	AUK	795	SSM795	791		
TT	1.8T FWD	01-05	AUQ	326	SF326	335a	
		06-	BVR	326	SF326	335a	
	1.8T Quattro	00	APX	326	SF326	335a	
		01-03	BAM	326	SF326	335a	
	Quattro Sport	05-06	BFV	326	SF326	335a	
	2.0 TFSI	07-	BWA	769	SF769	791	
	2.0 TFSI Quattro	08-	CCZ	769	SF769	791	
	TTS 2.0 TFSI Quattro	08-	CDL	769	SF769	791	

MODEL	TYPE	YEAR	TYPE	FRONT	with SENSOR	REAR
TT	3.2 Quattro	04-06	BHE	704	SF704	335a
		07-	BUB	795	SF795	791
ALLROAD	2.7T	01-02	ARE	797	SSM797	335a
		03-05	BES	797	SSM797	335a
	Quattro 3.2 FSI	06-	AUK	797	SSM797	335a
	Quattro 4.2	04-05	BAS	797	SSM797	335a
	Quattro 4.2 FSI *1	06-	BVJ	797	SSM797	335a
S3	1.8T Quattro	01	AMK	326	SF326	335a
		02-03	BAM	326	SF326	335a
S4	4.2 V8	04-05	BBK (B6)	795	SSM795	799
		05-	BBK (B7)	795	SSM795	799
RS4	2.7T	01-02	AZR / ASJ	704	SSM704	335a

* 4 on one side of the caliper pad specification sheet is configured.

BMW ►►►

MODEL	TYPE	YEAR	TYPE	FRONT	REAR
1 series					
	116i	04.09-	UF16/UE16	792	793
	118i	04.09-	UF18	792	793
	120i	04.09-	UF20/UD20	792	793
				805a	
	130i	05.10-	UD30	805a	803
	135i	08.03-	UC35	836	837 *2
3 series					
	318i	82-91		382	-
	320i	82-91		382	596
	323i	82-91		382	596
	325i	82-91		382	596
	318i	91.09-	E-CA18	384	383
	318ti Compact	94.11-	E-CG18/E-GC19	384	383
	318ti Compact M	97.04-	E-CG19	384	383
	318is Coupe	93.11-	E-BE18/E-BE19	384	383
	320i	91.09-	E-CB20	384	383
	320i Coupe	92.05-	E-BF20	384	383
	323i	96.02-	E-CB25	384	383
	323i Coupe	96.02-	E-CB25	384	383
	325i	91.09-	E-CB25	384	383
	325i Coupe	92.05-	E-CB25	384	383
	328i	95.03-	E-CD28	384	383
	328i Coupe	95.03-	E-BF28/E-CD28	384	383
	328i Convertible	95.03-	E-BK28	384	383
	316ti compact	01.10-		384a	739
	316ti M-sports	02.05-	GH-AT18	384a	739
	318i	98.09-	GF-AL19/GH-AL19/GH-AY20	384a	739
	318i touring (M)	99.11-	GF-AL19/GH-AY20	384a	739
	318i M-sports	99.12-	GF-AL19/GH-AL19/GH-AY20	384a	739
	318Ci (M)	01.01-	GH-AL19/GH-AY20	384a	739
	318ti M-sports	02.05-	GH-AU20	384a	739
	318ti compact	01.10-		384a	739
	320i	99.06-	GF-AM20	384a	739
	320i M-sports	99.12-	GF-AM20/GH-AV22	384a	739

MODEL	TYPE	YEAR	TYPE	FRONT	REAR
E46	320i	01.01-	GH-AV22	384a	739
	323i	98.10-	GF-AM25	384a	739
	323i M-sports	99.12-	GF-AM25	384a	739
	325i	01.01-	GH-AV25	384a	739
	325i M-sports	01.01-	GH-AV25	384a	739
	325i touring (M)	00.10-	GH-AV25	384a	739
	328i	98.10-	GF-AM28	384a	739
	328Ci	99.11-	GF-AM28	384a	739
	328i touring	99.11-	GF-AM28	384a	739
	328i M-sports	99.12-	GF-AM28	384a	739
	330i	00.08-	GH-AV30	386a	738a
	330Ci	01.01-	GH-AV30	386a	738a
	330i M-sports	00.08-	GH-AV30	386a	738a
	330Ci Convertible(M)	00.08-	GH-AV30	386a	738a
	330xi	01.01-	GH-AV30	386a	738a
330Ci club sports	02.06-	GH-AV30	386a	738a	
E90 (Sedan)	320i	05.04-07.02	VA20		793
		07.03-		805a	803
	323i	05.04-07.02	VB23	805	803
		07.03-		835b	803
	325i	05.04-	VB25	805	803
		07.03-		835b	803
	330xi	05.04-	VD30	805	741a
	335i	06.10-07.02	VB35	835b	741a
07.03-			835	741a	
E91 (Touring)	320i	05.10-07.02	VR20	805	803
		07.03-			803
	325i	05.10-07.02	VS25	805	803
		07.03-		835b	803
335i	05.10-	VS35	835b	741a	
	07.03-		835	741a	
E92 (Coupe)	320i	07.05-	WA20	805a	741a
		335i	06.09-07.02	WB35	835b
	07.03-			835	741a
E93 (Convertible)	335i	06.09-07.02	WL35	835b	741a
07.03-		835	741a		
5 series					
E34	520i	90.09-	E-HB20	386	385
	525i	90/09-	E-HD25	386	385
	525i touring	92.04-	E-HD25	386	385
	530i	93.04-	E-HE30	386	385
	535i	90.09-	E-H35	386	385
	540i	93.04-	E-HE40	386	385
	540i touring	94.03-	E-FE40	386	385
E39	525i	96.07-	E-DD25	386a	739a
	525i (Hi-Line)	98.10-	GF-DM25	386a	739a
	525i M-sports	99.11-	GF-DM25	386a	739a
	525i (M-sports)(Hi-Line)	00.11-	GH-DT25	386a	739a
	525i touring(Hi-Line)	00.11-	GH-DS25/GH-DS25A	386a	739a
	528i	96.07-	E-DD28	386a	739a
	528i touring	97.04-	E-DD28A	386a	739a
	528i touring(Hi-Line)	98.10-	GF-DP28	386a	739a

MODEL	TYPE	YEAR	TYPE	FRONT	REAR
	528i (Hi-Line)	98.10-	GF-DM28	386a	739a
	530i (M-sports)(Hi-Line)	00.11-	GH-DT30	702	739a
	530i touring(Hi-Line)	00.11-	GH-DS30	702	739a
	540i	97.01-00.03	E-DE44	702	739a
		00.03-		702	739a
	540i(Hi-Line)	98.10-	GF-DN44/GH-DN44	702	739a
540i M-sports	99.11-	GF-DN44/GH-DN44	702	739a	
E60	525i	03.08-05.05	NA25	835b	741
		05.06-07.06	NE25	771	741
		07.06-	NU25	805	741
	530i	03.08-07.06	NA30	835b	741
		07.06-	NE30	771	741
	540i	05.11-	NB40	771	784
	545i	03.08-	NB44	771	784
	550i	05.11-	NB48	771	784
E61	525i	04.06-05.05	NG25	805	741
		05.06-	NL25/PU25	771	741
	530i	05.06-	NL30	771	741
		06.10-	NH48	771	784
6 series					
E63	645Ci	03.10-	EH30	771	741
E64	645Ci Cabriolet	03.10-05.09	EH44/EK44	771	784
	650i	05.10-	EH48/EK48	771	784
7 series					
E32	730i	87.08-	E-G30	386	385
	735i	87.08-	E-G35	386	385
	735iL	87.08-	E-L35	386	385
	740i	87.08-	E-GD40	386	385
	740iL	87.08-	E-GD40L	386	385
	750i/750iL	87.09-90.09	E-GB50/E-G50	386	385
E38	740i 2pot/4pot	94.09-	E-GF40	*1	738
	740i 2pot/4pot	97.04-	E-GF44/GF-GG44/GH-GG44	*1	738a
	735i	96.07-	E-GF35	701	738a
	735i (M-sports)	98.10-	GF-GG35/GH-GG35	701	738a
	750iL	95.02-	E-GK50	704	738a
	750iL	98.10-	GF-GJ50/GH-GJ50	704	738a
	L7	97.06-	E-L7/GF-L7	704	738a
E65	735i	01.10-05.04	GL35	771	741
	745i	01.10-05.04	GL44	771	784
	745Li	01.10-05.04	GN44	771	784
	750i/750Li	03.01-	HL48/HN48/GN60	835	784
E66	760iL	03.01-	GN60	835	784
8 series					
E31	850i	90.04-	E50	703	738
	840Ci	93.09-	E40	701	738
	840Ci M	96.08-	EF44		738
X series					
E83	X3 2.5i	04.06-	PA25	386a	738a
	X3 3.0i	04.06-	PA30	386a	738a
E53	X5 3.0i	00.09-	FA30	702	738a
	X5 3.0i	03.04-	FA30	702	738a
	X5 4.4i	00.09-	FB44	702	738a

MODEL	TYPE	YEAR	TYPE	FRONT	REAR
	X5 4.6is	01.10-	FB44	704	738a
	X5 4.8is	04.05-	FA48	704	738a
Roadster					
E40	Z3 roadster	96.07-	E-CH19	384	739
	Z3 roadster2.0	99.11-	GF-CL20	384	739
	Z3 roadster2.0	00.08-	GF-CK20	384	739
	Z3 roadster2.2i	01.01-	GH-CN22	384	739
	Z3 roadster2.8	98.06-	GF-CH28	384	739
	Z3 coupe2.8	98.10-	GF-CK28	384	739
	Z3 roadster3.0i	01.01-	GH-CN30	384	739
	Z3 coupe3.0i	01.01-	GH-CN30	384	738
E85	Z4 2.2i	03.10-	GH-BT22	384a	738
	Z4 2.5i	03.01-	GH-BT25	384a	738
	Z4 3.0i	03.01-	GH-BT30	384a	738
E52	Z8 5.0	01.01-	GH-EJ50	704	738a
M series					
E30	M3 2.3/2.5	86-	M3	700	385
E36	M3 3.0	93.07-	M3B	386	385
	M3 3.2	93.07-	M3C	386	385
E46	M3	01.01-	GF-BL32/GH-BL32	386	738a
	M3 CSL	03.05-	M3 CSL	386	738a
E92	M3 4.0	07.09-	WD40	838	784
E40	Z3 M coupe	98.10-	CM32	386	385
	Z3 M roadster	98.10-	CK32	386	385
	Z3 M coupe	01.07-	CL32	386	739
	Z3 M roadster	01.07-	CL32	386	739
E34	M5 3.5/3.8	88.01-94.06	M5H	386	385
E39	M5 5.0	99.05-	DE50	702	738a
	M5	00.11-	DF50	702	738a
	M5	01.10-	DE50	702	738a
E60	M5	04.11-	NB50	838	784
E52	M6	05.09-	EH50	838	784
MINI					
MINI	R50/R52/R53	02.03-07.02	GH-RA16/RE16/RF16/RH16	770	740
		05-	GH-RE16(Jhon Cooper Model)	806	740
	R56	07.02-	MF16	792	807
		07.02-	MF16(JCW Sport Brake)	806	807
		07.02-	MF16S	806	807

* For the number is, it may differ from the above list, please note.

* Except for some models, with the sensor is not set so, please note.

* When the check is relevant number, models and body have been mentioned in the Notice Presents No MOT, please contact us.

* The table -, or blank for set confirmed, please understand beforehand because it is set or not.

*1 For the number one front caliper or the shape and check at the Original No thank you.

Front number 656 = 2pot → Original No 34 11 1 163 307

Front number 653(Brembo) = 4pot ⇒ Original No 34 11 1 162 210

*2 Balancer (weight) is not supported so, please note.

FERARRI ►►►

MODEL	TYPE	YEAR	TYPE	FRONT	REAR
348	tb 3.4	90.02-		718	718
	ts 3.4	90.08-		718	718
360	MODENA	99.03-		714	714
	MODENA F1	99.03-		714	714
	SPIDER	01.01-	GH-F360S	714	714
	SPIDER F1	01.01-	GH-F360S	714	714
F40/F50				800	800
456	MGT 5.5/GTA 5.5	93.01-		718	718
550	MARANELLO	96.09-			
575	M MARANELLO	02.04-			
612		04.03-			
F355	BERLINETTA 3.5	94.05-		718	718
	GTS 3.5	94.05-		718	718
	Spider	94.07-		718	718
TESTAROSSA	5.0	86.08-		721	

* For the number is, it may differ from the above list, please note.

* When the check is relevant number, model and body have been mentioned in the Notice Presents No MOT, please contact us.

* The table -, or blank for the set unconfirmed, please understand beforehand because it is set or not.

FIAT ►►►

MODEL	TYPE	YEAR	ENGINE	TYPE	FRONT	REAR
500	1.2 8V	08.03-		ABA-31212	810	-
	1.4 16V	08.05-		ABA-31214	812	627(T=13)
	ABARTH	09.04-		ABA-312141	737	627(T=13)
Uno	45Fire	90.02-			768	-
	Selecta	90.02-			768	-
	Selecta AT	91.05-	146CI	E-F46US	768	-
	75SX	90.02-			768	-
	TUEBO ie	90.02-	146A8	E-F46A8	859	423
	ABARTH1.3Turbo	90.02-			859	423
	75SXie	90.10-	149C1	E-F46C1	768	
Cupe	*2 Base Model -47167	97.04-	175A3	E-175A3/GF-175A3	714	
	*2 Base Model 47168-	97.04-	175A3	E-175A3/GF-175A3	714	752
	*2 Turbo plus -47167	97.04-	175A3	GF-175A3	714	752
	2 Turbo plus 47168	97.04-	175A3	GF-175A3	714	752
Tipo	Base Model	90.02-	149C2	E-160C2	859	423
	2.0 16v	92.02-		E-F60A8	422	423
	2.0 GT	93.01-		E-F60A6	422	423
BARCETTA	Base Model *Fr Lucas *1	96.01-		E-183A1	859	*1
	Base Model *Fr ATE *1	96.01-		E-183A1	716	*1
	Limited Edition	99.06-		GF-183A1		
	Base Model	04.09-				

MODEL	TYPE	YEAR	ENGINE	TYPE	FRONT	REAR
PANDA	Super ie	90.02-		E-141A2	768	-
	4x4 ie	90.02-		E-141A4	768	-
	Super *Lucas	93.11-		E-F141B3	859	-
	Super *Bendix	93.11-		E-F141B3	768	-
	4x4	93.11-		E-F153A2	768	-
	4x4	96.01-		E-141AKB	768	-
	CLX/Selecta *Lucas	96.01-		E-141AKB	768	-
	CLX/Selecta *Bendix	96.01-		E-141AKA	859	-
	Base model	96.01-		E-141AKA	768	-
	Plus	04.07-		GH-16912		
PUNT	Selecta	04.07-		GH-16912		
	Convertible	97.03-		E-176AR5	810	
	Sporting ABARTH	97.03-		E-176AR2/GF-176AR2	810	
	ELX/HLX	98.03-		E-176BV3	715	
	HGT ABARTH	00.05-		GF-188A5	715	
	1.2 16V	00.05-		GF-188A1		-
	1.8 16V	03.12-		GH-188A5		
MULTIPLA	ELX(Plus)	03.12-		GH-188A6		
		03.04-		GH-186B6	421	-

* For the number is, it may differ from the above list, please note.

* Except for some models, with the sensor is not set so, please note.

* When the check is relevant number, model and body have been mentioned in the Notice Presents No MOT, please contact us.

* The table -, or blank for the set unconfirmed, please understand beforehand because it is set or not.

* For the rear pad, please confirm Original No or shape.

MERCEDES BENZ ►►►

MODEL	TYPE	YEAR	TYPE	WM No.	WM No.
A-class					
W168	A160	98-	168033	773	
		02-	168133	773	785
	A190	00-	168032	773	785
W169	A210	02-	168135	773	785
	A170, A200 Elegance	05.02-			785
	A200 Turbo	05.02-			785
B-class					
W245	B170	06-			785
	B200, B200 Turbo	06-			785

MODEL	TYPE	YEAR	TYPE	WM No.	WM No.
Vaneo					
W414	1.9	03.10-	414700		785
190series					
W201	2.3/2.6	85-93	201028/201029	706	741
	2.5D, 2.5TD	85-93	201126/201128	706	
	2.3-16v, 2.5-16v	85-93	201034/201035	707	
	2.5-16v Evo	85-93		709	745
C-class					
W202	C220.C230 A419829-/F443893-	93.10-	202022/202023	712	749
	C240 -F576240/-A487047	97.08-	202026	713	745
	C240 F576241-/A487048-	97.08-	202026	713	747
	C280 -A344660-/F331440	93.10-	202028/202029	712	
	C280 A344661-/F331441-	93.10-	202028/202029	713	
	C280 A487048-/F576241-	93.10-	202028/202029	713	747
	C200 Kompressor -A487047/-F576240		202087	713	747
	C200 Kompressor A487048-/F576241-		202087	713	747
	C43AMG	98-	202033	772	746
	C55AMG	98-		772	746
Wagon (T202)	C200T	96.12-	202080	712	747
	C230T -A487047/-F576240	96.12-	202083	712	745
	C230T A487048-/F576241-	96.12-	202083	712	747
	C240T -A487047/-F576240	97.08-	202086	713	745
	C240T A487048-/F576241-	97.08-	202086	713	747
	C43AMG	97.08-	202093	772	746
W203	C180	00.09-	203035	777	747
	C180 Kompressor	02.10-	203046	777	747
	C200 Kompressor	00.09-	203042/203045	777	747
			203004/203006		
			203035		
	C230 Avangarde	00.09-	203052	777	747
	C230 Kompressor SportsPacage	05-	203040		748
	C240	00.09-	203061	777	747
	C240 4-matic	02.10-	203081	777	747
	C320	02.10-	203064	777	748
C32 AMG Kompressor (Fr:4pot)	01.08-	203065	776	746	
Wagon(T203)	C180 Kompressor Wagon	01.06-	203242/203246	777	748
	C200 Kompressor Wagon	01.06-	230243/203245	777	748
	C230 Kompressor Wagon	01.06-	203240	777	748
	C230 Kompressor Wagon SportsPacage	05-	203240		748
	C240 Wagon	01.06-	203261	777	748
	C240 4-matic	02.08-	203281	777	748
	C32 AMG Kompressor Wagon (Fr:4pot)	01.08-	203265	776	746
Coupe (C203)	C180 Kompressor Coupe	03.09-	203746	777	747
	C200 Kompressor Coupe	01.06-	203745/203742	777	747
W204	C200	07-			
	C250	07-			
	C300				
CLK					
W208(C208)	CLK200	97.09-	208335	713	747
	CLK200 Kompressor	00.08-	208344	713	747
	CLK320	97.09-	208365	705	746
	CLK320 Convertible	98.10-	208465	705	746



MODEL	TYPE	YEAR	TYPE	WM No.	WM No.	
W208(C208)	CLK55 AMG	01.04-	208374	772	746	
W209(C209)	CLK200	02.09-	209342	777	747	
	CLK240	02.04-	209361	777	748	
	CLK320	02.04-	209365	777	748	
	CLK320 Convertible	03.05-	209465	777	748	
	CLK55 AMG (Fr:4pot)	03.01-	209376	776	746	
	CLK55 AMG (Fr:6pot)	03.01-	209376		790	
	CLK63 AMG (Fr:6pot)	06-	209377		790	
E-class						
W124	E220	93.10-	124022	707	743	
	*Saloon					
	E280	93.10-	124028	707	743	
	E300 4-matic	93.10-	124230	707		
	E320 -B864307	93.10-	124032	710	745	
	E320 B864308-	93.10-	124032	709	745	
	400E -B831051	-93	124034	710	745	
	E400 B831052-	94-	124034	709	745	
	E500	93.10-	124036	710	745	
	(S124)	E220T	93.06-	124022	707	745
*Estate	E280T	93.06-	124088	707	743	
	E300T 4-matic	93.06-	124290	707	745	
	E300T -F242721	93.06-	124092	710	745	
	E300T F242722-F323055	93.06-	124092	709	745	
	E300T F323056-	93.06-	124092	709	746	
	E36T AMG	94.05-	124092	709		
(A124)	E320 Convertible	93.10-	126066	710	745	
(C124)	E220	93.06-	124042	707	742	
	*Coupe					
	E320 -B862121	93.10-	124052	710	745	
	E320 B862122-	93.10-	124052	709	745	
	E36 AMG -B862121	94.05-	124052	710	745	
	E36 AMG B862122-	94.05-	124052	709	745	
W210	E240 with ESP -A379346	97.08-	210061	705	746	
	E240 with ESP A379347-	97.08-	210061	705	748	
	E240 without ESP -A379346	97.08-	210061	713	745	
	E240 without ESP A379347-	97.08-	210061	713	747	
	E240	00-02.05	210062	713	748	
	E320 -A379346	95.11-	210055/210065	705	746	
	E320 A379347-	95.11-	210055/210065	705	748	
	E320 4-matic -A379346	97.08-	210082	705	746	
	E320 4-matic A379347-	97.08-	210082	705	748	
	E400		97.08-	210072	705	746
					709	748
	E430		97.08-	210070	705	748
					710	746
					772	
		E50/55AMG	01.04-	210072/210074	772	746
	E60 AMG			772	746	
(S210)	E230T	96.11-	210237	713	746	
	E240T without ESP	98.08-	210261	705	746	
	E240T with ESP	98.08-	210261/210262	713	746	
	E320T	00.08-	210265	705	746	
	E320T 4-matic	00.08-	210282	705	746	
	E430T	98.08-	210270	705	748	

MODEL	TYPE	YEAR	TYPE	WM No.	WM No.
(S210)	E430T	98.08-	210270	710	746
				772	
	E55T AMG	01.04-	210274	772	746
W211	E240	02.06-	211061	778	787
	E280/E300	05.08-	211054C	778	787
				776	
	E320	02.06-	211065/211065C	778	787
	E320 (Fr:4pot)	02.06-	211065/211065C	776	
	E320 CDI	06.08-	211022	778	787
	E320 4-matic		211082	705	787
				778	
	E350		211056	776	787
	E350 4-matic	05.02-	211087	704	
				705	787
	E500	02.06-	211070	776	787
	E550		211072	776	787
E55 AMG (brembo)		211076	779	790	
E63 AMG (brembo)		211077			
Wagon (S211)	E240	03.08-	211261	778	787
	E280		211254	776	787
	E320	03.08-	211265C	778	787
	E320 CDI	06.08-	211222	778	787
	E320 4-matic		211282	705	787
				778	
	E350		211256	776	787
	E350 4-matic	05.02-	211287	704	787
				705	
	E500	03.11-	211270	776	787
E550	06-	211272			
E55 AMG (brembo)		211276	779	790	
S-class					
W126	280SE, 300SE, 500SE	86-91		708	744
	380SEL, 420SEL, 500SEL, 560SEL	86-91		708	744
	560SEC	86-91		708	744
W140	300SE/SEL/S320 ~A050547	92.10-	140032/140033		746
	300SE/SEL/S320 A050548~	92.10-	140032/140033	711	746
	400SE/SEL/S420	92.10-	140042/140043	711	746
	500SE/SEL	92.10-	140050/140051	711	746
	600SE/SEL	92.10-	140056/140057	711	746
	S500	92.10-	140050/140051	711	746
	S600	92.10-	140056/140057	711	746
	CL600	96.08-	140076	711	746
W220	S320 -A322443	-02	220065	776	786
	S350 A322444-	02.11-	220067	776	
	S430 -A322443	-02	220070	776	786
	S430 4-matic A322444-	02.11-	220083	776	787
	S500/S500L	98.11-	220075/220175	776	786
					787
	S600L -A322443	-02	220178	776	786
	S600L	03-	220176	779	790

MODEL	TYPE	YEAR	TYPE	WM No.	
W220	S55/S55L AMG			220073/220173	776
				220074/220174	779
	S63L AMG	02.03-	220179	779	
W221	S350	05.10-	221056		
	S500/S550 S500 L /S550 L	05.10-	221071/221171		
	S550 4-matic	06.11-	221086		
	S600 L	06.06-	221176		
	S6# AMG				
CLS					
W215	CL500	99.10-	215375	776	
	CL600	99.10-	215376/215378	776	
				779	
	CL55 AMG	01.09-	215373	776	
		02.11-	215374	779	
	CL63 AMG	-03.08	215378	776	
	CL65 AMG	03.09-	212379	779	
W216	CL550	06.11-	216371		
	CL600	06.11-	216376		
	CL63 AMG	07-	216377		
CLS					
W219	CLS350	04.00-	219356	776	
	CLS500	04.00-	219375	776	
	CLS55 AMG	04.00-	219376	779	
	CLS63 AMG	02.11-	219377		
SL					
R129	500SL	90.08-	129066	709	
	SL320 -F125157	95.10-	129063	709	
	SL320 F125158-	95.10-	129063	709	
	SL320 -F187942 without ESP	00-	129064	709	
	SL320 -F187942 with ESP	00-	129064	776	
	SL320 F187942-		129064	776	
	SL500 -F125158	95.10-	129066/129067	709	
	SL500 F125158-	95.10-	129066/129067	709	
	SL500	98.08-	129068	776	
	SL600	95.10-	129076	709	
				776	
R230	SL500/550	01.10-	230475/230471	776	
	SL55 AMG	02.07-	230474	779	
	SL350	03.06-	230467	776	
	SL550	06.11-	230471		
	SL600	03.06-	230476	779	
	AMG SL55/SL65	06.11-			
SLK					
R170	SLK230 Kompressor -F107687	97.02-	170447	713	
	SLK230 Kompressor F107688-	97.02-	170447	713	
	SLK230 Kompressor	97.02-	170449	713	
	SLK320	00.11-	170465	705	
	SLK32 AMG	01.08-		705	

MODEL	TYPE	YEAR	TYPE	WM No.	WM No.
R170	SLK32 AMG	01.08-	170465	772	746
R171	SLK200 Kompressor	04.03-	171442	777	747
	SLK280	05.08-	171454	777	747
	SLK350	04.06-	171456	776	748
	SLK55 AMG	04.09-	171473		790
		08-		776	
ML					
W163	ML320 -A289559/-X754619	-00	163154		
	ML320 A289560/-X754620-	00-	163154	776	789
	ML350	03.03-	163157	776	789
	ML430	99.05-	163172	776	789
	ML270CDI -A289559/-X754619	-00	163113		
	ML270CDI A289560/-X754620-	00-	163113	776	789
	ML55 AMG	00.06-	163174	776	789
W164	ML350/M L 500 (Fr:2Pot)	05.10-	164186/164175		
	ML63 AMG	06-	164177		
	GL550	06-	164886		
R					
W251	R350 4-matic (Fr:2Pot)	06.03-	251065		
	R500 4-matic (Fr:2Pot)	06.03-	251075		
	R63 AMG (Fr:2Pot)	07.02-	251077		
V-class					
W638 *3	V230 (BOSCH)	98.06-	638234/638230	775	788
	V230 (ATE)	98.06-	638234/638230	774	750
	V280 (BOSCH)	99.05-	638280	775	788
	V280 (ATE)	99.05-	638280	774	750
VIANO					
W639	3.2 TREND	03.10-	639811C		
	3.2 AMBIENTE	03.10-	639811		
	3.2 AMBIENTE LONG	03.10-	639811		

ESP : Traction control ASR : Rear Differential gear control

*1 Rear with ASR, the number 742 (GENUINE No0004209820), ASR-free, number 743 (GENUINE No0014200220) will.

*2 Rear with ASR, the number 745, ASR-free, the number is 743.

*3 W638 is caliper maker of the Licence, thank you a check in the shape of the pad.

*4 The number for rear, body searches or check at the Original No thank you.

786 - Original No 0034200620 787 - Original No 0034205120

Peugeot ►►►

MODEL	TYPE	YEAR	FAB No	ENGINE	TYPE	FRONT	REAR
106	Xsi	95.03-			E-S10	733	765
	S16	96.09-			E-S2S	733	765
	S16	01.01-			GF-S2S	733	765
	S16 Limited	02.09-			GF-S2NFX	733	765
205	XS *1 Bendix	89.10-		XU51C	E-20K2	730	
	XS Auto *1 Bendix	89.10-		XU9JAZ	E-20B1	730	
	Gti(Auto) *Fr Lucas	89.10-			E-20DK/DF	731	765

MODEL	TYPE	YEAR	FAB No	ENGINE	TYPE		
205	Gti(Auto) *Fr ATE	89.10-		XU9JAZ	E-20DK/DF		
	Gti Auto Convertible *1 Bendix	89.10-		XU9J1	E-20DFC/DKC		
	Si *1 Bendix	91.07-		XU9J1	E-20DF		
	1.9 Bronche *1 Bendix	92.03-		XU9J1	E-20DF		
	1.6Si *1 Bendix	94.08-		XU5M3Z	E-205		
	1.9Si *1 Bendix	94.08-		XU9J1			
206	XT/Style	99.06-		TU3JP	GF-T14/GF-T14M/GH-T1KFW		
	XT/Style	99.06-	-8749	TU3JP	GF-T14/GF-T14M/GH-T1KFW		
	XT/Style	99.06-	8750-9729	TU3JP	GF-T14/GF-T14M/GH-T1KFW		
	XT/Style	99.06-	9730-	TU3JP	GF-T14/GF-T14M/GH-T1KFW		
	XT Premium/XS	99.06-	-8749	TU5JP	GF-T16		
	XT Premium/XS/Roland Garros	99.06-	-9078	TU5JP4	GH-T1NFU/GH-T16RG		
	XT Premium/XS/Roland Garros	99.06-	9079-	TU5JP4	GH-T1NFU/GH-T16RG		
	S16(Limited)/CC S16/SW S16	99.06-	-9078	EW10J4	GF-T1S16/GF-M206CC/GH-2EKRFN		
	S16(Limited)/CC S16/SW S16	99.06-	9079-	EW10J4	GF-T1S16/GF-M206CC/GH-2EKRFN		
	306	RC	03.10-		EW10J4S	GH-206RC	
XR/XT/SR *ATE Caliper		94.02-		XU7JP	E-N3/N5		
Xsi/ST *Lucas Caliper		94.02-		XU10J2	E-N3SI/N5SI/N5S/N3XT		
S16 *Lucas Caliper		94.06-		XU10J4Z	E-N3S16/N3S16A/N5S16		
S16 *Lucas Caliper		97.11-		XU10J4RS	E-N5S16		
Style *Lucas Caliper		95.12-		XU7JP4	E-N3/N5M/N5A/N5XT		
Style *BOSCH Caliper		95.12-		XU7JP4	E-N3/N5M/N5A/N5XT		
Casimile *Lucas Caliper		97.11-		XU10J4R	E-N5XT		
Casimile *BOSCH Caliper		97.11-		XU10J4R	E-N5XT		
Breake *Lucas Caliper		97.11-		XU10J4R	E-N5BR		
307	Breake *BOSCH Caliper	97.11-		XU10J4R	E-N5BR		
	XS(Breake)/XT/Xsi/SW	01.10-	-9897	EW10J4	GF-T5/GH-3EHRFN/GF-T5/GH-T5RFN		
	XS(Breake)/XT/Xsi/SW	01.10-	9898-9974	EW10J4	GF-T5/GH-3EHRFN/GF-T5/GH-T5RFN		
	XS(Breake)/XT/Xsi/SW	01.10-	9975-	EW10J4	GF-T5/GH-3EHRFN/GF-T5/GH-T5RFN		
	Style(Breake)	01.10-		TU5JP4	GF-T5NFU/GH-3EHNFU		
	Style(Breake)	01.10-	9520-9855	TU5JP4	GF-T5NFU/GH-3EHNFU		
	Style(Breake)	01.10-	9898-9974	TU5JP4	GF-T5NFU/GH-3EHNFU		
	Style(Breake)	01.10-	9975-	TU5JP4	GF-T5NFU/GH-3EHNFU		
309	CC	03.10-		EW10J4S			
	GTI *BOSCH	90.02-		XU9JAZ	E-10DK		
	GTI *Lucas *2	90.02-		XU9JAZ	E-10DK		
	GTI *BOSCH	91.01-		XU9JAZ	E-3DK		
	GTI *Lucas *2	91.01-		XU9JAZ	E-3DK		
	SI *BOSCH	91.01-		XU9J1	E-3DF		
405	Si *Lucas *2	91.01-		XU9J1	E-3DF		
	SRI/SRI-EX/STI/SRI-SX -S70536851	90.10-		XU9JAZ	E-15DK		
	SRI/SRI-EX/STI/SRI-SX S70536852-	90.10-		XU9JAZ	E-15DK		
	SRI-EX	93.03-		XU10J2Z	E-D70		
	SRI-EX Breake	90.10-		XU9JAZ	E-15DKE		
	SRI-EX Breake	93.03-		XU10J2Z	E-D70BR		
	MI16	90.10-		XU9J4Z	E-15DFW		
	MI16 x4	90.10-		XU9JAZ	E-15DFW7		
406	MI16	93.03-		XU10J4Z	E-D70MI		
	ST/SV	96.11-		XU10J4R	E-D8/GF-D9/GF-D9L4		
	Breake	97.11-		XU10J4R	E-D8BR/GF-D9BR		
	2.0 16v	01.05-		EW10J4	GF-D9L4		
Breake 2.0 16v	01.05-		EW10J4	GF-D9BRL4			

MODEL	TYPE	YEAR	FAB No.	ENGINE	TYPE	FRONT	REAR
406	V6	00.05-		ES9J4S	GF-D9V/GH-D9V	735	
	Breake V6	00.05-		ES9J4S	GF-D9BRV/GH-D9BRV	735	
	Cupe V6	00.03-	-9638	ES9J4S	GF-D9CPV	714	
	Cupe V6	*3 00.03-	9639-	ES9J4S	GF-D9CPV	735	
	V6 24v	97.11-		ES9J4	E-D8V/VGF-D9/VGH-D9V	735	
	Breake V6 24v	97.11-		ES9J4	E-D8BRV	735	
	Cupe V6 24v	98.01-		ES9J4	E-D8CPV/GH-9CPV	714	
	Sports	*3 02.07-		EW12J4	GF-D93F2	735	

* For the number is, it may differ from the above list, please note.

* Except for some models, with the sensor is not set so, please note.

* When the check is relevant number, model and body have been mentioned in the Notice Presents No MOT, please contact us.

* The table -, or blank for the set unconfirmed, please understand beforehand because it is set or not.

* Lucas for the caliper (GENUINE No425037) leave the site because there is no set, please acknowledge beforehand.

*2 Lucas caliper pad, two are set to number type, No425037 number does not conform to the set, thank you in advance to confirm.

PORSCHE ►►►

MODEL	ENGINE	TYPE	YEAR	TYPE	FRONT	REAR
911	3.2	Carrera	84-89	E-9114	717	753
	3.2	Carrera Cabriolet	84-89	E-9114	717	753
	3.2	Carrera Targa	84-89	E-9114	-	-
	3.2	Carrera Club Sports	89-89	E-9114	717	753
	3.2	Speed ster Cabriolet	89	E-9114K	717	753
	3.2	Speed ster turbo look Cabriolet	89	E-9114K	717	753
	3.3	Turbo/Turbo targa/Turbo Cabriolet	84-89	E-9307	718	718
	3.3	Turbo flat nose	88-89	E-9300	718	718
	3.3	Turbo	91-92	E-964T2	719	718
	3.6	Carrera4	89-93	E-964	718	718
	3.6	Carrera4 targa	89-93	E-964	718	718
	3.6	Carrera4 Cabriolet	89-93	E-964K	718	718
	3.6	Carrera2	90-93	E-964A	718	718
	3.6	Carrera2 targa	90-93	E-964A	718	718
	3.6	Carrera2 Cabriolet	90-94	E-964AK	718	718
	3.6	Carrera RS	92	E-964A	719	718
	3.6	Carrera2 turbo look	92-93	E-964AK	718	718
	3.6	Carrera2 turbo 3.6	93	E-964T2	720	718
	3.6	Turbo	94	E-964T2	720	718
	3.6	Carrera2 speed ster	94	E-964AK	718	718
	3.6	Carrera Cabriolet	94-98	E-993K	719	718
	3.6	Carrera coupe	95-98	E-993	719	718
	3.6	Turbo	95-98	E-993T	720	719
	3.6	Turbo S	96-98	E-993T	720	718
	3.6	Carrera4	95-98	E-993C4	719	718
	3.6	Carrera4 Cabriolet	96-98	E-993C4K	719	718
	3.6	CarreraS	96-98	E-993	719	718
	3.6	Carrera Targa	96-98	E-993	719	718
	3.7	Carrera4S	96-98	E-993C4S	719	718

MODEL	ENGINE	TYPE	YEAR	MODEL		
911	3.8	Carrera RS	96-98	E-993C4		
	3.6	GT3	99-01	GF-99663		
	3.6	GT2	01-02	GF-996S64		
	3.6	GT2	03	GH-996S64		
	3.6	Carrera Cabriolet	02	GF-99603		
	3.6	Carrera Cabriolet	03	GH-99603		
	3.6	Carrera coupe	02	GF-99603		
	3.6	Carrera coupe	03	GH-99603		
	3.6	Carrera4 Cabriolet	02	GF-99603		
	3.6	Carrera4 Cabriolet	03	GH-99603		
	3.6	Carrera4 coupe	02	GF-99603		
	3.6	Carrera4 coupe	03	GH-99603		
	3.6	Carrera4S coupe	02	GF-99603		
	3.6	Carrera4S coupe	03	GH-99603		
	3.6	Targa	02	GF-99603		
	924	3.6	Targa	03	GH-99603	
928	3.6	Turbo4	00	GF-99664		
	3.4	Carrera cupe	98-01	GF-99666		
	3.4	Carrera Cabriolet	98-01	GF-99666K		
	3.4	Carrera4 coupe	99-01	GF-99668		
	3.4	Carrera4 Cabriolet	99-01	GF-99668K		
	3.6	Carrera , Carrera4	04	99705		
	3.8	Carrera S , Carrera4S	04	997M9701		
944	3.6	TURBO	96	997		
	3.6	GT3	96	997		
	3.6	GT3 CUP	05	997		
	2.5	924S	87-88	E-924		
	4.7	S/S-2	86	E-928		
	5.0	GT	90-91	E-928		
968	5.0	S4	87-91	E-928		
	5.0	S4 GT	89	E-928		
	5.0	S4 Excrusive	89	E-928		
	5.4	GTS EX	92	E-928M28		
	5.4	GTS	92-95	E-928M28		
BOXSTER	2.5	944	84-88	E-944		
	2.5	944S	87-88	E-944		
	2.5	Turbo	86-90	E-951		
	2.7	944/944 Excrusive	89	E-9444		
	3.0	S2/S2 Club sports	89-91	E-94442		
	3.0	S2 Cabriolet	91	E-94442K		
CAYENNE	3.0	968	92-94	E-968		
	3.0	968 Tiptronic	92-94	E-968		
	3.0	Cabriolet	92-94	E-968K		
	3.0	Cabriolet Tiptronic	92-94	E-968K		
	3.0	Club Sports	93-94	E-968		
	2.5	2.5 24V Basic/Comfort/Sport	97-99	E-986K		
	2.7	2.7	99-03	GF-98665/98623		
	3.2	(S) 3.2	99-03	GF-98667/98624		
CAYMAN	2.7	2.7	04-06	98720		
	3.2	(S) 3.2	04	987		
	3.4	(S) 3.4	04	987		
	3.2	3.2 NA-V6	03	955		

MODEL	ENGINE	TYPE	YEAR	MODEL	FRONT	REAR
CAYMAN	3.6	3.6 NA-V6	03-	955		
	4.5	(S) 4.5 NA-V8	02-	955		
	4.8	(S) 4.8 NA-V8	02-	955		
	4.5	4.5 TURBO-V8	02-06	955		
	4.8	4.8 TURBO-V8	06-	955		
	4.5	TURBO S	06-	955		
	2.7	2.7	06-		722	
	3.4	(S) 3.4	06-			756

* It is impossible to install sensors and remaining alert, please acknowledge beforehand.

*2 4pot caliper, the number is 780. If the caliper is 6pot, number is 781. In this case, as follows for different prices, please acknowledge beforehand.

*3 Sport Suspension with 719 vehicles, vehicles will No ⇒ 718, please check in advance.

VOLKSWAGEN ▶▶▶

MODEL	TYPE	YEAR	TYPE	FRONT	w/SENSOR	REAR
GOLF2	8V	85-87	GX	128	-	-
		88-91	RV	128	-	-
	16V	87-89	PL	127	-	335
		89-92	PL	334	-	335
JETTA	8V	85-87	GX	128	-	-
		88-91	RV	128	-	-
CORRADO	G-60	90-92	PG	430	-	335
	2.0 16V	93-94	9A	334	-	335
	VR6	92-95	ABV	430	-	335
GOLF3	GLI	92-94	2E	334	-	335
		95-96	ADY	334	-	335
		97-98	AGG	334	-	335
	GTI 16V	94-96	ABF	430	-	335
	VR6	96-98	ABF	326	-	335
		93-96	AAA	430	-	335
		96-98	AAA	326	-	335
CABRIOLET	2.0 8V	92-94	2E	334	-	-
		95-96	ADY	334	-	-
		97-02	AGG	334	-	335
VENTO	GLI	92-94	2E	334	-	335
		95-96	ADY	334	-	335
		97-98	AGG	334	-	335
	2.8 VR6	93-96	AAA	430	-	335
		96-98	AAA	326	-	335
GOLF4	1.8T GTI / GTX	99-01	AGU	326	SF326	335a
	WAGON GT	01-06	AUM	326	SF326	335a
	CLI / GLI 2.0	00-02	APK	381	-	335a
	WAGON	03-06	AZJ	381	SF381	335a
	R32	03-04	BFH	704	SF704	335a
	TSI Trendline	08-	CAX	769	SF769	791
	TSI Comfortline	08-	BMV	769	SF769	791
GOLF5	GLI	04	AXW	769	SF769	791
		05-06	BLX / BLR / BVY	769	SF769	791
	GT	04	AXW	769	SF769	791
		05-06	BLX / BLR / BVY	769	SF769	791
	GT TSI	07-	BLG	769	SF769	791
GTX	05-	AXX / BWA	769	SF769	791	

MODEL	TYPE	YEAR	TYPE	FRONT	w/SENSOR	REAR
GOLF5	GTI	05-	AXX / BWA	769	SF769	791
	R32	06-	BUB	795	SF795	791
GOLF5 Variant	TSI Trendline	08-	CAX	769	SF769	791
		07-	BLG	769	SF769	791
	TSI Comfortline	08-	CAV	769	SF769	791
		07-	BWA	769	SF769	791
GOLF6	TSI Comfortline	09-	CAX	769	SF769	791
	TSI Highline	09-	CAV	769	SF769	791
	GTI	10-	CCZ	769	SF769	791
TOURAN	GLI	04	AXW	769	SF769	791
		05-	BLX / BLR / BVY	769	SF769	791
NEW BEETLE	EZ 1.6	05-	BFS	381	-	335a
	1.8T	02-	AWU	326	SF326	335a
	2.0 8V	00-02	AQY	381	-	335a
		03-	AZJ	381	SF381	335a
	2.0 8V Cabriolet	03-	AZJ	381	SF381	335a
BORA	2.0 8V	00-02	APK	381	-	335a
		03-05	AZJ	381	SF381	335a
	2.3 V5	00-01	AGZ	326	SF326	335a
		02-05	AQN	326	SF326	335a
	2.8 V6 4Motion	01	AUE	326	SF326	335a
02-04		BDE	326	SF326	335a	
JETTA5	TSI Comfortline	08-	CAV	769	SF769	791
	2.0	06-07	BLX / BVY	769	SF769	791
	2.0T	06-	AXX / BWA	769	SF769	791
	2.0 TSI Sportline	08-	BWA	769	SF769	791
EOS	GT Sport	08-	BWA	769	SF769	791
	2.0T	07-	BWA	769	SF769	791
PASSAT	V6	07-	BUB	769	SF769	791
		1.8T	98-99	AEB	326a	SSM326a
		99-00	APU	326a	SSM326a	335a
PASSAT	2.0	02-05	AZM	326a	SSM326a	335a
		06-	BVY	769	SF769	791
		06-	AXX / BWA	769	SF769	791
	2.0T	06-	AXX / BWA	769	SF769	791
	2.3 V5	01-05	AZX	326a	SSM326a	335a
	2.8 V6	01-05	AMX	326a	SSM326a	335a
		98-99	ACK	326a	SSM326a	335a
	2.8 V6 Syncro	99-00	APR	326a	SSM326a	335a
		01-05	AMX	326a	SSM326a	335a
	3.2 V6 4Motion	06-	AXZ	795	SF795	791
POLO	GTI	00-02	ARC	334	-	335a
	GTI 1.8T	06-	BJX	794	SF794	335a
LUPO	GTI	03-05	AVY	334	-	335a

VOLVO ▶▶▶

MODEL	TYPE	YEAR	ENGINE		FRONT	
740	GL/TURBO	89.09-	B230	E-7B230	-	
	GL Estate *with ABS	89.09-	B230	E-7B230W	724	
	GLE 16V *with ABS	89.09-	B234	E-7B234	724	
	GLE Estate *with ABS	89.09-	B234	E-7B234	724	
850	GLT/GLE	92.06-	B5254	E-8B5254	723	
	GLT Estate	93.10-	B5254	E-8B5254W	723	

MODEL	TYPE	YEAR	ENGINE	TYPE	FRONT	REAR
850	GLE Type S/GL/S2.5/2.5	93.01-	B5252	E-8B5252	723	758
	GL Estate /S2.5 Estate	93.10-	B5252	E-8B5252W	723	758
	T5(Estate)	93.10-	B5234	E-8B5234/8B5234W	723	758
	T5-R(Estate)	95.04-	B5234	E-8B5234 /8B5234W	723	758
940	GLE *with ABS	90.10-	B234	E-9B234	724	*1
	GLE Estate *with ABS	90.10-	B234	E-9B234	724	*1
	TURBO(Estate)/GL *with ABS	90.10-	B230	E-9B230/E-9B230W	724	*1
960	SEDAN *with ABS	90.10-	B280	E-9B280	724	*1
	24V/3.0	91.04-	B6304	E-9B6304	724	*1
	Excutive	91.04-	B6304	E-9B6304E	724	*1
	Estate/SX	91.10-	B6304	E-9B6304W	724	*1
	2.5/2.5 Estate	95.03-	B6354	E-9B6254/9B6254W	724	*1
	3.0 Estate	95.03-	B6304	E-9B6304	724	*1
C70	T-5	97.04-	B5234	E-8B5234K/GF-8B5234K	723	758
	2.5T/2.4T	98.09-	B5254	E-8B5254K	723	758
	2.4T	99.11-	B5244	GF-8B5244K	723	758
	2.4Convertible	01.03-	B5244	GH-8B5244K	723	758
	2.3Convertible T-5	04.07-	B5234	TA-8B5234K	723	758
S40	1.8	97.09-	B4184	E-B4184		
	2.0	97.09-	B4204	E-4B4204		
	2.0T	97.09-	B4204			
	T4	97.10-	B4194	E-4B4194		
S60	2.4/2.4T	01.01-	B5244	GH-RB5244	725	760
	T5	01.01-	B5234	GH-RB5234	725	760
	AWD	01.10-	B5244	TA-RB5244A	725	760
	AWD	02.11-	B5254	LA-RB5254A	725	760
	Base Model	02.07-		LA-RB5244	725	760
	T5 Sports	04.10-	B5244T	CBA-RB5244T		
	AWD	04.10-	B5254	CBA-RB5254A		
	2.5T	04.10-	B5254	CBA-RB5254		
S70	2.5	97.01-	B5252	E-8B5252	723	758
	2.5 20v	97.01-	B5254	E-8B5254	723	758
	T5	97.01-	B5234	E-8B5234	723	758
	2.5T	97.07-	B5254	E-8B5254	723	758
S80	2.9	98.09-	B6304	GF-TB6304	725	760
	2.9	99.07-	B6294	GF-TB6294/LA-TB6294	725	760
	T-6	98.09-	B6284	GF-TB6284	725	760
	2.4	99.02-	B5244	GF-TB5244	725	760
S90	3.0/3.0E	97.07-	B6304	E-9B6304	724	759
V40	2.0/2.0T	97.09-	B4204	E-4B4204W		
	T-4	97.09-	B4194	E-4B4194W		
	1.8	97.10-	B4184	E-4B4184W		
V70	AWD 16inch	97.03-	B5254	E-8B5254AW	723	759
	AWD 16inch	99.07-	B5244	GF-8B5244AW	723	759
	AWD 16inch	02.11-	B5254	LA-SB5254AW	725	760
	R AWD 16inch	97.08-	B5234	E-8B5234AW	723	759
	R AWD 16inch	99.07-	B5244	GF-8B5244AW	723	759
	XC AWD 16inch	97.10-	B5254	E-8B5254AWL	723	759
	XC AWD 16inch	99.07-	B5244	GF-8B5244AWL	723	759
	2.4 15inch/Cassic 15inch	99.07-	B5244	GF-8B5244W	723	758



Model	TYPE	YEAR	ENGINE	TYPE	FRONT	REAR	
V70	2.4T 16inch	99.07-	B5244	GF-8B5244W	723	758	
	2.4T 16inch	00.04-	B5244	GF-SB5244W	725	759	
	2.4T AWD 16inch	00.07-	B5244	GH-SB5249W	725	759	
	2.4T 16inch	02.11-	B5244	TA-SB5244W	725	759	
	2.5 15inch	97.07-	B5252	E-8B5252W	723	758	
	2.5 20v 15inch	97.07-	B5254	E-8B5254W	723	758	
	2.5T 16inch	97.07-	B5254	E-8B5254W	723	759	
	T-5	97.10-	B5234	E-8B5234W	723	759	
	T-5 17inch	00.04-	B5234	GH-SB5234W	725	759	
	T-5 Sports 17inch	02.01-	B5234	TA-SB5234W	725	760	
	NA 15inch	00.07-	B5244		725	760	
	NA 2.4 15inch	00.07-	B5244		725	760	
	NA 15inch/NA 2.4 15inch	02.11-	B5244	LA-SB5244W	725	760	
	R Limited verison(V70R)				370	714	
	Cross country	2.4/2.4T	00.09-	B5244	GH-SB5244AWL	725	759
	V70XC	2.4/2.4T	01.10-	B5244	GH-SB5244AWL	725	759
XC70	2.5T	02.11-	B5254	LA-SB5254AWL	725	759	
XC90					797	804	

* For the number is, it may differ from the above list, please note.

* Except for some models, with the sensor is not set so, please note.

* When the check is relevant number, model and body have been mentioned in the Notice Presents No MOT, please contact us.

* The table -, or blank for the set unconfirmed, please understand beforehand because it is set or not.

*1 Because the number varies by type of the rear caliper, please check in advance.

758 ⇒ ATE calipers 759 ⇒ Lucas calipers

Memo

A series of horizontal dashed lines for writing.

Shape retrieval from a number

001
▼

W: 90.0 H: 54.0 T: 17.5

008
▼

W: 63.2 H: 52.3 T: 14.5

018
▼

W: 77.8 H: 60.0 T: 13.5

031
▼

W: 108.25 H: 37.5 T: 14.0

038
▼

W: 106.0 H: 46.0 T: 15.0

045
▼

W: 109.0 H: 47.8 T: 15.5

002
▼

W: 47.5 H: 54.0 T: 17.0

009
▼

W: 52.0 H: 51.0 T: 14.5

021
▼

W: 78.8 H: 55.5 T: 14.5

033
▼

W: 107.7 H: 39.5 T: 14.5

039
▼

W: 77.7 H: 62.4 T: 13.5

046
▼

W: 98.6 H: 32.8 T: 14.5

003
▼

W: 63.0 H: 65.1 T: 14.5

011
▼

W: 58.0 H: 55.0 T: 14.5

025
▼

W: 53.4 H: 49.0 T: 12.5

034
▼

W: 63.3 H: 57.2 T: 14.5

040
▼

W: 99.0 H: 39.0 T: 14.5

048
▼

W: 63.8 H: 51.2 T: 14.0

004
▼

W: 108.9 H: 38.0 T: 14.0

013
▼

W: 108.9 H: 46.8 T: 14.0

026
▼

W: 63.2 H: 52.5 T: 14.5

035
▼

W: 132.5 H: 49.5 T: 15.0

W: 120.5 H: 49.5 T: 15.0

042
▼

W: 58.0 H: 52.8 T: 14.5

049
▼

W: 111.6 H: 46.2 T: 14.5

005
▼

W: 60.0 H: 57.5 T: 15.0

015
▼

W: 108.9 H: 46.8 T: 14.0

028
▼

W: 77.9 H: 67.8 T: 14.5

036
▼

W: 97.5 H: 44.0 T: 13.5

W: 132.0 H: 38.8 T: 13.5

043
▼

W: 108.25 H: 37.5 T: 14.0

050
▼

W: 109.2 H: 46.4 T: 14.0

W: 106.8 H: 47.5 T: 14.0

006
▼

W: 115.4 H: 57.8 T: 14.5

017
▼

W: 78.8 H: 60.0 T: 14.5

029
▼

W: 63.3 H: 56.4 T: 14.5

037
▼

W: 130.0 H: 51.0 T: 15.0

044
▼

W: 108.9 H: 45.8 T: 14.0

051
▼

W: 99.2 H: 32.3 T: 14.5

052
▼

W: 95.0 H: 45.3 T: 14.5

059
▼

W: 107.3 H: 56.0 T: 15.5

067
▼

W: 109.1 H: 49.0 T: 15.0

W: 107.0 H: 50.0 T: 15.0

075
▼

W: 127.9 H: 48.0 T: 15.5

082
▼

W: 116.2 H: 54.5 T: 15.5

091
▼

W: 103.8 H: 37.0 T: 15.5

054
▼

W: 108.6 H: 36.0 T: 15.5

061
▼

W: 119.3 H: 36.0 T: 15.5

068
▼

W: 135.0 H: 48.5 T: 16.0

076
▼

W: 119.7 H: 45.0 T: 15.0

083
▼

W: 108.0 H: 45.5 T: 15.0

092
▼

W: 85.4 H: 35.5 T: 13.0

055
▼

W: 128.2 H: 50.9 T: 15.0

062
▼

W: 142.0 H: 53.3 T: 16.5

069
▼

W: 117.0 H: 44.5 T: 15.0

W: 117.0 H: 44.5 T: 15.0

078
▼

W: 130.0 H: 53.0 T: 16.5

W: 130.0 H: 53.0 T: 16.5

085
▼

W: 128.4 H: 49.0 T: 15.5

W: 126.8 H: 49.0 T: 15.5

094
▼

W: 110.5 H: 41.5 T: 15.0

056
▼

W: 111.6 H: 46.2 T: 14.5

W: 111.6 H: 46.2 T: 14.5

063
▼

W: 98.4 H: 39.0 T: 13.0

W: 99.0 H: 39.0 T: 13.0

069
▼

W: 118.5 H: 45.0 T: 15.0

W: 118.5 H: 45.0 T: 15.0

079
▼

W: 92.8 H: 47.3 T: 14.5

087
▼

W: 130.1 H: 44.5 T: 16.8

095
▼

W: 107.7 H: 44.5 T: 15.0

057
▼

W: 116.0 H: 51.0 T: 15.0

064
▼

W: 85.3 H: 41.5 T: 14.0

W: 85.3 H: 41.5 T: 14.0

071
▼

W: 108.6 H: 37.0 T: 16.0

080
▼

W: 108.0 H: 34.0 T: 16.0

089
▼

W: 140.0 H: 55.5 T: 15.5

096
▼

W: 142.0 H: 53.3 T: 16.5

W: 142.0 H: 53.3 T: 16.5

058
▼

W: 128.8 H: 49.0 T: 15.5

066
▼

W: 130.0 H: 53.0 T: 16.5

074
▼

W: 116.0 H: 43.5 T: 15.0

081
▼

W: 103.8 H: 37.0 T: 15.5

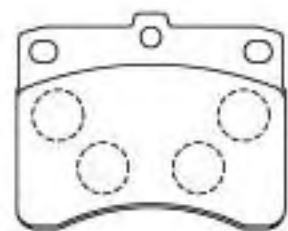
090
▼

W: 127.9 H: 49.0 T: 14.0

097
▼

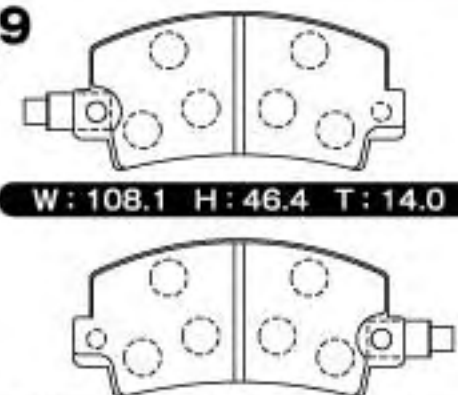
W: 98.7 H: 32.3 T: 14.5

099



W: 78.8 H: 57.0 T: 13.5

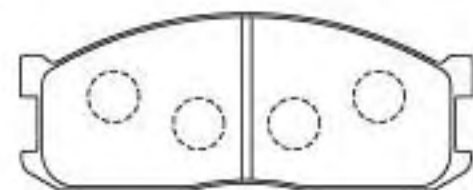
109



W: 108.1 H: 46.4 T: 14.0

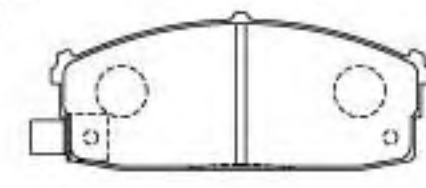
W: 108.1 H: 46.4 T: 14.0

116

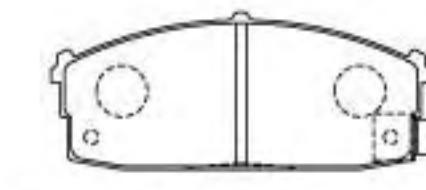


W: 133.0 H: 50.0 T: 15.5

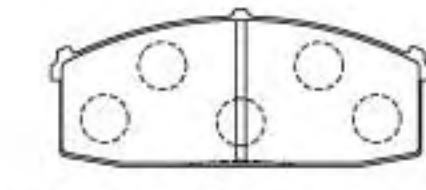
122



W: 111.6 H: 46.2 T: 14.5

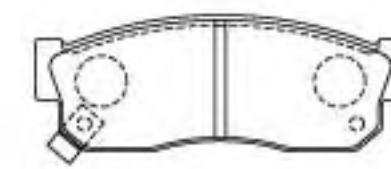


W: 111.6 H: 46.2 T: 14.5

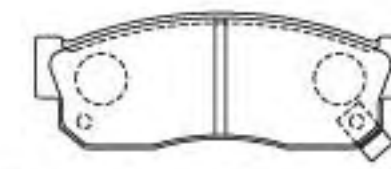


W: 111.6 H: 46.2 T: 14.5

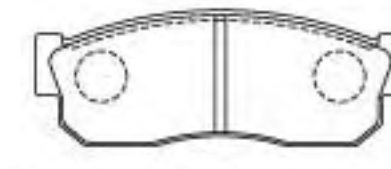
125



W: 108.6 H: 37.0 T: 16.0



W: 108.6 H: 37.0 T: 16.0



W: 108.6 H: 37.0 T: 16.0

128

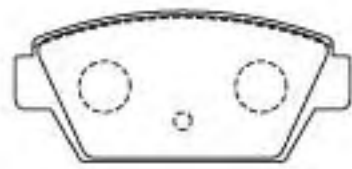


W: 138.0 H: 47.0 T: 14.8



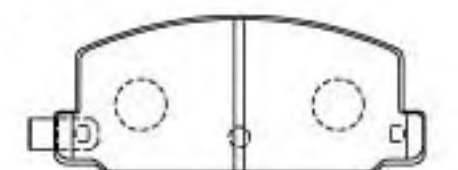
W: 138.0 H: 47.0 T: 14.8

100

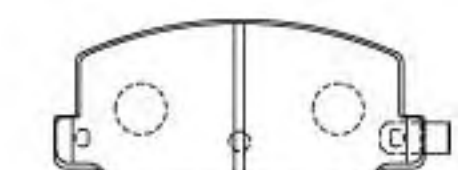


W: 98.5 H: 44.3 T: 14.5

110

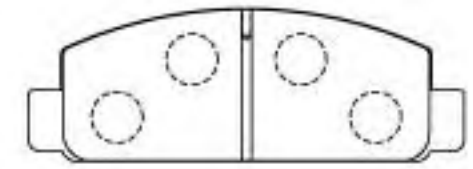


W: 108.8 H: 46.0 T: 15.0



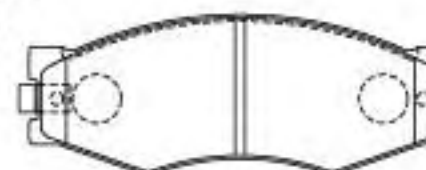
W: 108.8 H: 46.0 T: 15.0

117

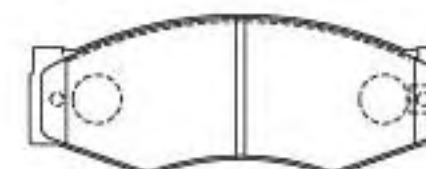


W: 128.1 H: 45.0 T: 14.0

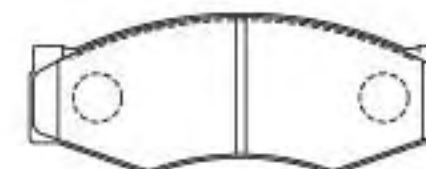
123



W: 130.1 H: 44.5 T: 16.5



W: 130.1 H: 44.5 T: 16.5



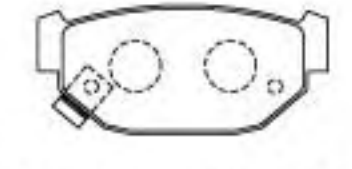
W: 130.1 H: 44.5 T: 16.5

126



W: 85.3 H: 38.0 T: 15.0

130



W: 85.3 H: 38.0 T: 15.0

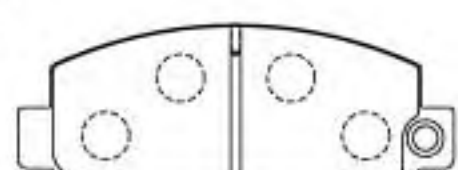


W: 85.3 H: 38.0 T: 15.0

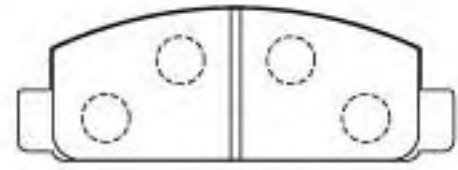


W: 85.3 H: 38.0 T: 15.0

107



W: 128.1 H: 45.2 T: 14.0

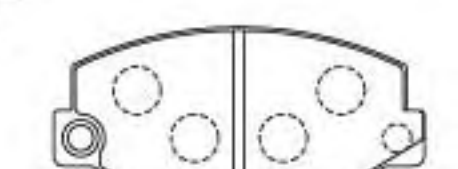


W: 128.1 H: 45.2 T: 14.0

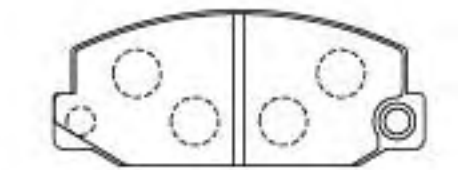


W: 128.1 H: 45.2 T: 14.0

112

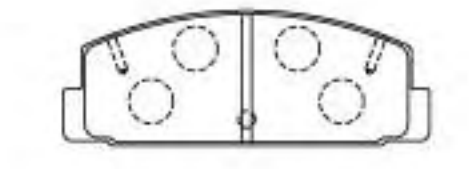


W: 108.9 H: 45.6 T: 14.0



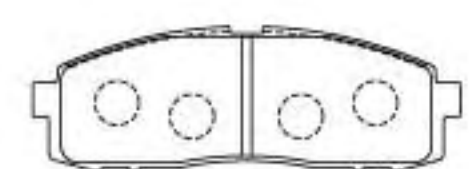
W: 108.9 H: 45.6 T: 14.0

118



W: 107.7 H: 39.7 T: 13.0

119



W: 125.5 H: 37.5 T: 15.0

127

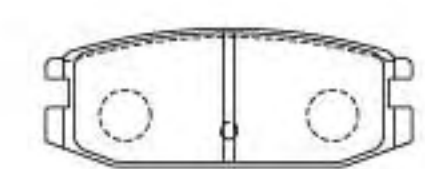


W: 138.0 H: 47.0 T: 18.7



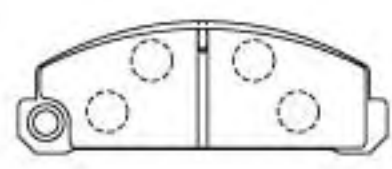
W: 138.0 H: 47.0 T: 18.7

131

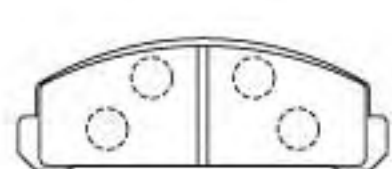


W: 107.7 H: 40.5 T: 13.0

108



W: 108.25 H: 37.5 T: 11.0

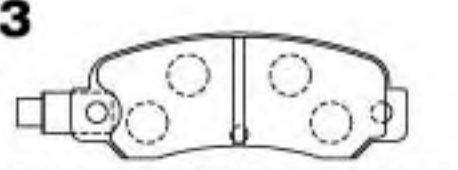


W: 108.25 H: 37.5 T: 11.0

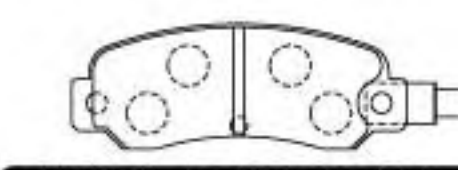


W: 108.25 H: 37.5 T: 11.0

113

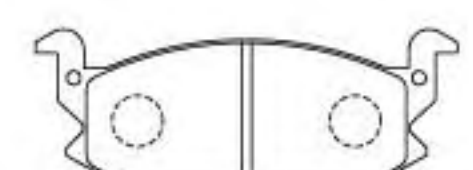


W: 98.6 H: 33.1 T: 14.5



W: 98.6 H: 33.1 T: 14.5

120

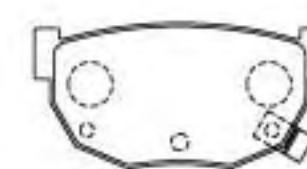


W: 124.0 H: 41.0 T: 14.0

124



W: 85.3 H: 41.5 T: 14.0

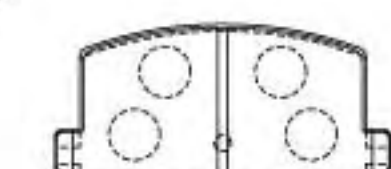


W: 85.3 H: 41.5 T: 14.0



W: 85.3 H: 41.5 T: 14.0

129



W: 98.7 H: 45.5 T: 16.0

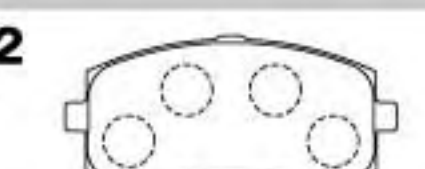


W: 106.7 H: 44.6 T: 15.0



W: 106.7 H: 44.6 T: 15.0

132

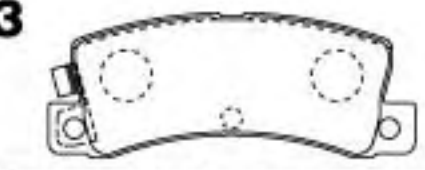


W: 97.5 H: 44.0 T: 13.5

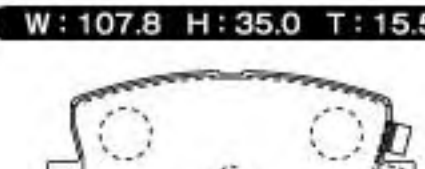


W: 132.0 H: 39.0 T: 13.5

133



W: 107.8 H: 35.0 T: 15.5



W: 107.8 H: 35.0 T: 15.5

134
▼

W: 85.4 H: 35.5 T: 13.0

W: 85.4 H: 35.5 T: 13.0

W: 85.4 H: 35.5 T: 13.0

135
▼

W: 91.7 H: 57.5 T: 15.0

W: 91.7 H: 57.5 T: 15.0

W: 91.7 H: 57.5 T: 15.0

136
▼

W: 101.7 H: 32.5 T: 12.5

137
▼

W: 127.1 H: 47.0 T: 18.0

W: 127.1 H: 47.0 T: 18.0

138
▼

W: 88.7 H: 33.0 T: 13.0

139
▼

W: 128.4 H: 49.0 T: 15.5

W: 126.8 H: 49.0 T: 15.5

W: 126.8 H: 49.0 T: 15.5

140
▼

W: 98.8 H: 29.5 T: 14.0

W: 98.8 H: 29.5 T: 14.0

142
▼

W: 85.3 H: 45.0 T: 14.0

W: 85.3 H: 45.0 T: 14.0

W: 85.3 H: 45.0 T: 14.0

143
▼

W: 98.8 H: 34.7 T: 15.3

W: 98.8 H: 34.7 T: 15.3

W: 98.8 H: 34.7 T: 15.3

144
▼

W: 130.0 H: 53.0 T: 16.5

145
▼

W: 130.0 H: 53.0 T: 16.5

W: 130.0 H: 53.0 T: 16.5

W: 130.0 H: 53.0 T: 16.5

148
▼

W: 132.0 H: 46.5 T: 15.0

146
▼

W: 98.8 H: 29.5 T: 14.0

W: 98.8 H: 29.5 T: 14.0

W: 98.8 H: 29.5 T: 14.0

147
▼

W: 116.0 H: 43.5 T: 15.0

W: 116.0 H: 43.5 T: 15.0

W: 116.0 H: 43.5 T: 15.0

149
▼

W: 127.8 H: 47.5 T: 15.0

W: 127.8 H: 47.5 T: 15.0

W: 127.8 H: 47.5 T: 15.0

151
▼

W: 141.5 H: 35.0 T: 15.5

W: 141.5 H: 35.0 T: 15.5

152
▼

W: 108.0 H: 34.0 T: 15.5

W: 108.0 H: 34.0 T: 15.5

W: 108.0 H: 34.0 T: 15.5

155
▼

W: 160.7 H: 48.5 T: 17.0

W: 160.7 H: 48.5 T: 17.0

W: 160.7 H: 48.5 T: 17.0

156
▼

W: 127.8 H: 49.0 T: 14.5

157
▼

W: 95.2 H: 43.5 T: 14.5

158
▼

W: 127.7 H: 48.5 T: 15.5

W: 127.7 H: 48.5 T: 15.5

W: 127.7 H: 48.5 T: 15.5

159
▼

W: 106.7 H: 63.0 T: 15.0

160
▼

W: 103.0 H: 44.0 T: 15.0

W: 103.0 H: 44.0 T: 15.0

W: 116.0 H: 41.0 T: 15.0

161
▼

W: 127.5 H: 51.0 T: 17.0

167
▼

W: 127.7 H: 50.5 T: 17.0

W: 127.7 H: 50.5 T: 17.0

W: 127.7 H: 50.5 T: 17.0

175
▼

W: 125.3 H: 53.3 T: 15.5

W: 125.3 H: 53.3 T: 15.5

179
▼

W: 107.4 H: 40.0 T: 15.0

W: 107.4 H: 40.0 T: 15.0

W: 107.4 H: 40.0 T: 15.0

183
▼

W: 127.8 H: 49.0 T: 17.0

W: 127.8 H: 49.0 T: 17.0

W: 127.8 H: 49.0 T: 17.0

189
▼

W: 119.7 H: 51.3 T: 15.0

164
▼

W: 114.8 H: 39.5 T: 16.0

W: 114.8 H: 39.5 T: 16.0

W: 114.8 H: 39.5 T: 16.0

168
▼

W: 107.8 H: 35.0 T: 15.0

W: 107.8 H: 35.0 T: 15.0

176
▼

W: 125.5 H: 37.5 T: 15.0

180
▼

W: 127.9 H: 48.0 T: 15.5

184
▼

W: 145.5 H: 55.5 T: 15.5

190
▼

W: 133.0 H: 50.0 T: 15.5

W: 133.0 H: 50.0 T: 15.5

W: 133.0 H: 50.0 T: 15.5

165
▼

W: 98.8 H: 29.5 T: 14.0

W: 98.8 H: 29.5 T: 14.0

W: 98.8 H: 29.5 T: 14.0

169
▼

W: 128.4 H: 55.0 T: 15.5

W: 127.0 H: 55.0 T: 15.5

177
▼

W: 129.0 H: 51.0 T: 17.5

W: 129.0 H: 51.0 T: 17.5

W: 129.0 H: 51.0 T: 17.5

181
▼

W: 140.0 H: 53.5 T: 15.5

187
▼

W: 116.0 H: 49.0 T: 15.5

191
▼

W: 103.0 H: 37.0 T: 14.0

166
▼

W: 127.7 H: 50.5 T: 17.0

174
▼

W: 142.0 H: 53.3 T: 16.5

178
▼

W: 85.1 H: 46.0 T: 15.0

W: 85.1 H: 46.0 T: 15.0

W: 85.1 H: 46.0 T: 15.0

182
▼

W: 127.7 H: 46.0 T: 16.0

W: 127.7 H: 46.0 T: 16.0

W: 127.7 H: 46.0 T: 16.0

188
▼

W: 117.0 H: 37.0 T: 13.0

W: 117.0 H: 37.0 T: 13.0

W: 117.0 H: 37.0 T: 13.0

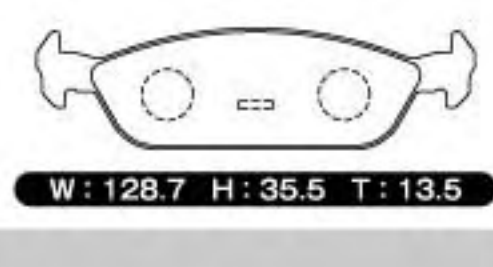
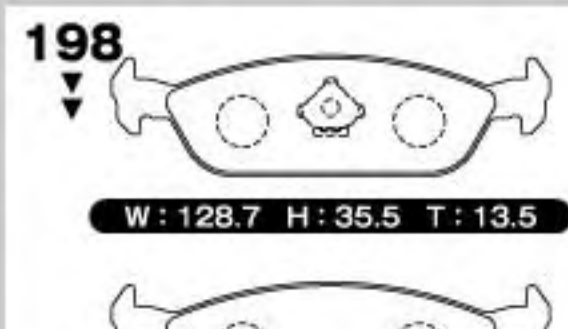
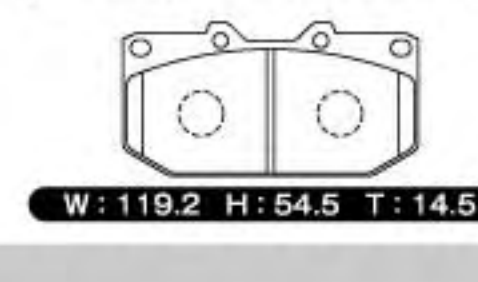
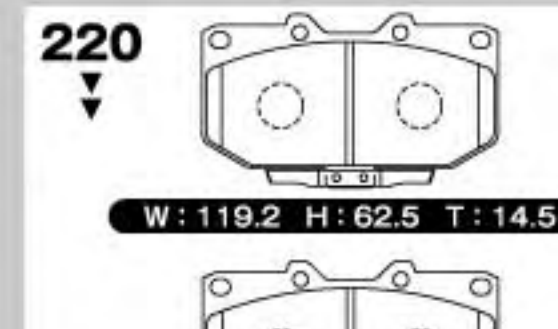
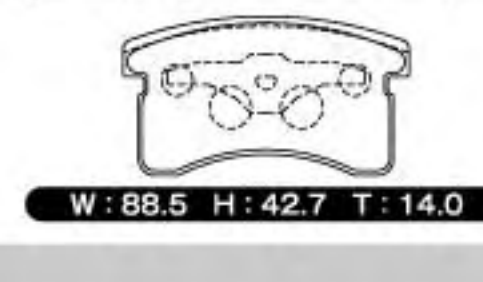
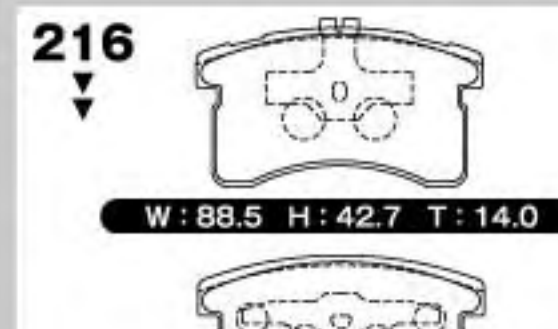
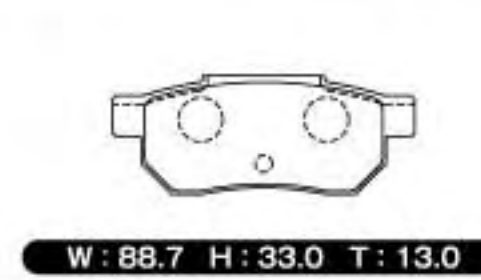
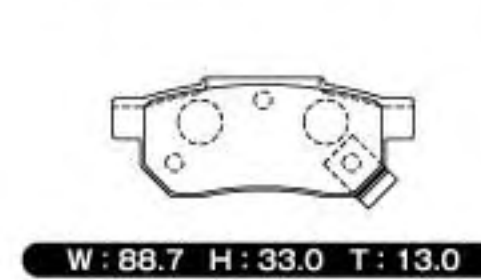
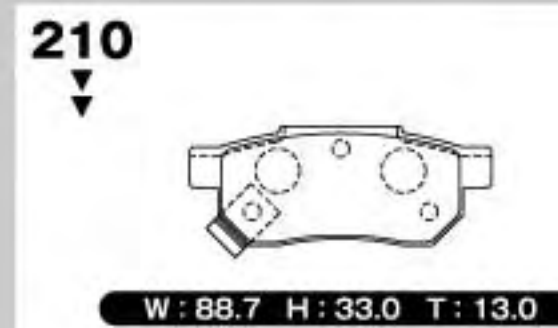
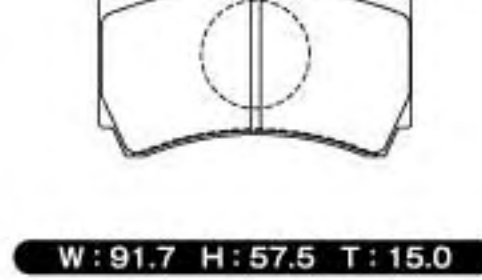
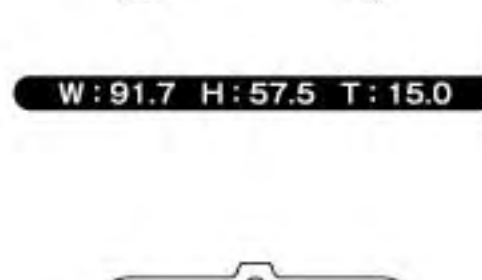
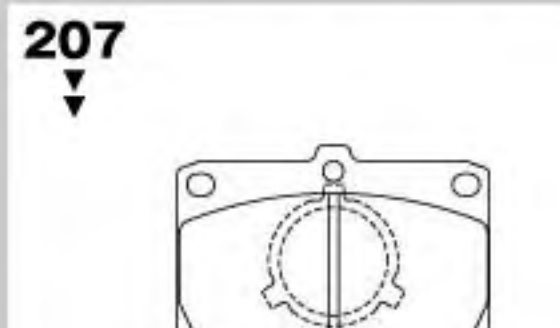
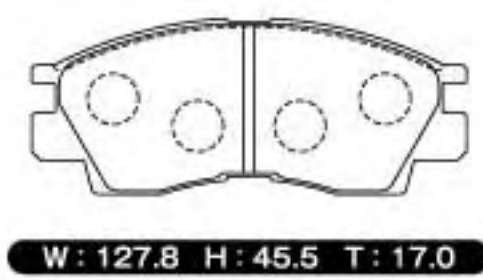
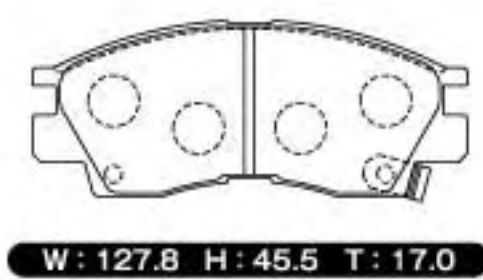
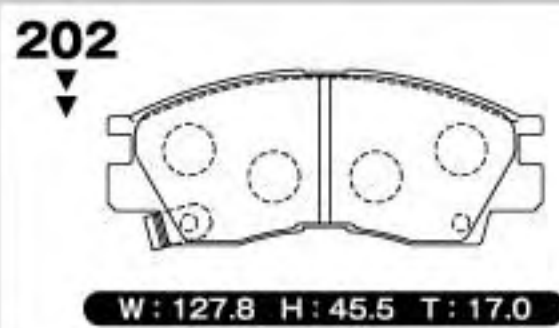
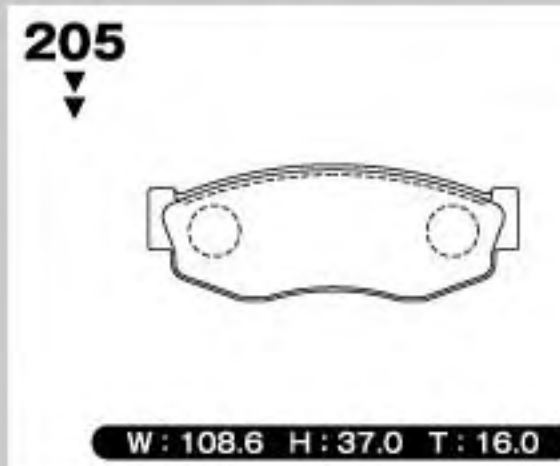
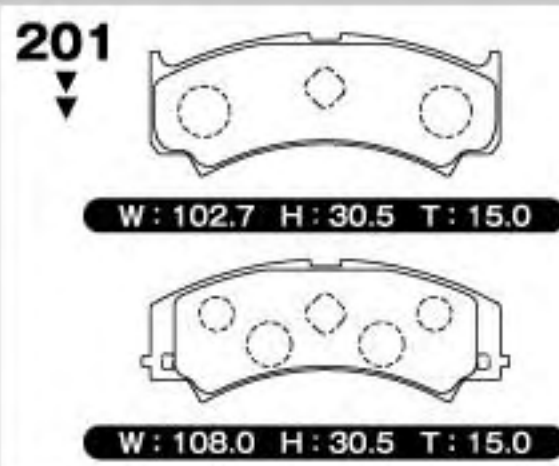
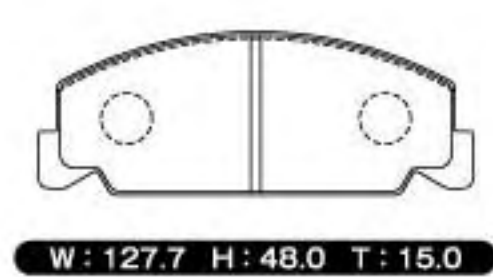
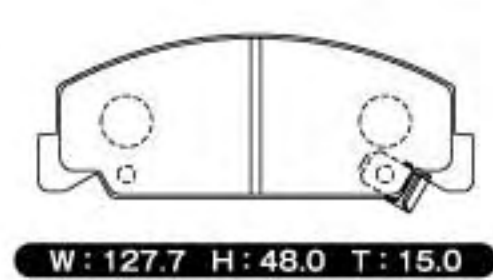
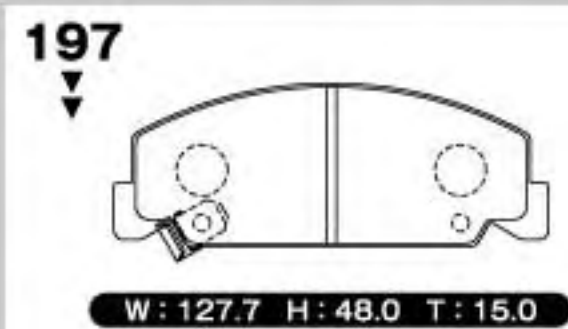
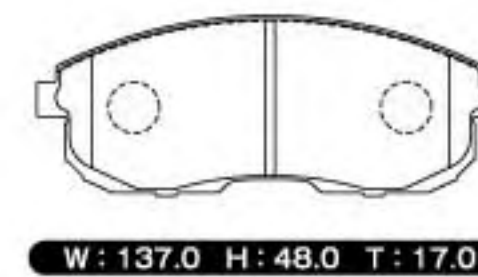
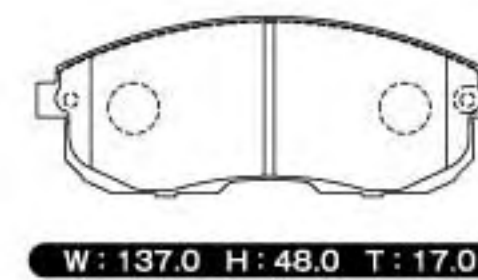
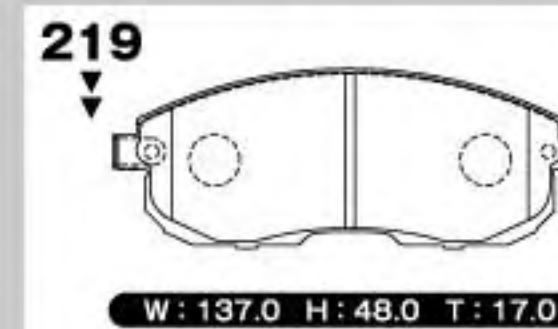
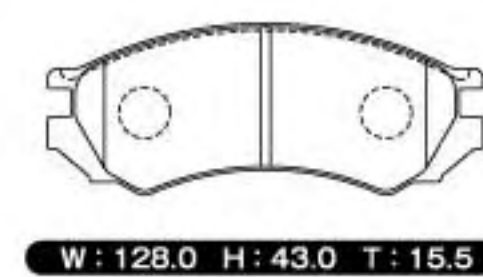
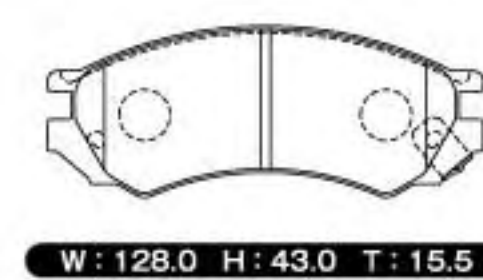
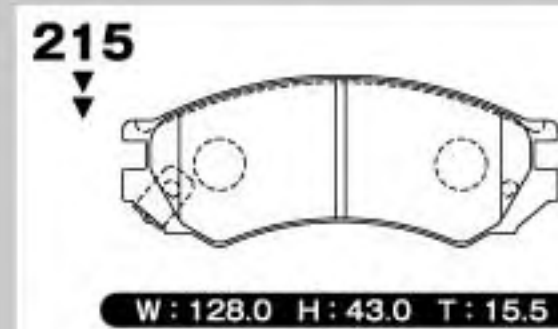
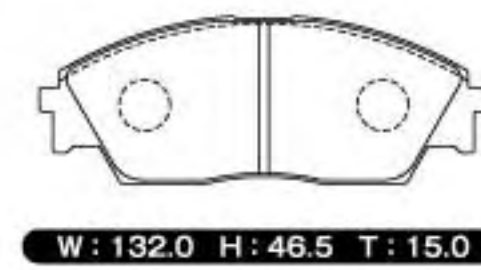
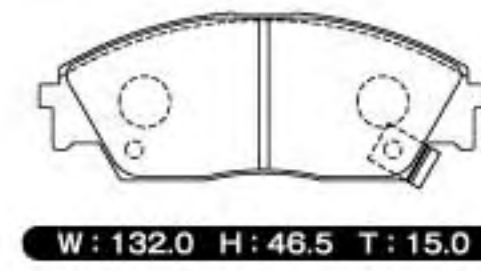
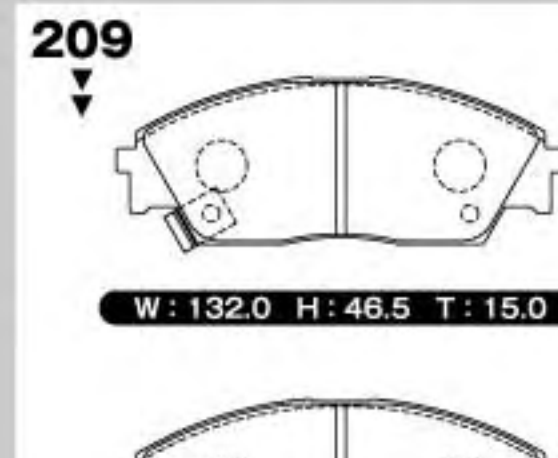
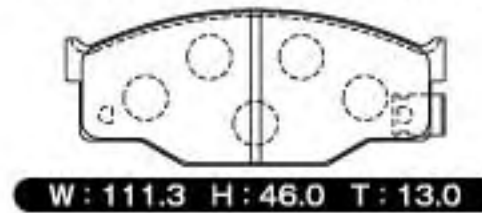
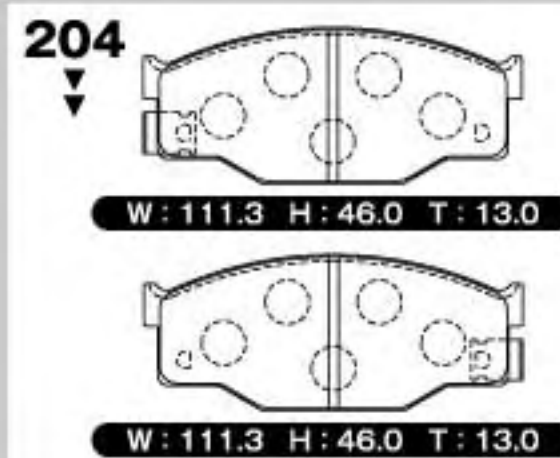
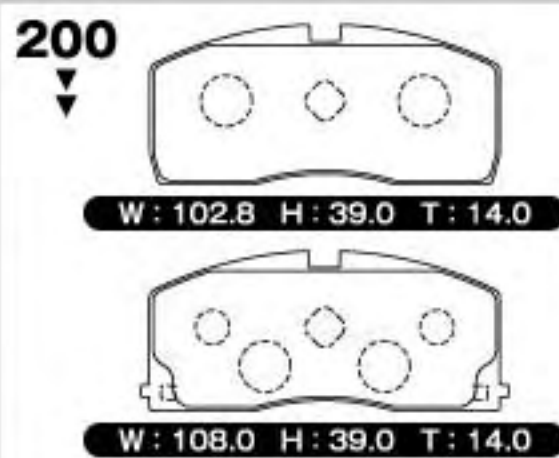
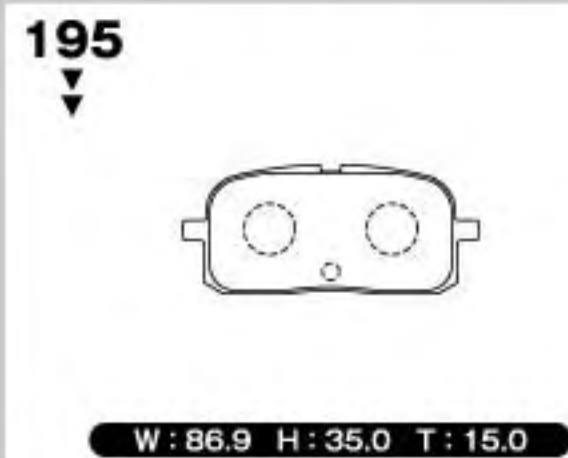
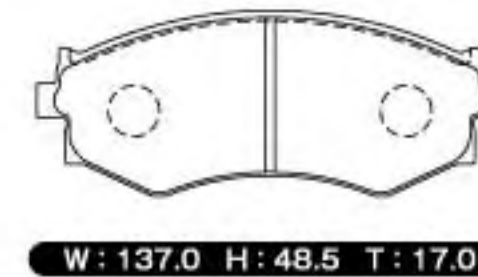
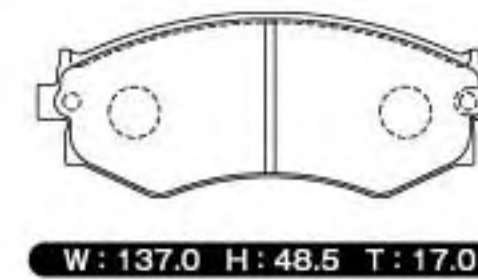
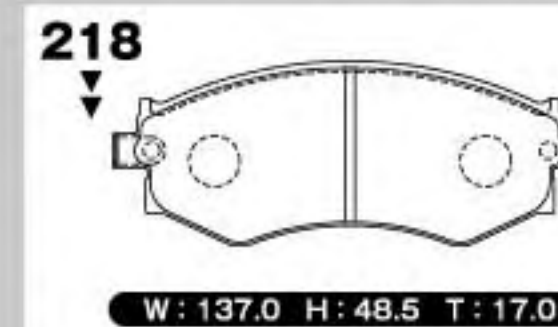
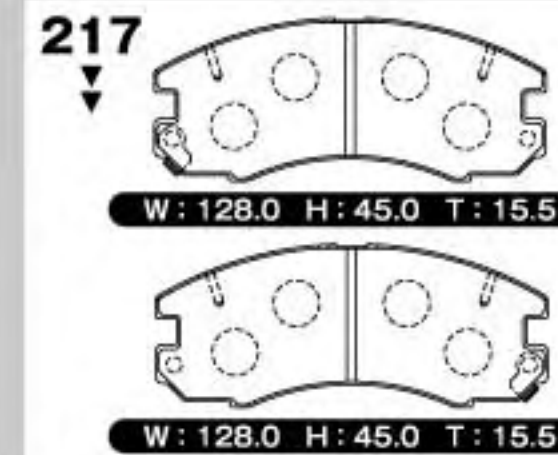
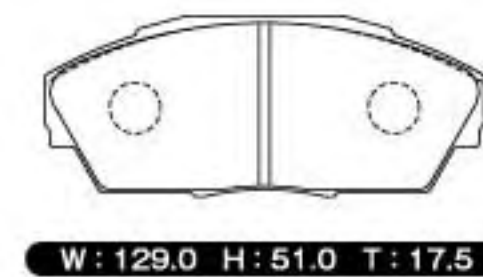
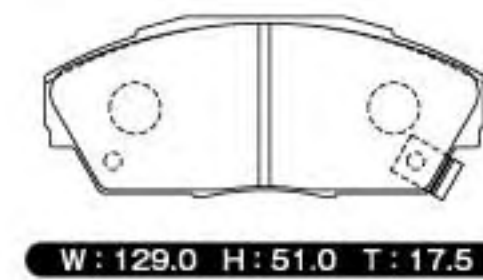
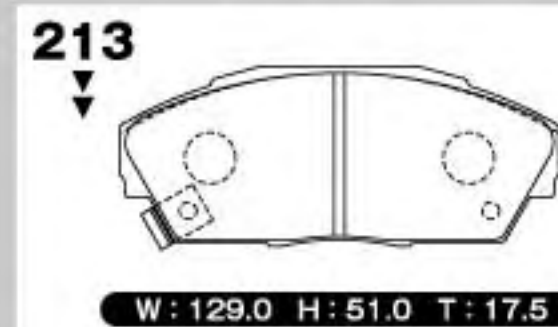
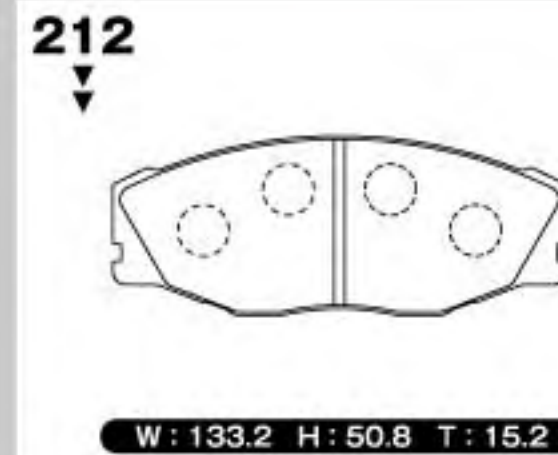
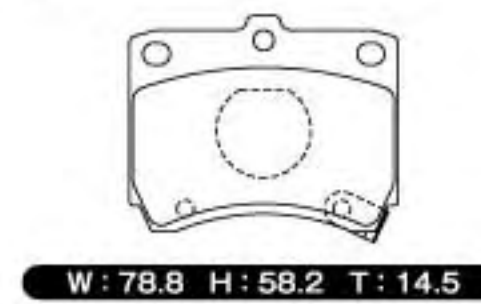
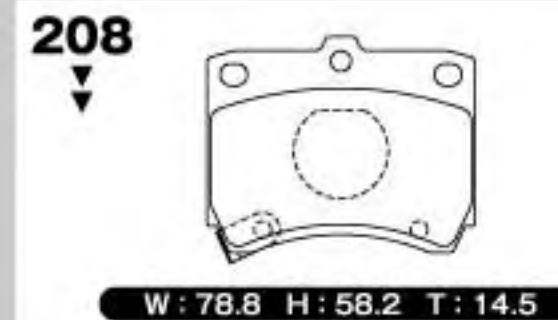
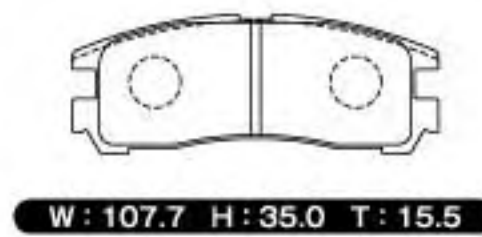
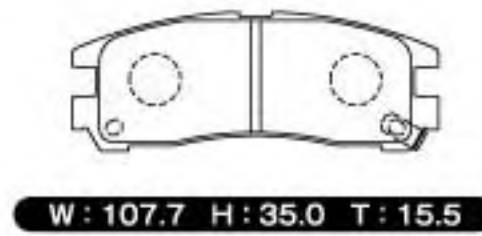
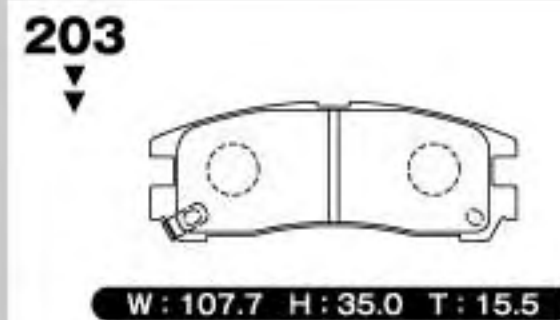
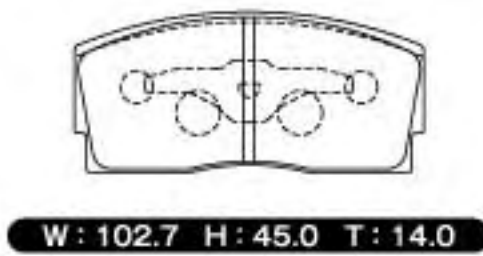
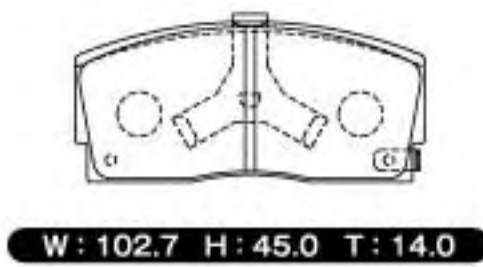
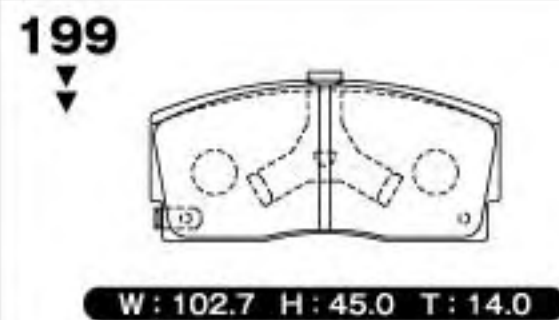
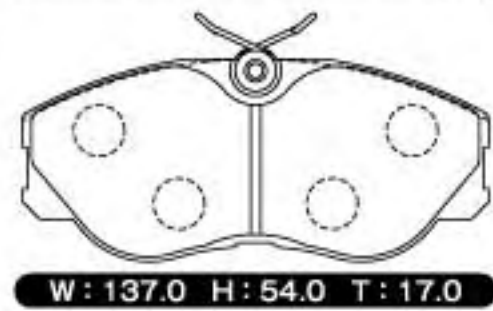
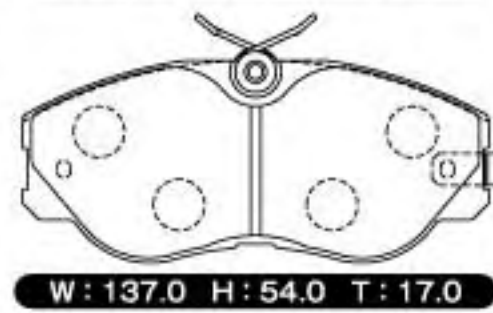
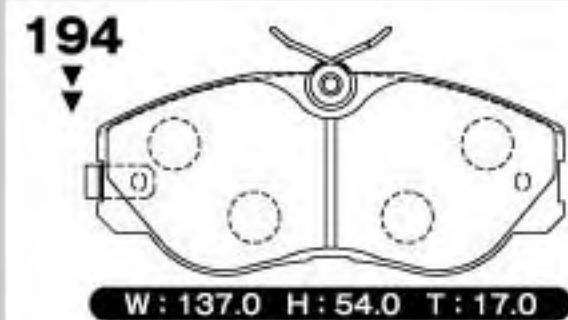
192
▼

W: 103.8 H: 37.0 T: 14.5

193
▼

W: 127.7 H: 48.0 T: 15.0

W: 127.7 H: 48.0 T: 15.0



221
▼

W: 73.3 H: 50.5 T: 16.0

W: 73.3 H: 50.5 T: 16.0

W: 73.3 H: 50.5 T: 16.0

226
▼

W: 137.7 H: 45.5 T: 17.0

W: 137.7 H: 45.5 T: 17.0

W: 137.7 H: 45.5 T: 17.0

229
▼

W: 121.0 H: 44.0 T: 15.5

W: 121.0 H: 44.0 T: 15.5

W: 121.0 H: 44.0 T: 15.5

232
▼

W: 119.7 H: 45.0 T: 15.0

233
▼

W: 110.0 H: 44.5 T: 14.5

237
▼

W: 107.8 H: 36.5 T: 15.0

W: 107.8 H: 36.5 T: 15.0

W: 107.8 H: 36.5 T: 15.0

240
▼

W: 109.4 H: 37.5 T: 14.0

241
▼

W: 119.4 H: 66.0 T: 15.0

W: 119.4 H: 57.0 T: 15.0

242
▼

W: 102.7 H: 30.5 T: 15.0

222
▼

W: 105.0 H: 52.5 T: 15.0

227
▼

W: 85.3 H: 41.5 T: 14.5

W: 85.3 H: 41.5 T: 14.5

230
▼

W: 114.8 H: 35.7 T: 16.0

W: 114.8 H: 35.7 T: 16.0

234
▼

W: 102.0 H: 32.0 T: 12.5

235
▼

W: 128.0 H: 50.5 T: 19.0

238
▼

W: 91.7 H: 57.5 T: 14.5

W: 91.7 H: 57.5 T: 14.5

223
▼

W: 96.4 H: 44.3 T: 14.5

228
▼

W: 85.3 H: 41.5 T: 13.0

W: 85.3 H: 41.5 T: 13.0

231
▼

W: 141.0 H: 51.0 T: 18.5

W: 141.0 H: 51.0 T: 18.5

236
▼

W: 127.8 H: 51.0 T: 17.0

W: 127.8 H: 51.0 T: 17.0

239
▼

W: 91.7 H: 64.5 T: 14.5

W: 91.7 H: 64.5 T: 14.5

243
▼

W: 111.5 H: 35.0 T: 14.5

244
▼

W: 140.5 H: 46.0 T: 15.5

245

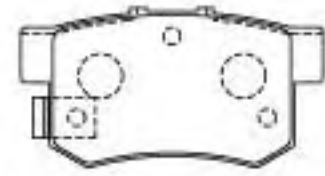


W: 106.0 H: 41.5 T: 13.5

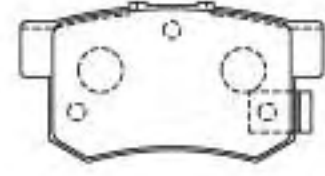


W: 132.0 H: 40.5 T: 13.5

248



W: 88.7 H: 42.5 T: 15.0

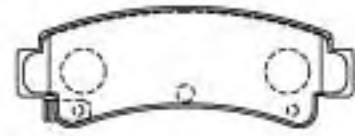


W: 88.7 H: 42.5 T: 15.0

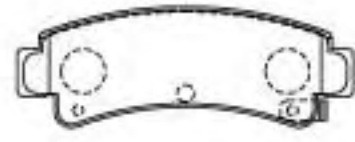


W: 88.7 H: 42.5 T: 15.0

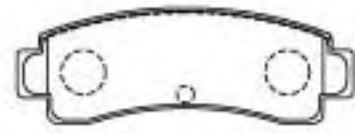
251



W: 98.8 H: 29.5 T: 16.0

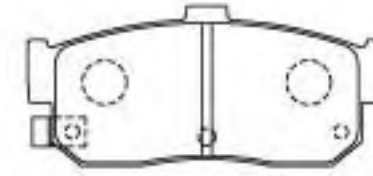


W: 98.8 H: 29.5 T: 16.0

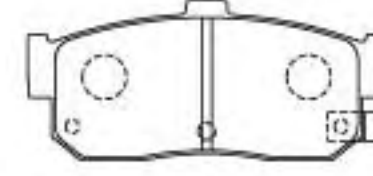


W: 98.8 H: 29.5 T: 16.0

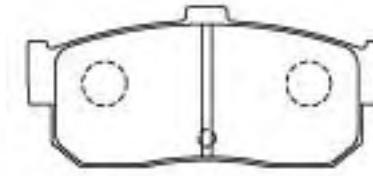
255



W: 105.3 H: 45.0 T: 16.5

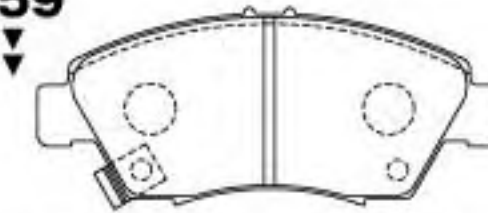


W: 105.3 H: 45.0 T: 16.5

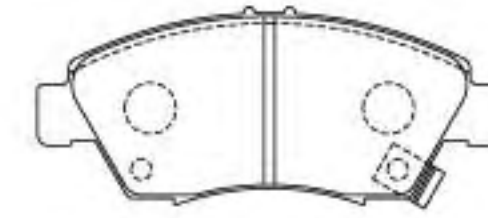


W: 105.3 H: 45.0 T: 16.5

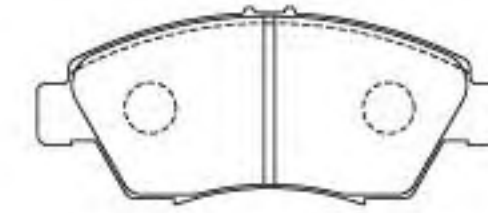
259



W: 136.5 H: 51.5 T: 16.5

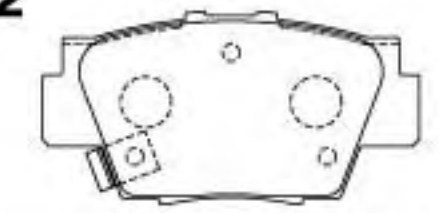


W: 136.5 H: 51.5 T: 16.5

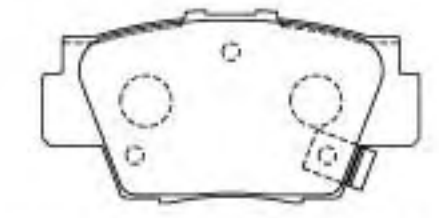


W: 136.5 H: 51.5 T: 16.5

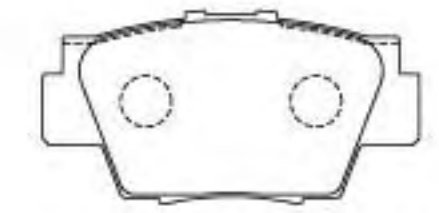
262



W: 110.7 H: 53.5 T: 15.5

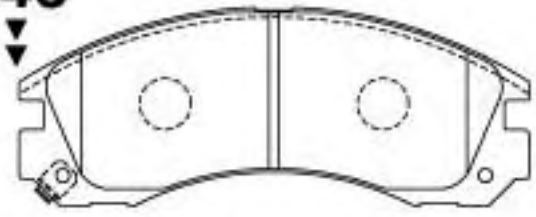


W: 110.7 H: 53.5 T: 15.5

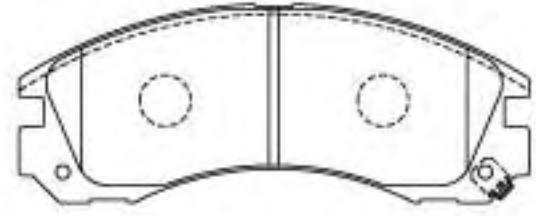


W: 110.7 H: 53.5 T: 15.5

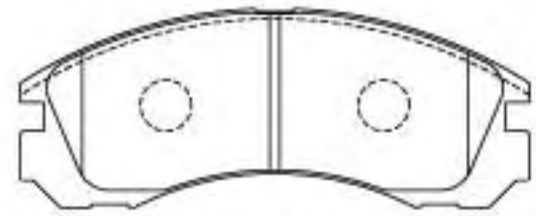
246



W: 149.8 H: 47.5 T: 16.0

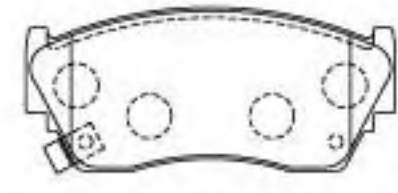


W: 149.8 H: 47.5 T: 16.0



W: 149.8 H: 47.5 T: 16.0

249



W: 108.6 H: 44.5 T: 16.5

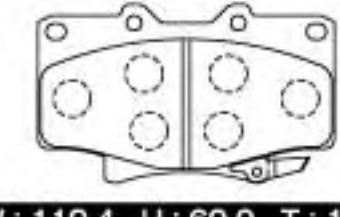


W: 108.6 H: 44.5 T: 16.5

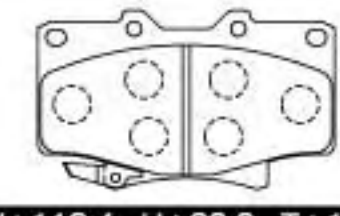


W: 108.6 H: 44.5 T: 16.5

252

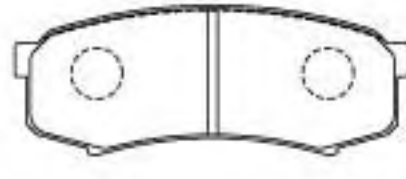


W: 119.4 H: 60.0 T: 15.0



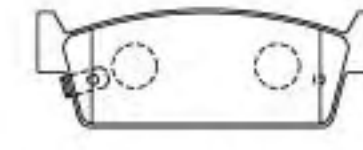
W: 119.4 H: 60.0 T: 15.0

253



W: 116.0 H: 39.0 T: 15.5

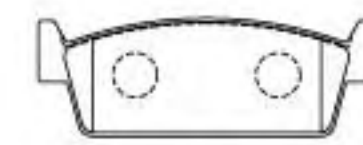
256



W: 98.8 H: 34.7 T: 15.0

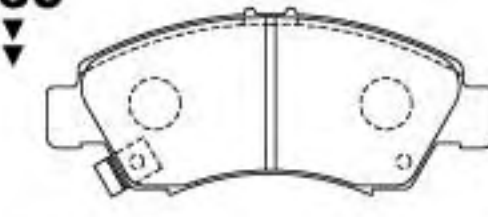


W: 98.8 H: 34.7 T: 15.0

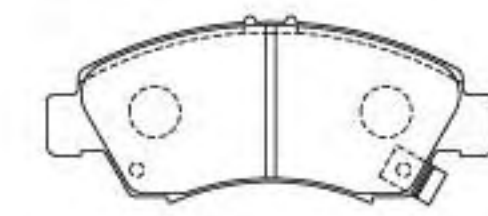


W: 98.8 H: 34.7 T: 15.0

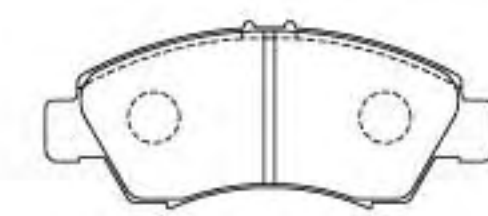
260



W: 131.5 H: 47.0 T: 15.0

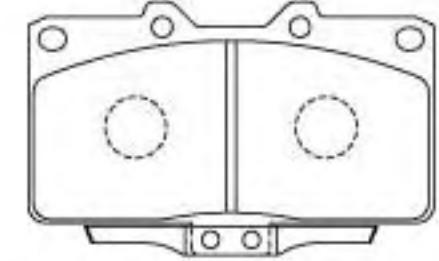


W: 131.5 H: 47.0 T: 15.0

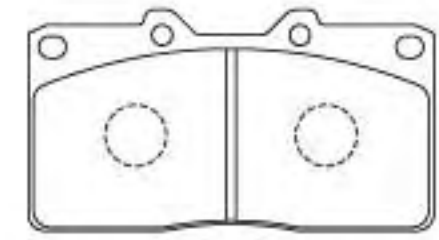


W: 131.5 H: 47.0 T: 15.0

263

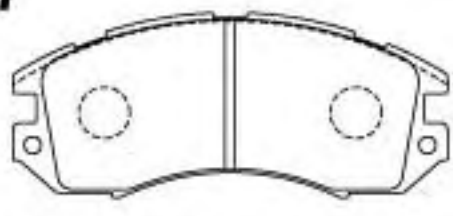


W: 119.2 H: 67.0 T: 15.0

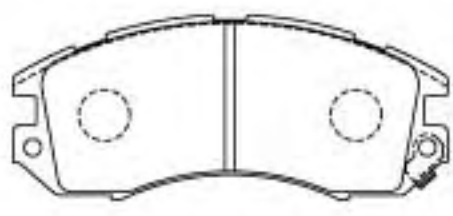


W: 119.2 H: 55.5 T: 15.0

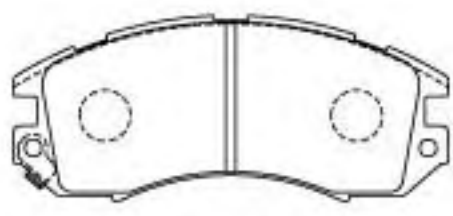
247



W: 127.8 H: 45.5 T: 17.0

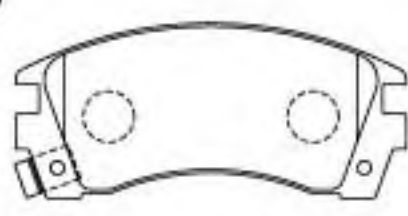


W: 127.8 H: 45.5 T: 17.0

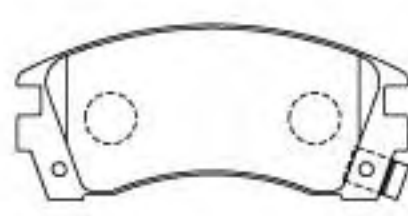


W: 127.8 H: 45.5 T: 17.0

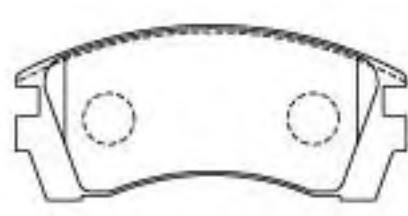
250



W: 114.8 H: 44.0 T: 16.0

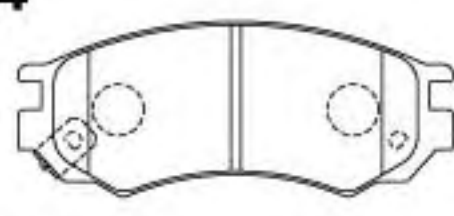


W: 114.8 H: 44.0 T: 16.0

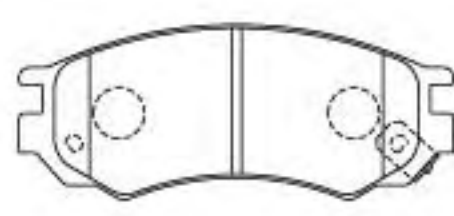


W: 114.8 H: 44.0 T: 16.0

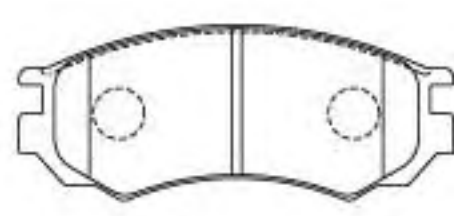
254



W: 127.7 H: 45.0 T: 15.0

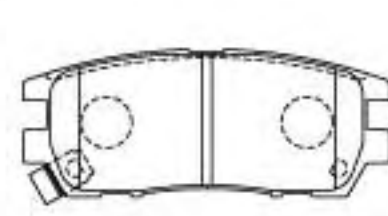


W: 127.7 H: 45.0 T: 15.0

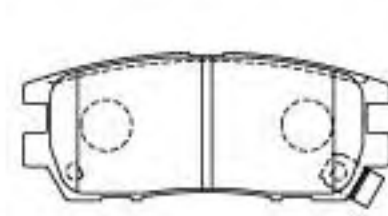


W: 127.7 H: 45.0 T: 15.0

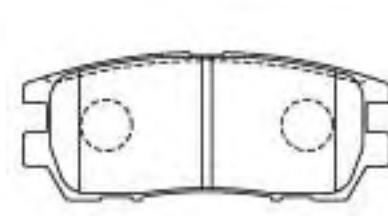
257



W: 107.8 H: 40.0 T: 14.0

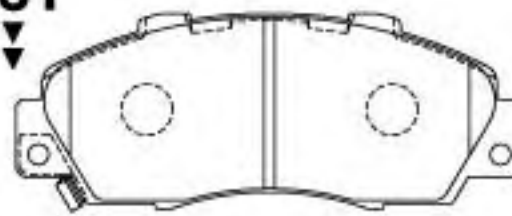


W: 107.8 H: 40.0 T: 14.0

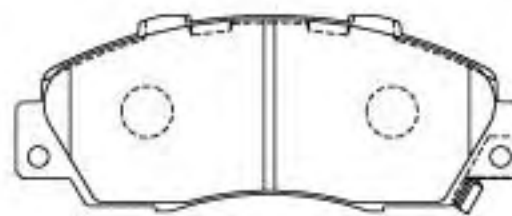


W: 107.8 H: 40.0 T: 14.0

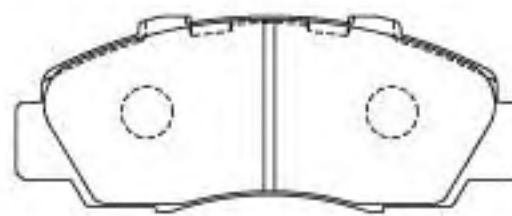
261



W: 148.8 H: 52.5 T: 17.5

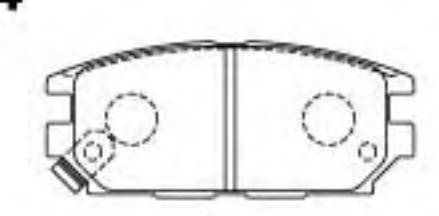


W: 148.8 H: 52.5 T: 17.5

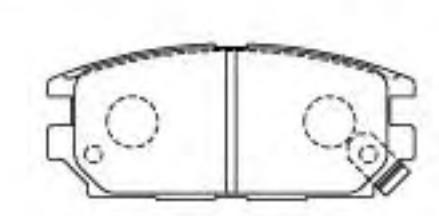


W: 148.8 H: 52.5 T: 17.5

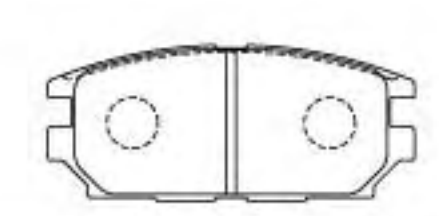
264



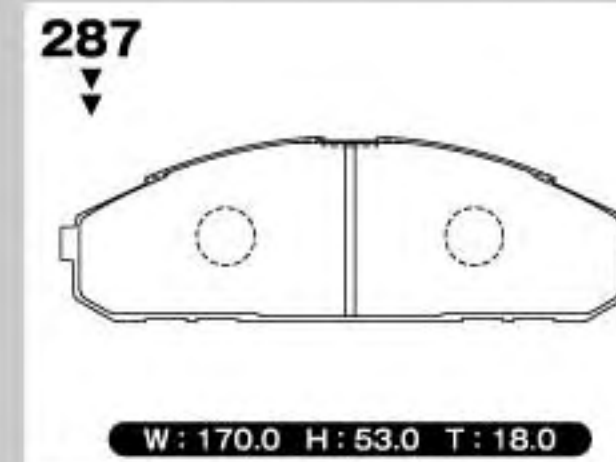
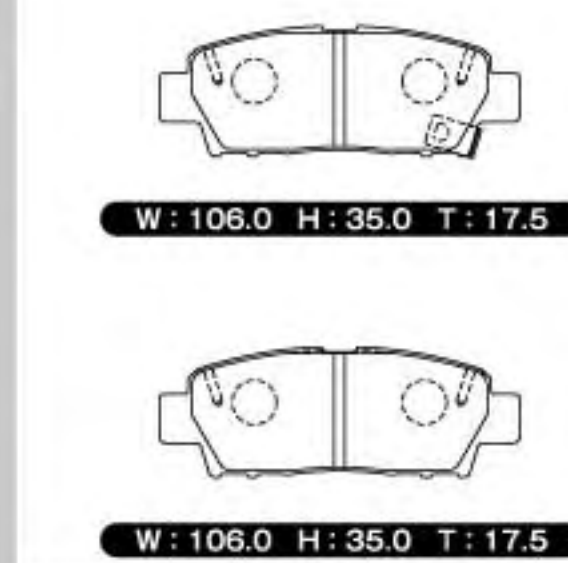
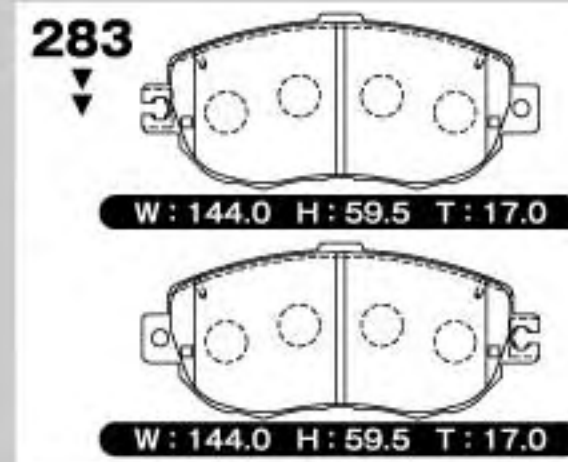
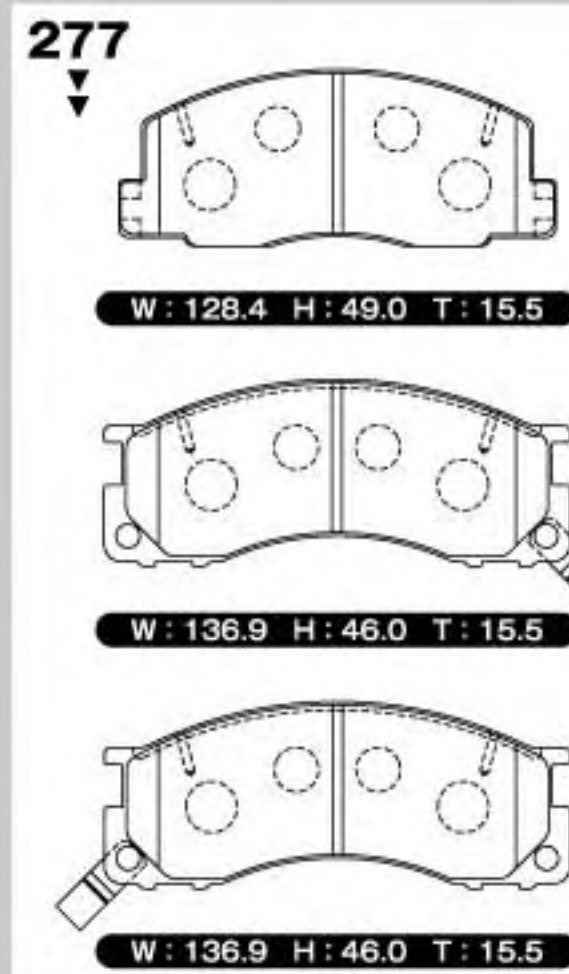
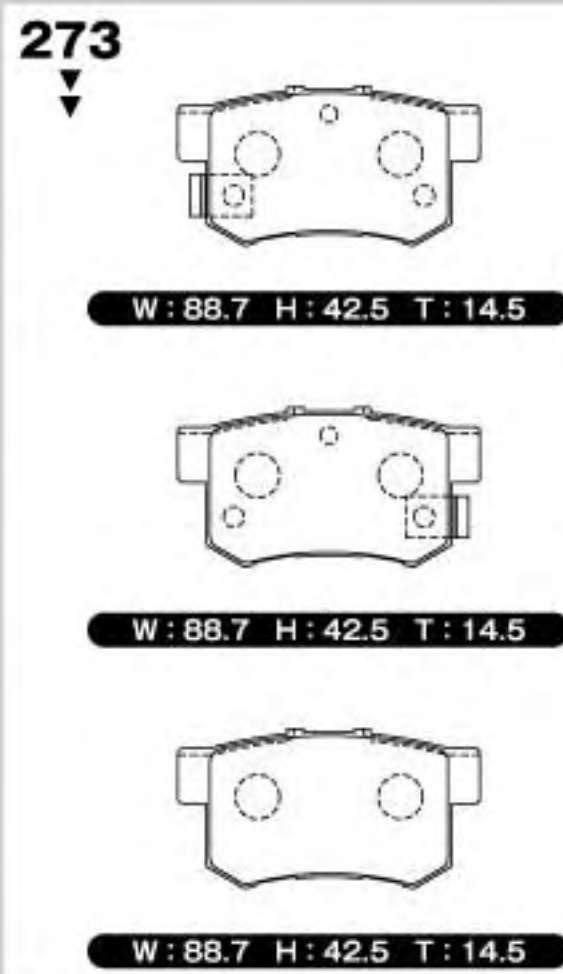
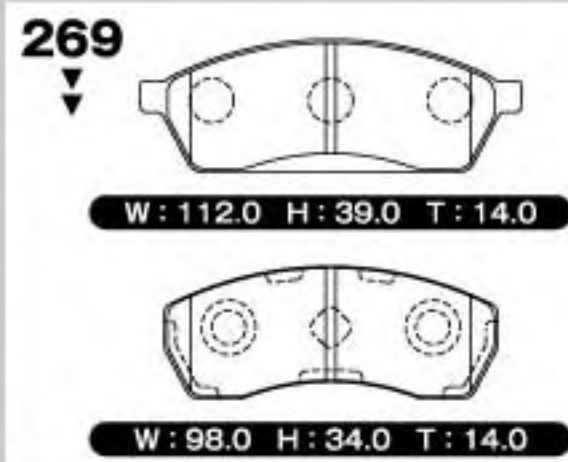
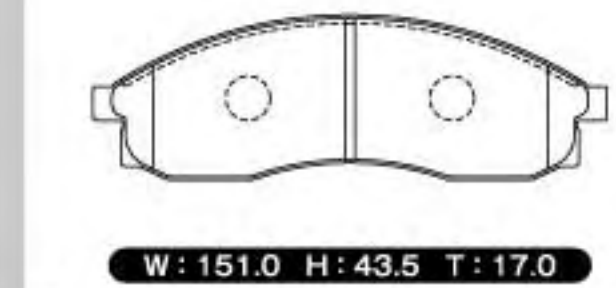
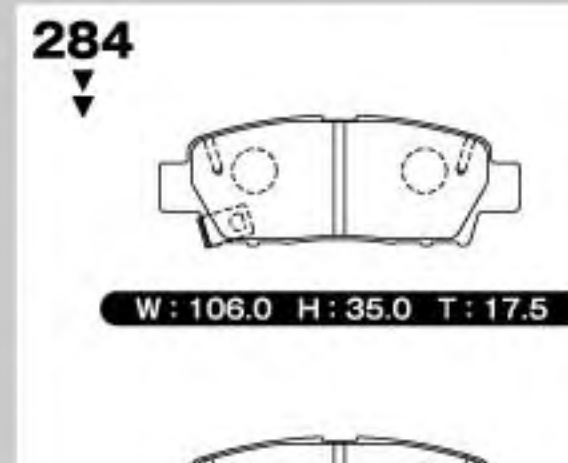
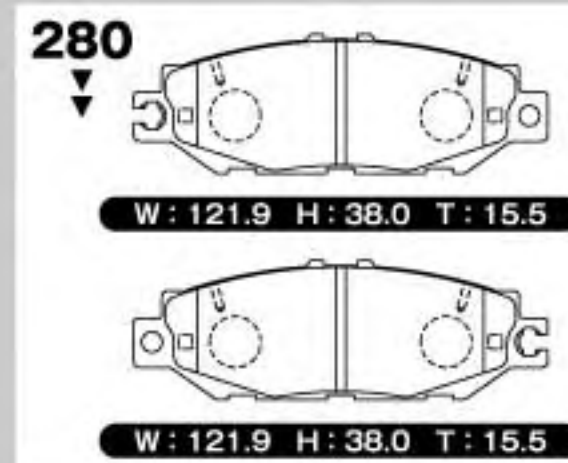
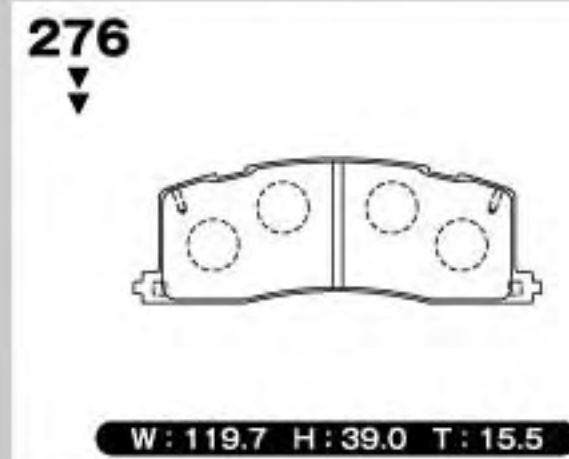
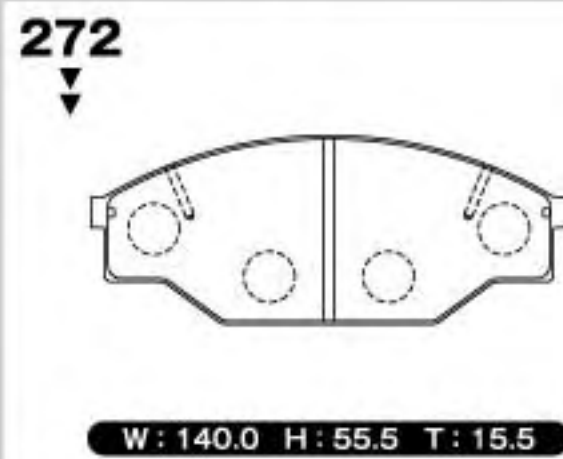
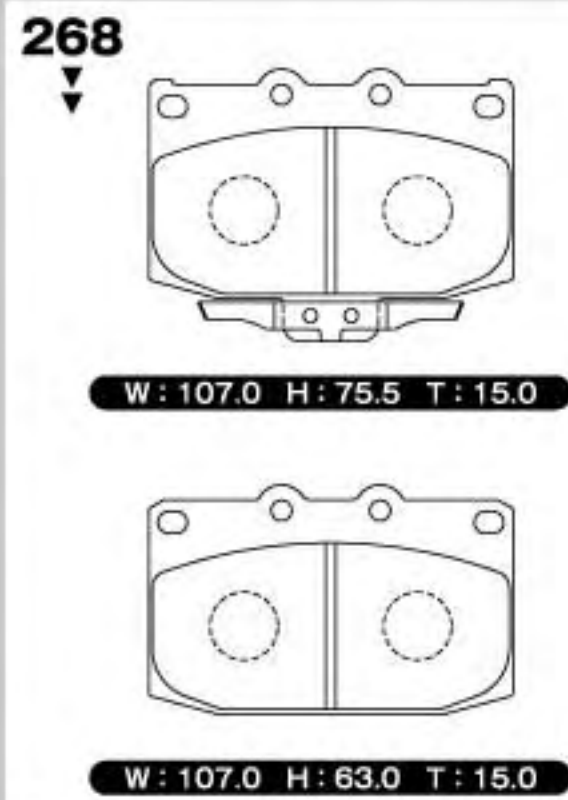
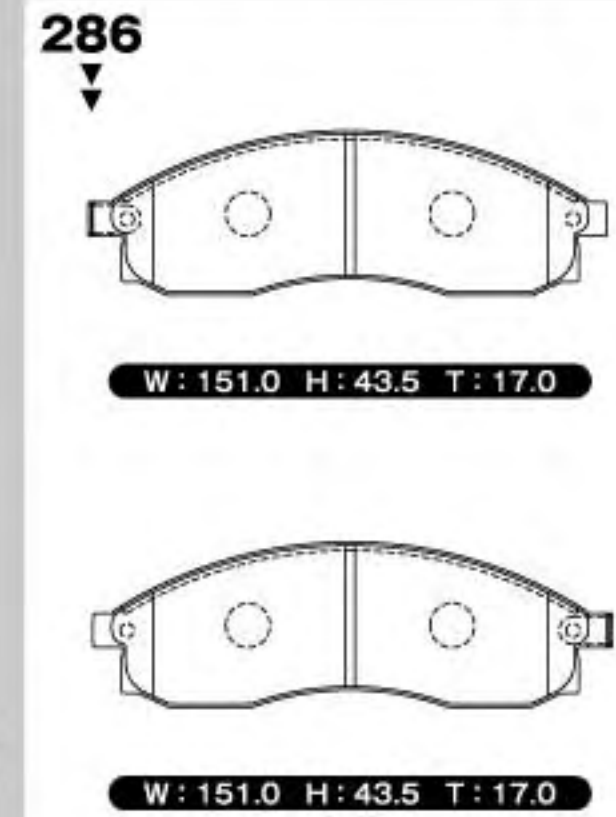
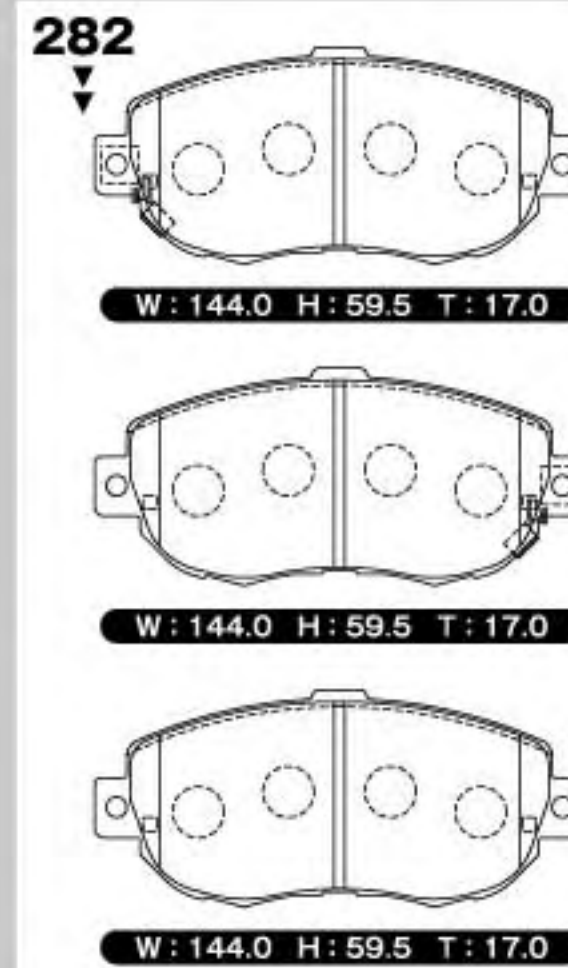
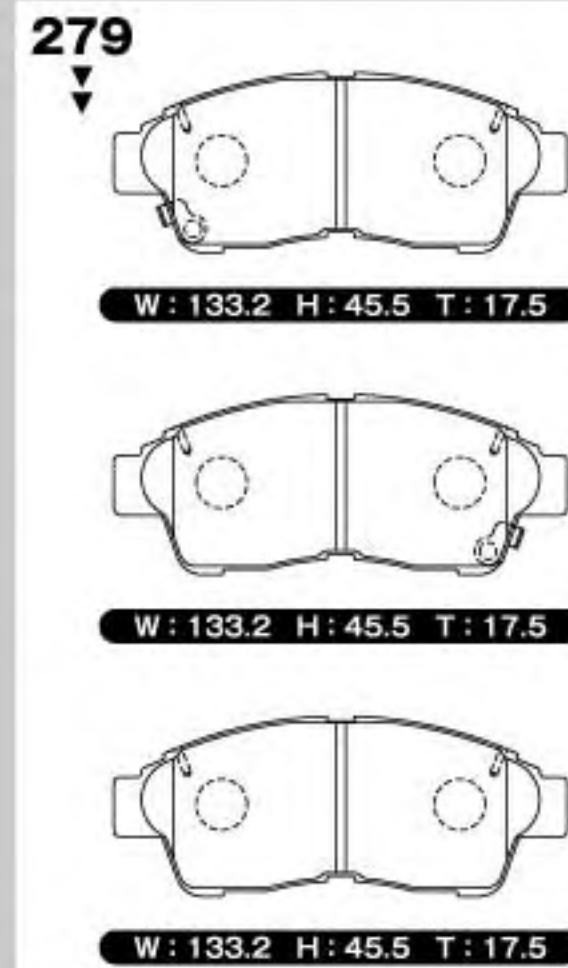
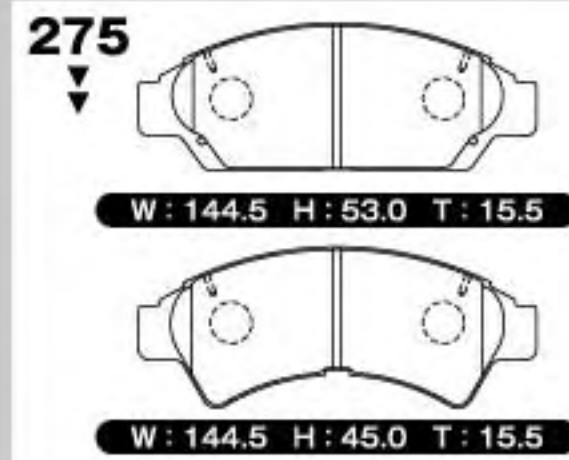
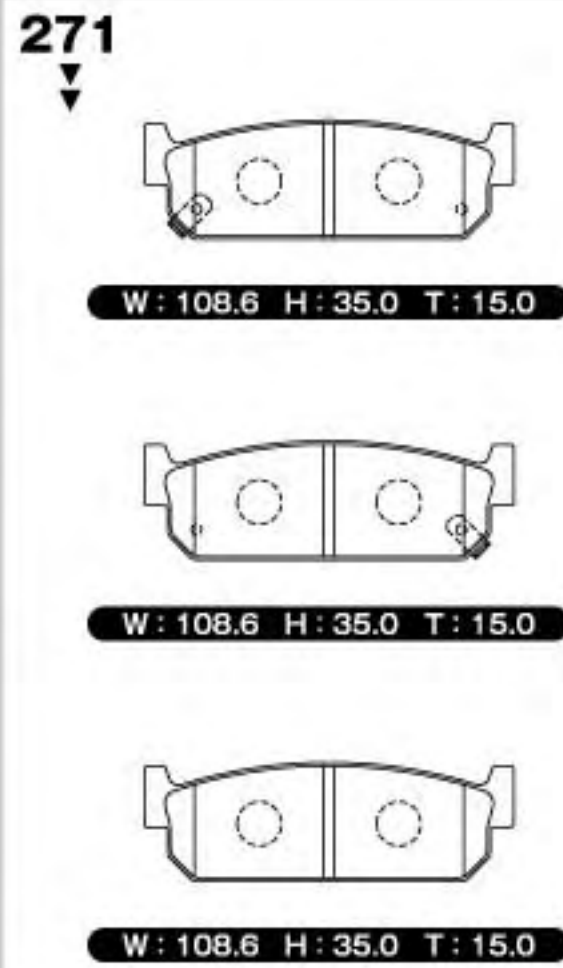
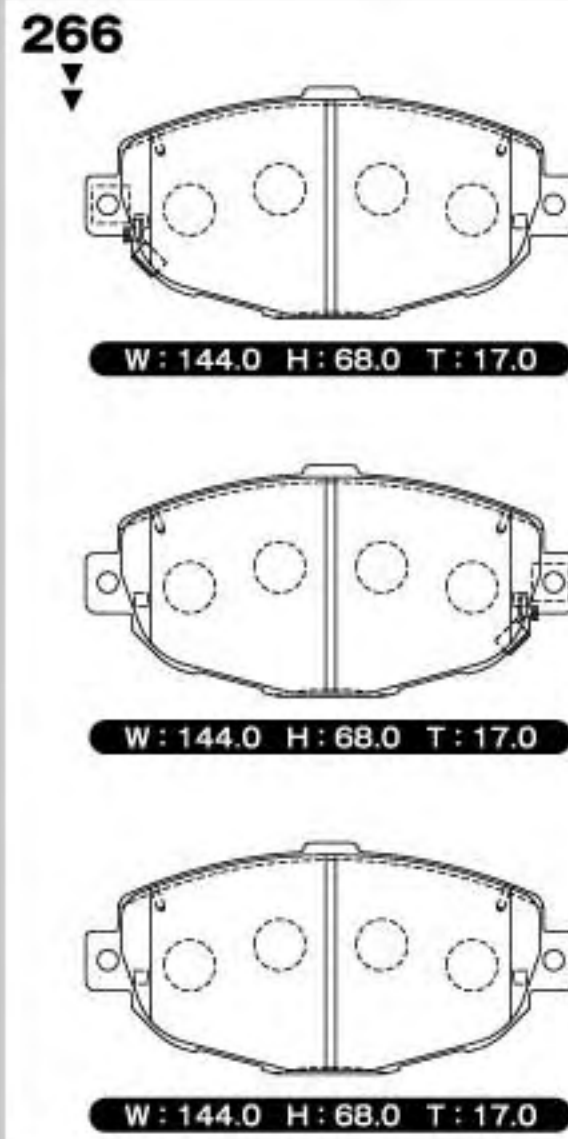
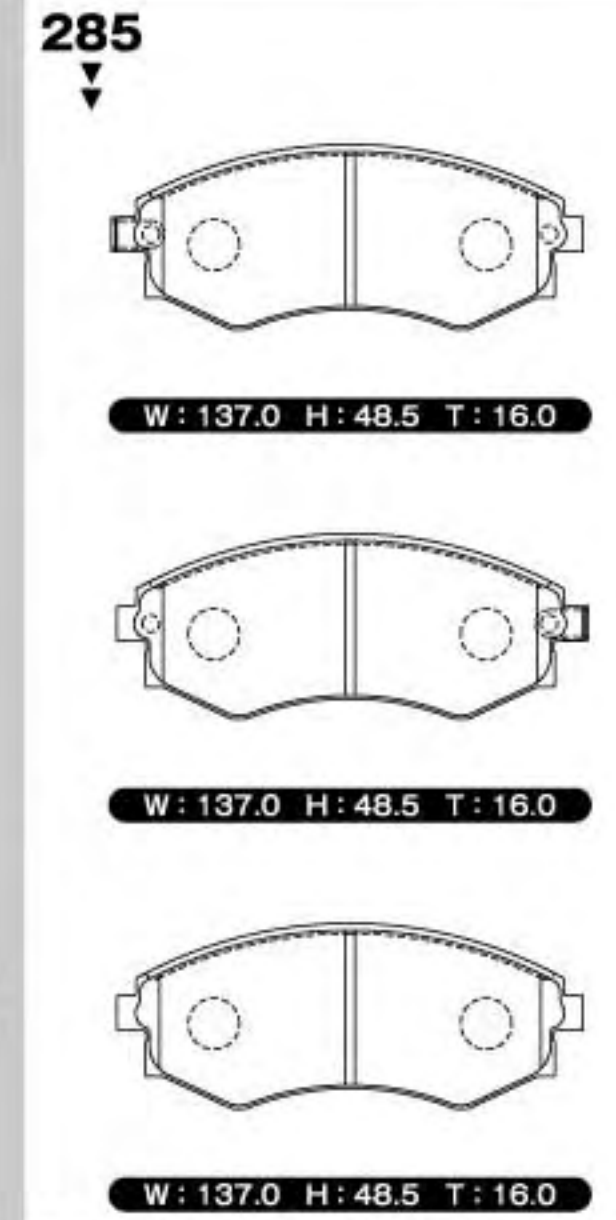
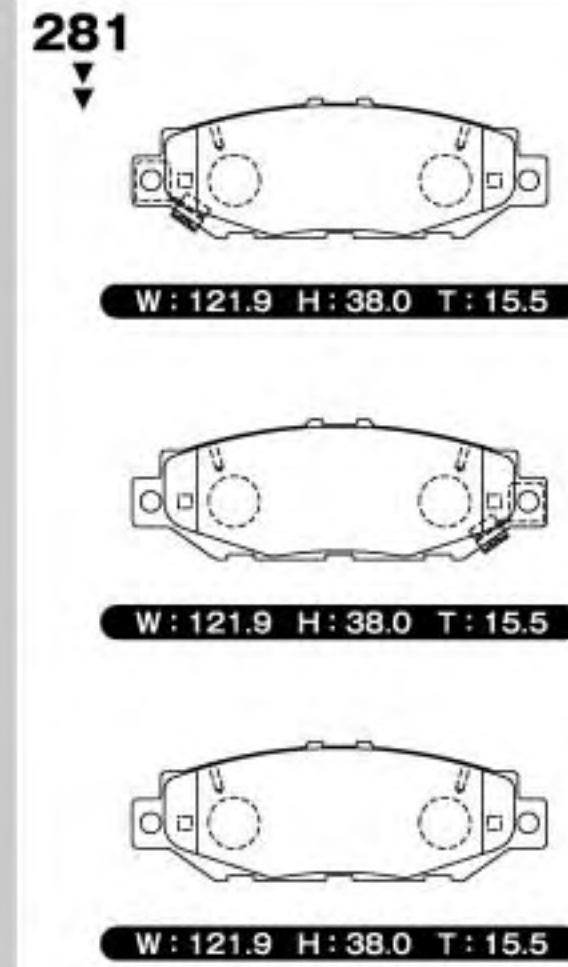
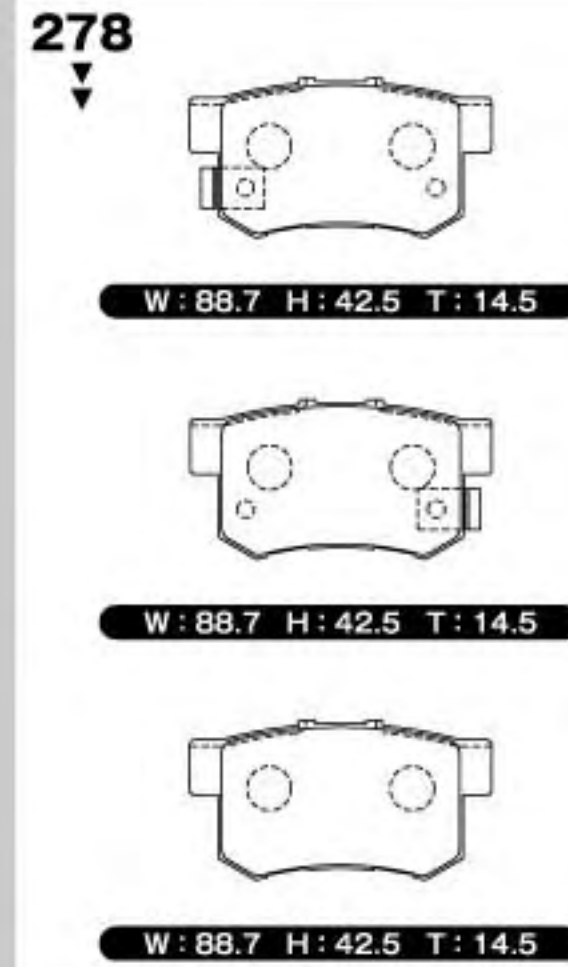
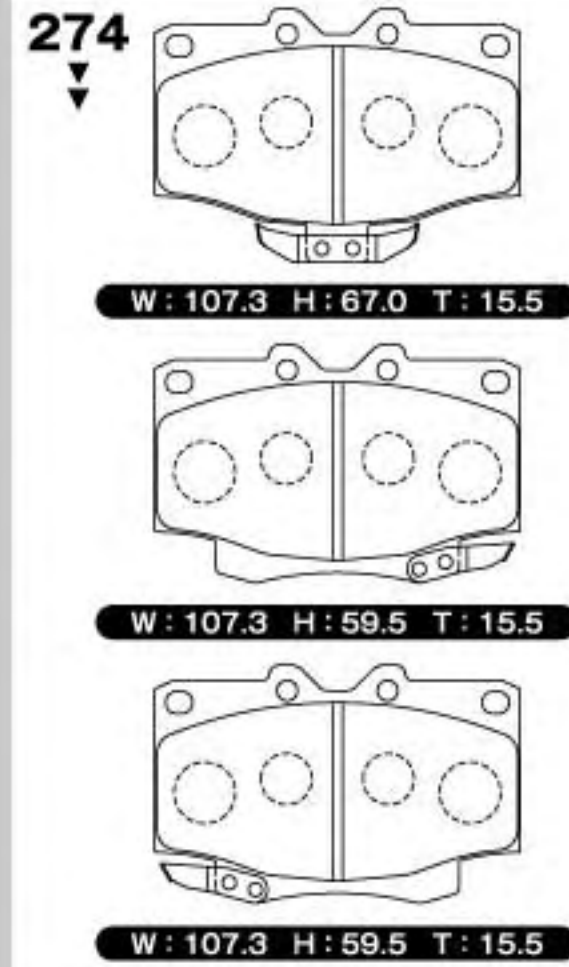
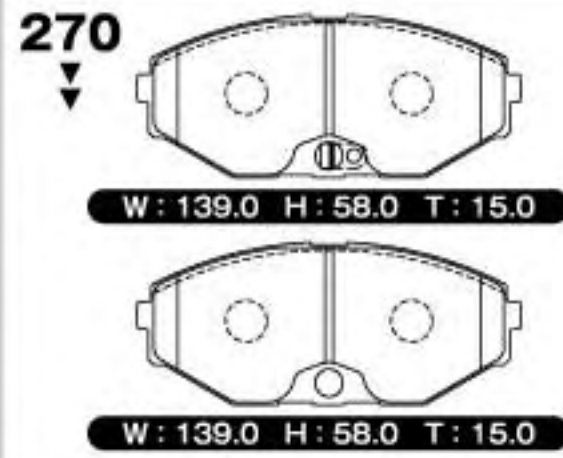
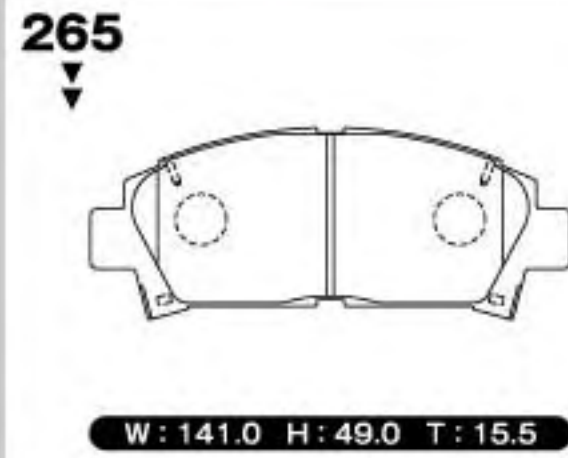
W: 107.8 H: 44.0 T: 15.5



W: 107.8 H: 44.0 T: 15.5



W: 107.8 H: 44.0 T: 15.5



288
▼

W: 85.4 H: 30.0 T: 13.0

W: 85.4 H: 30.0 T: 13.0

W: 85.4 H: 30.0 T: 13.0

292
▼

W: 117.0 H: 37.0 T: 15.5

W: 117.0 H: 37.0 T: 15.5

W: 117.0 H: 37.0 T: 15.5

296
▼

W: 130.0 H: 43.0 T: 16.0

W: 130.0 H: 43.0 T: 16.0

W: 130.0 H: 43.0 T: 15.0

298
▼

W: 110.0 H: 43.5 T: 14.0

306
▼

W: 160.7 H: 48.5 T: 17.0

309
▼

W: 127.8 H: 45.5 T: 16.0

301
▼

W: 81.2 H: 53.0 T: 16.0

W: 81.2 H: 62.0 T: 16.0

W: 160.7 H: 48.5 T: 17.0

W: 160.7 H: 48.5 T: 17.0

W: 127.8 H: 45.5 T: 16.0

W: 127.8 H: 45.5 T: 16.0

289
▼

W: 85.3 H: 45.0 T: 13.0

293
▼

W: 128.0 H: 53.3 T: 15.5

297
▼

W: 107.6 H: 39.0 T: 15.0

W: 107.6 H: 39.0 T: 15.0

302
▼

W: 119.2 H: 67.0 T: 15.0

W: 119.2 H: 55.5 T: 15.0

307
▼

W: 116.5 H: 40.5 T: 15.5

W: 116.5 H: 40.5 T: 15.5

310
▼

W: 98.5 H: 44.3 T: 14.5

290
▼

W: 104.0 H: 37.0 T: 13.0

294
▼

W: 100.0 H: 36.0 T: 13.5

W: 107.6 H: 39.0 T: 15.0

W: 107.6 H: 39.0 T: 15.0

303
▼

W: 98.8 H: 36.5 T: 14.5

W: 116.5 H: 40.5 T: 15.5

W: 116.5 H: 40.5 T: 15.5

311
▼

W: 105.0 H: 42.0 T: 12.5

291
▼

W: 138.0 H: 52.0 T: 16.0

W: 138.0 H: 52.0 T: 16.0

W: 138.0 H: 52.0 T: 16.0

295
▼

W: 132.0 H: 42.5 T: 15.5

W: 132.0 H: 42.5 T: 15.5

W: 132.0 H: 42.5 T: 14.5

299
▼

W: 137.8 H: 50.0 T: 18.5

W: 137.8 H: 50.0 T: 18.5

W: 137.8 H: 50.0 T: 18.5

W: 98.8 H: 36.5 T: 14.5

W: 98.8 H: 36.5 T: 14.5

308
▼

W: 103.5 H: 41.0 T: 15.0

W: 103.5 H: 41.0 T: 15.0

W: 103.5 H: 41.0 T: 15.0

312
▼

W: 119.2 H: 64.5 T: 17.0

W: 119.2 H: 64.5 T: 17.0

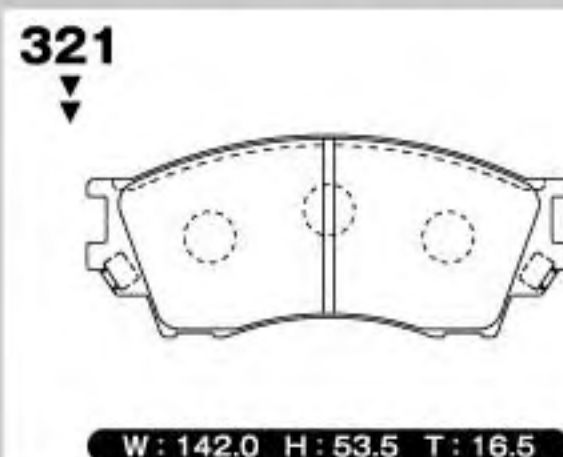
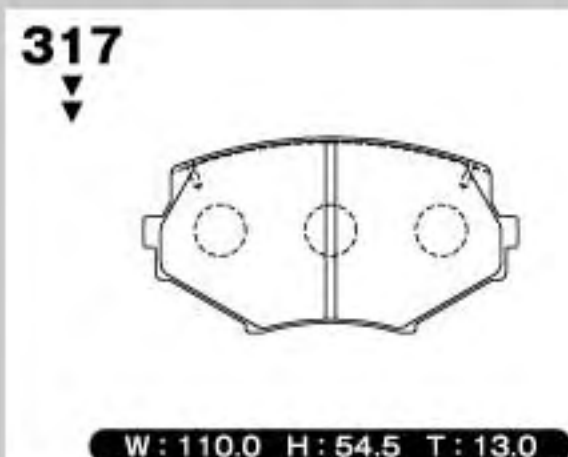
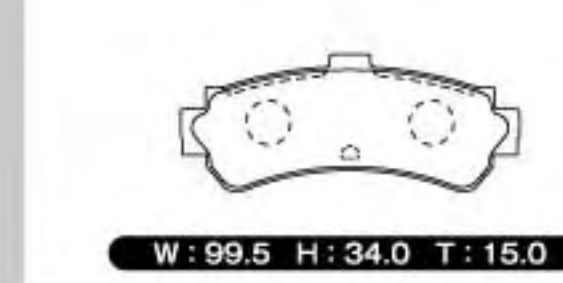
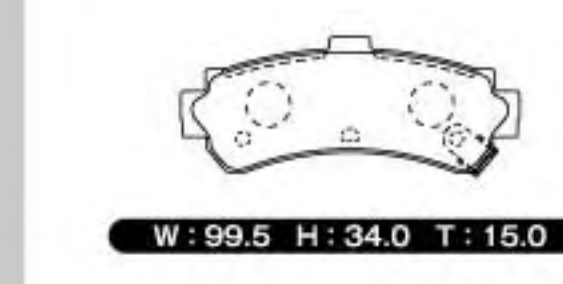
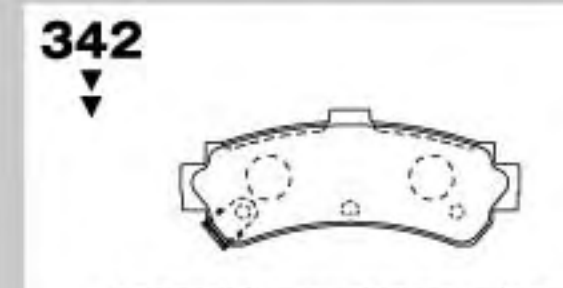
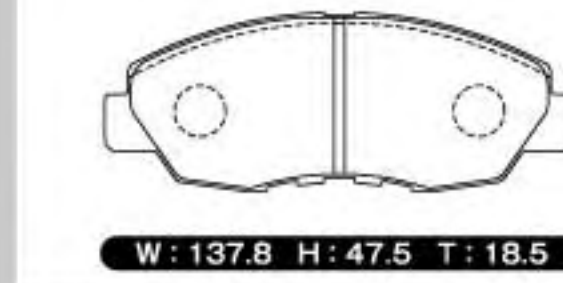
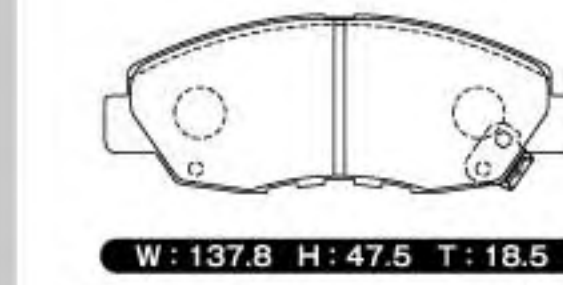
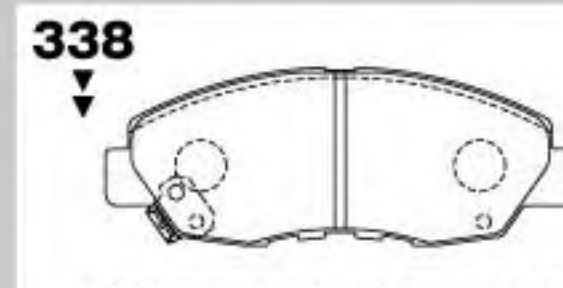
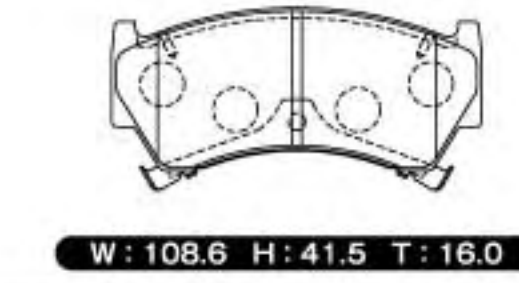
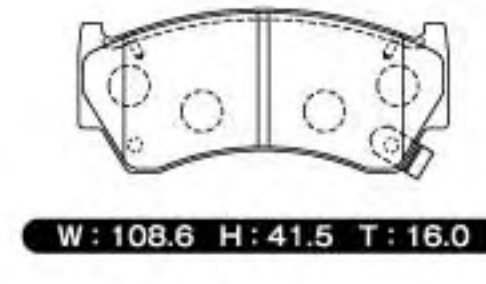
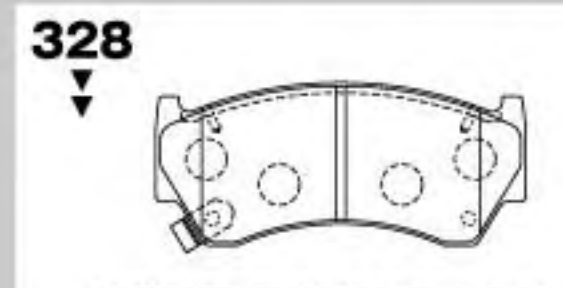
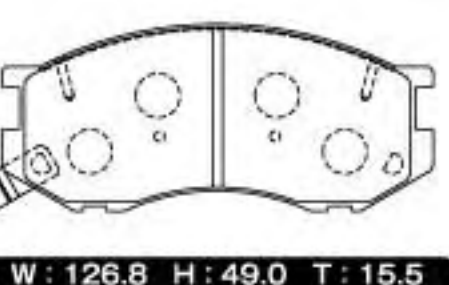
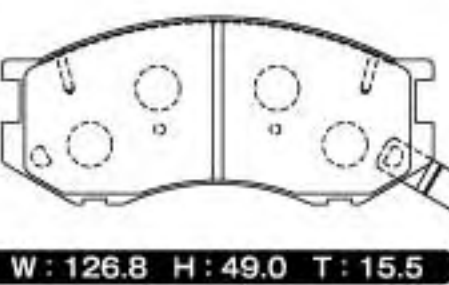
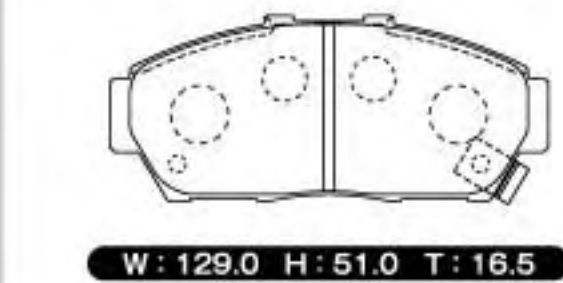
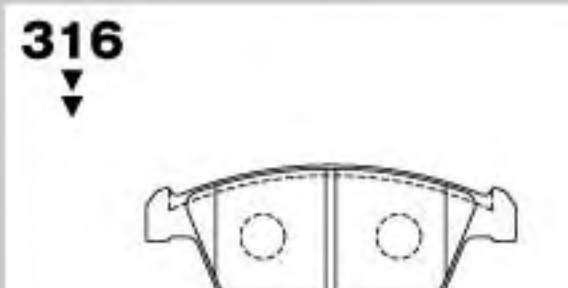
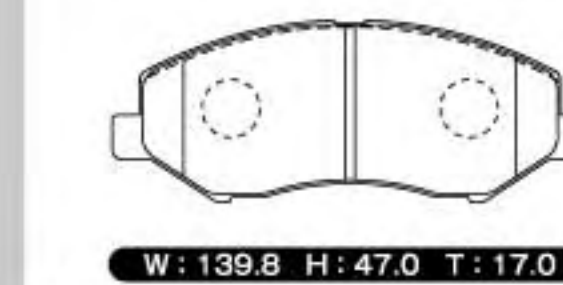
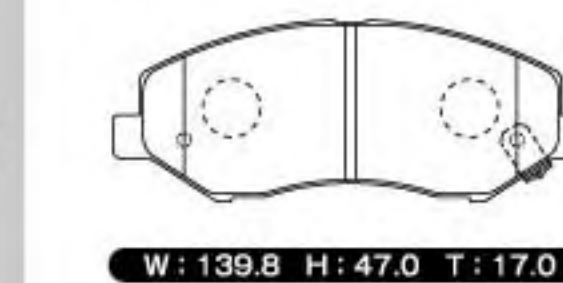
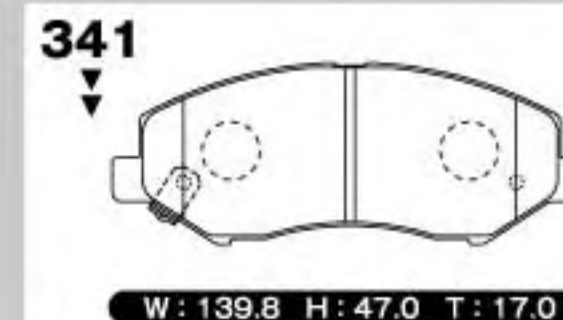
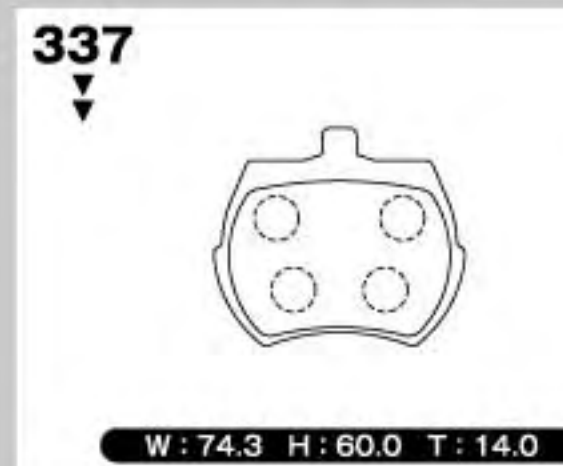
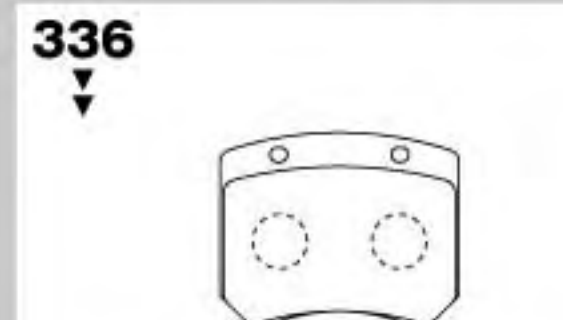
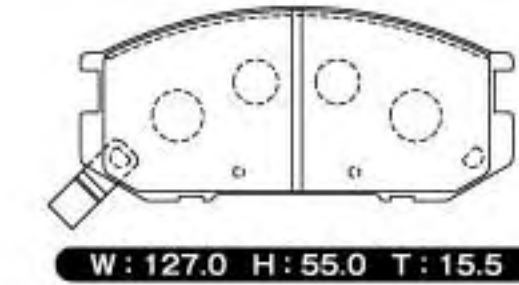
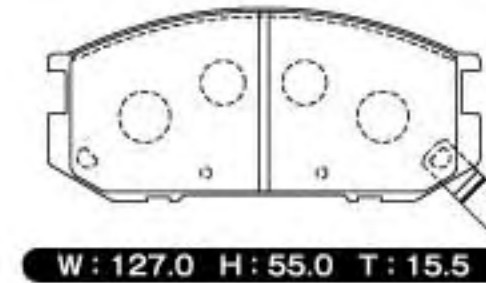
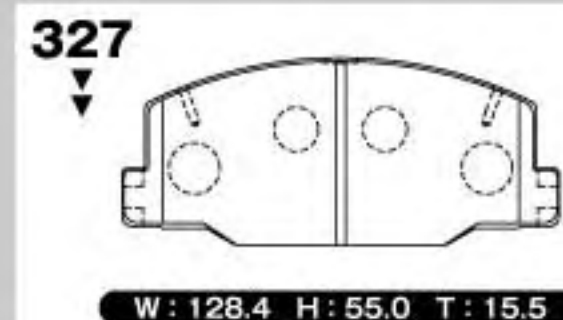
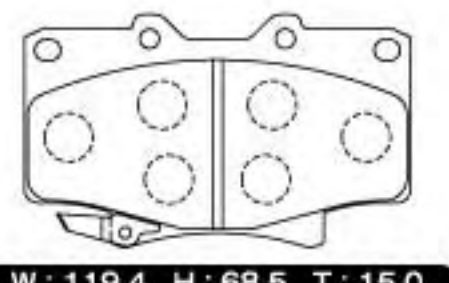
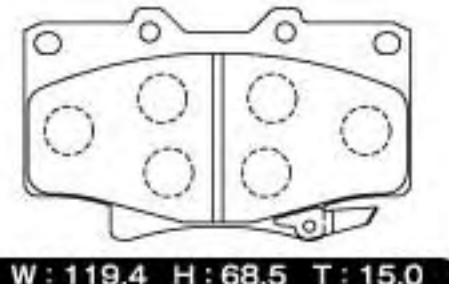
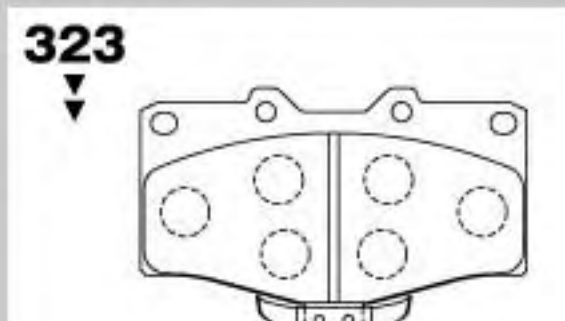
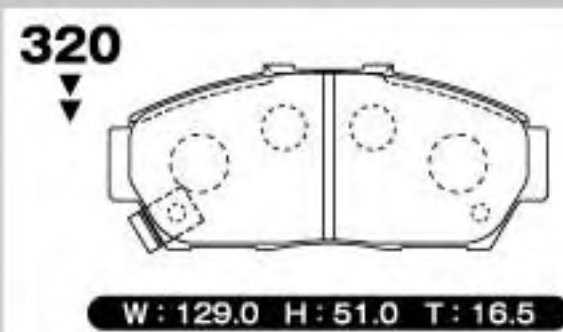
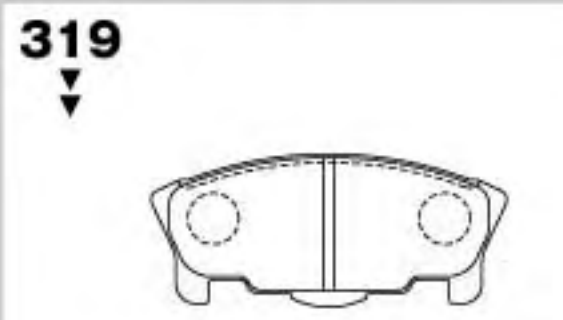
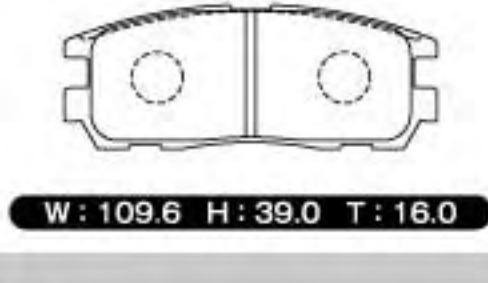
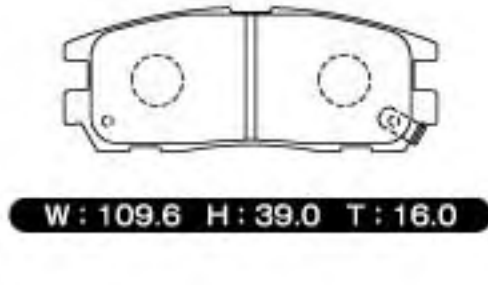
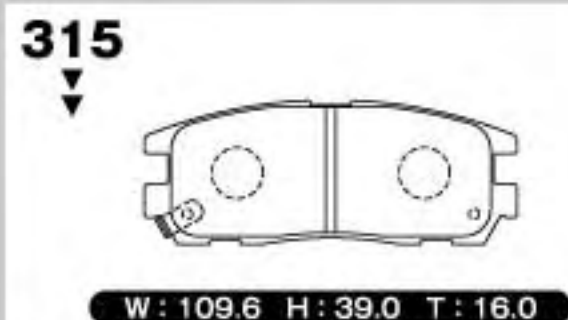
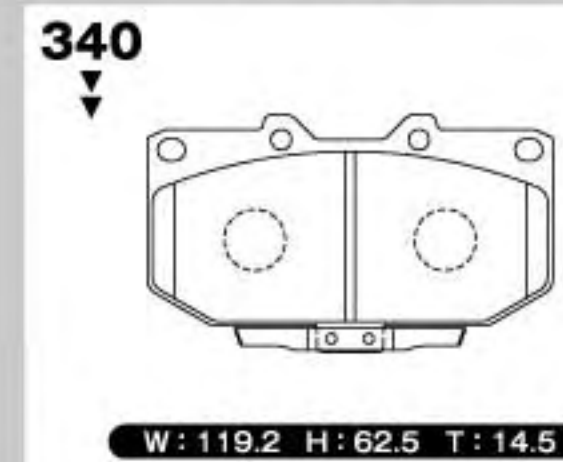
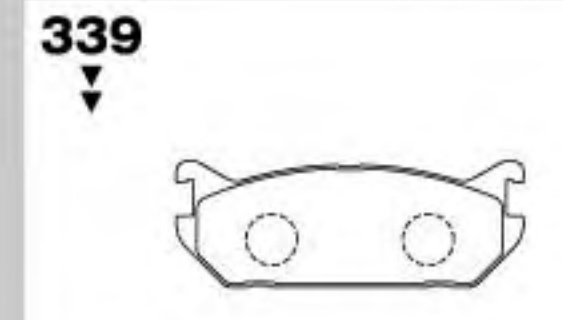
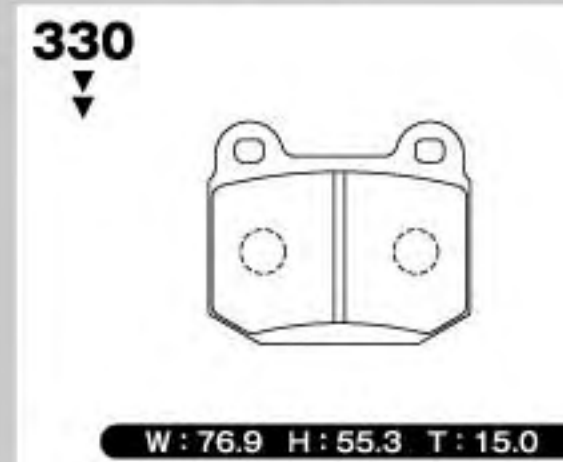
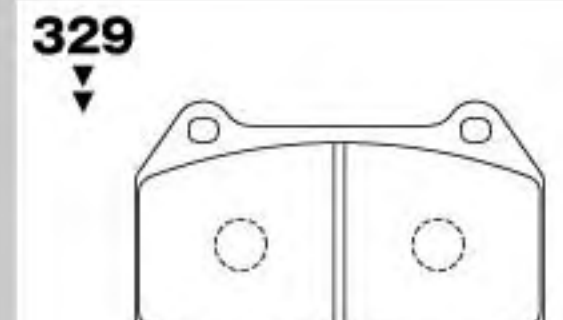
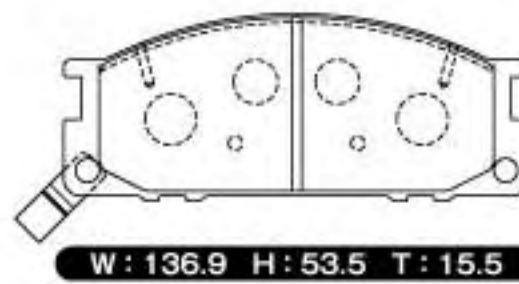
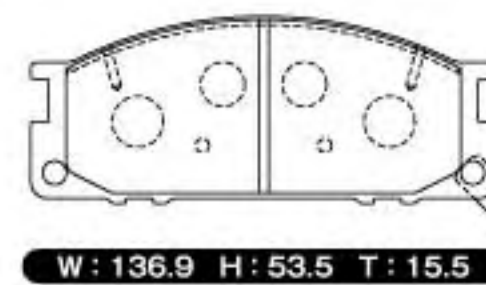
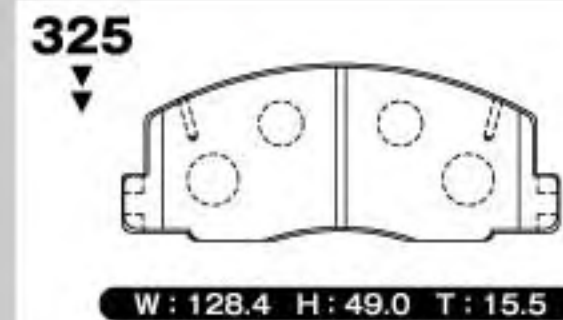
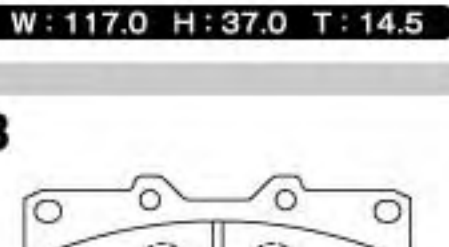
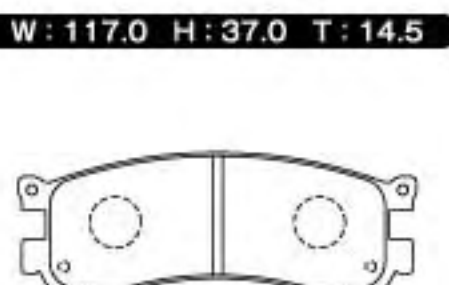
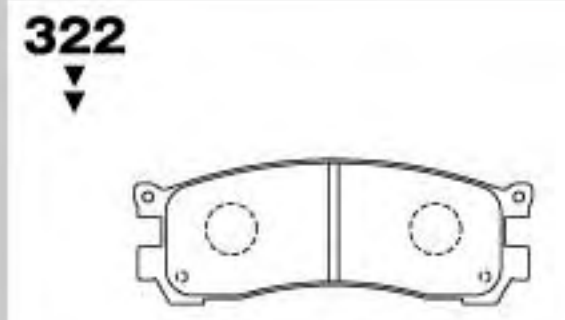
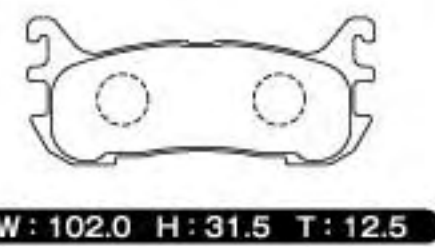
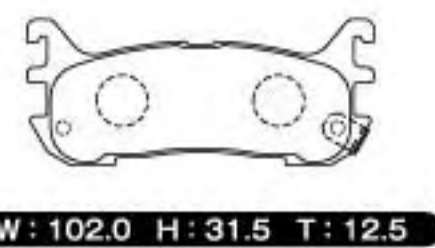
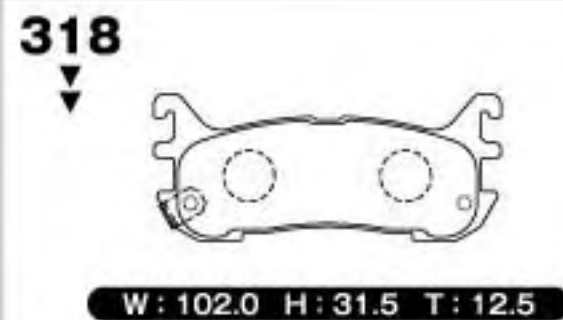
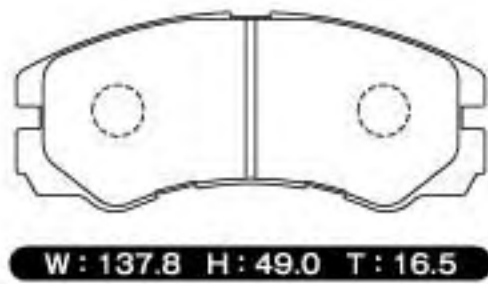
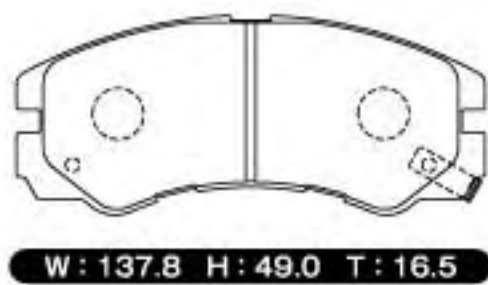
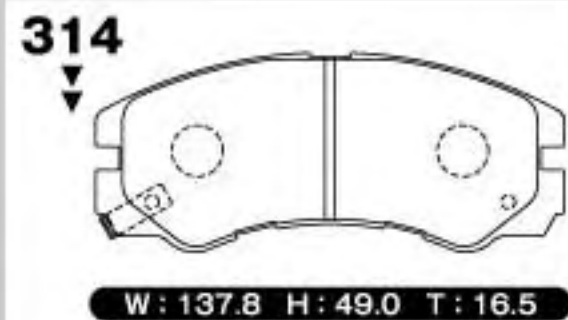
304
▼

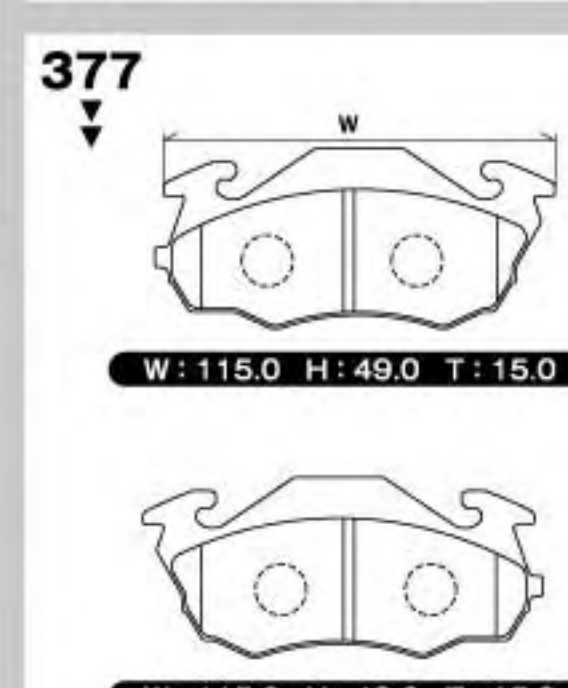
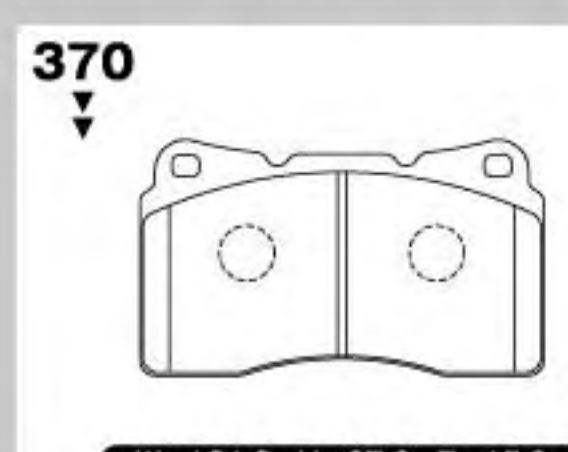
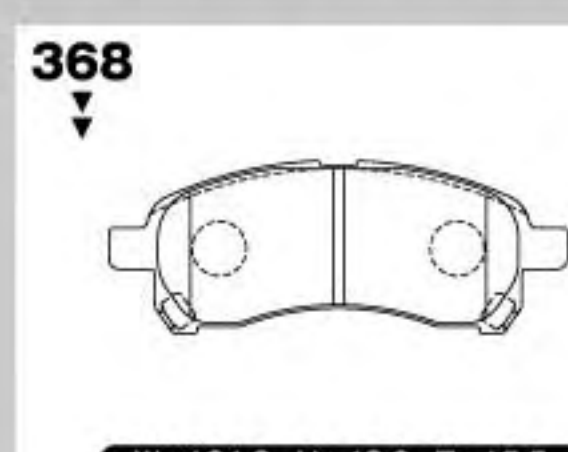
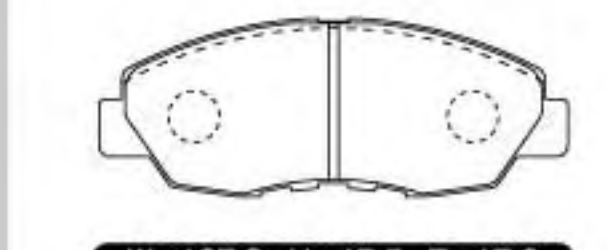
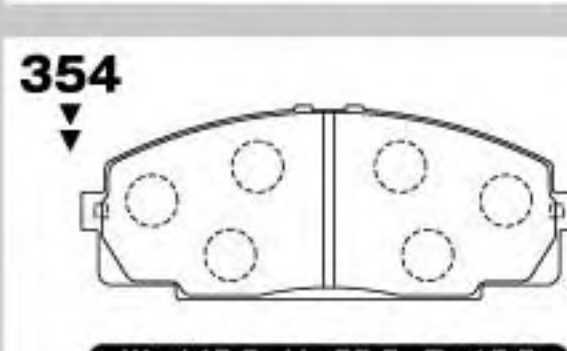
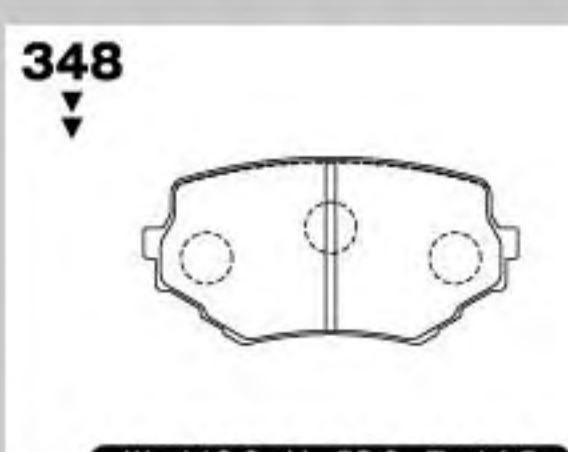
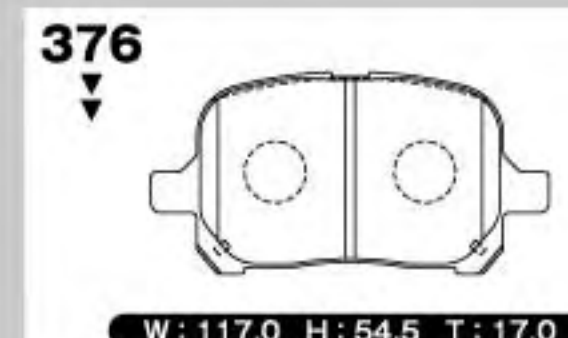
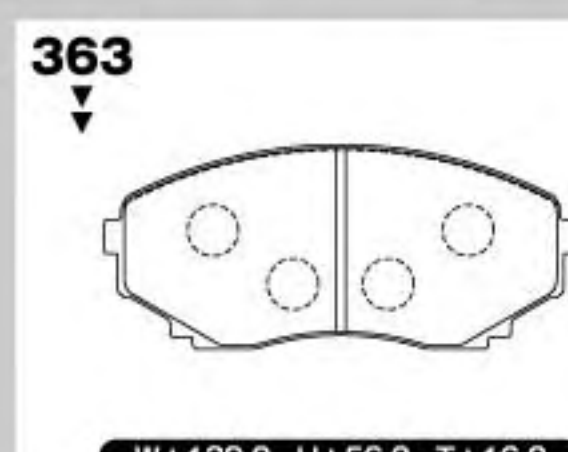
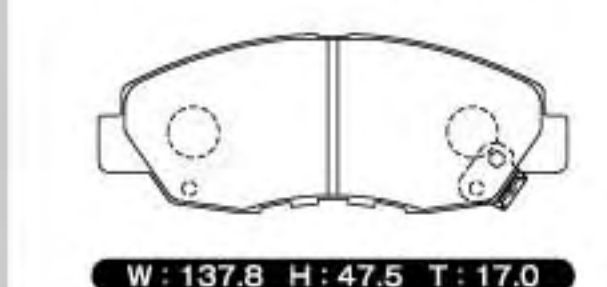
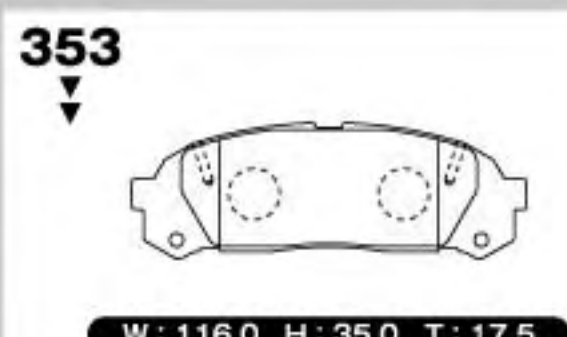
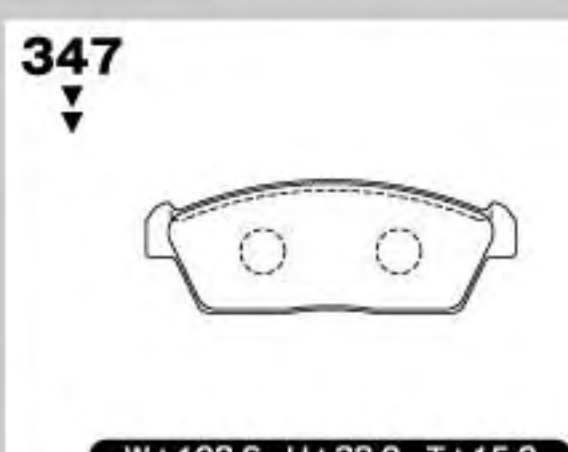
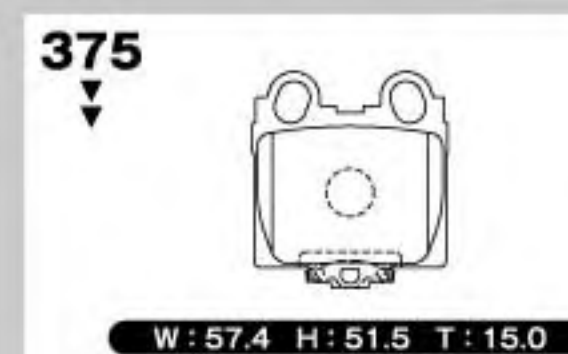
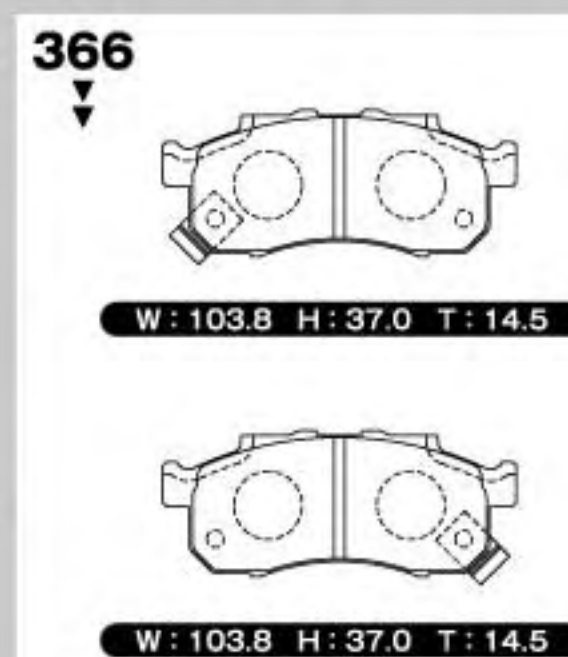
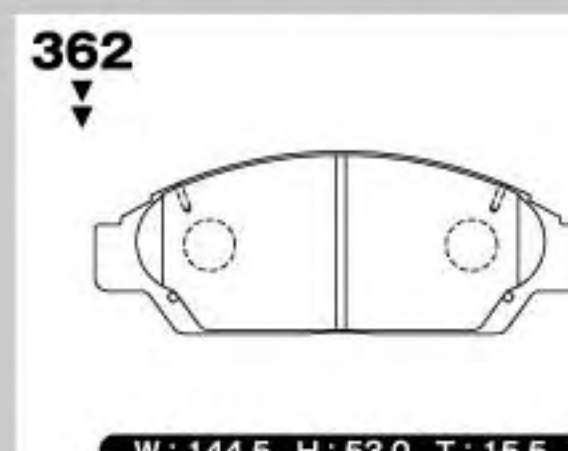
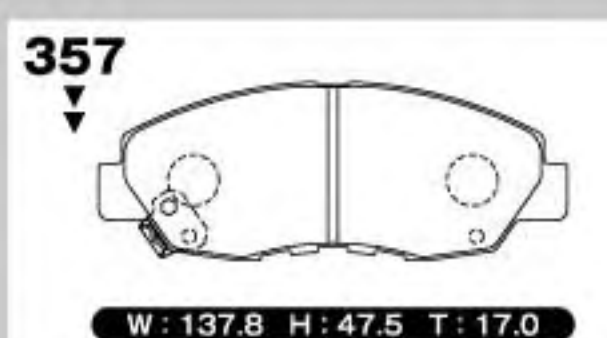
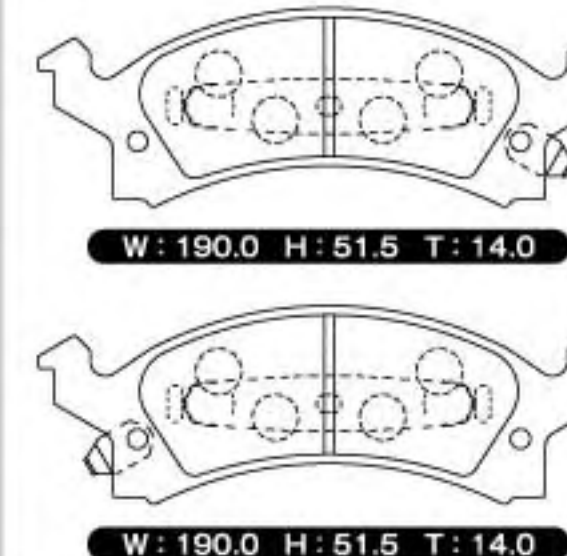
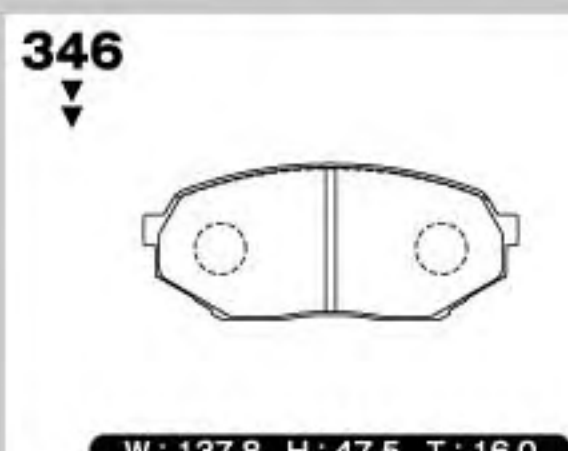
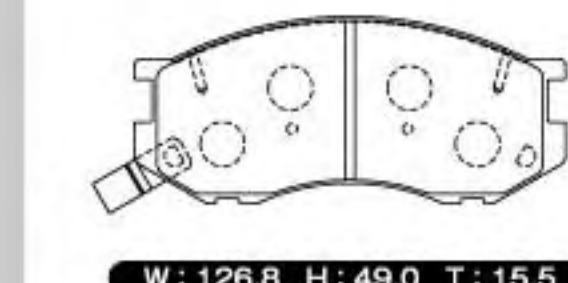
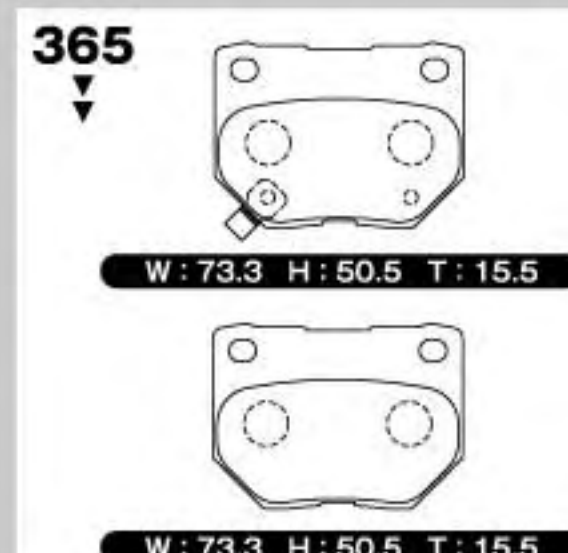
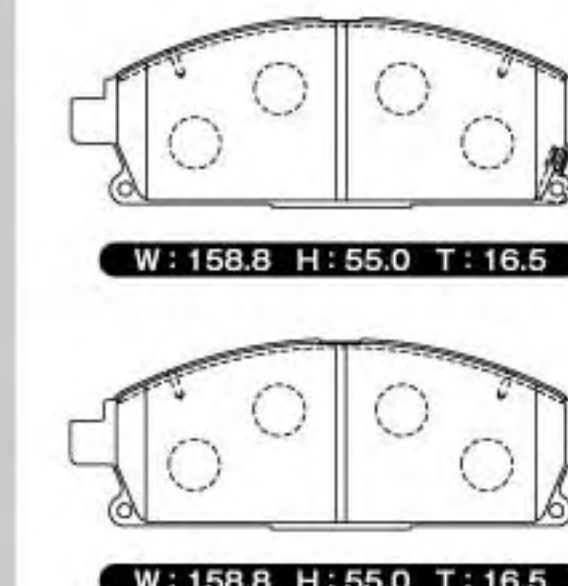
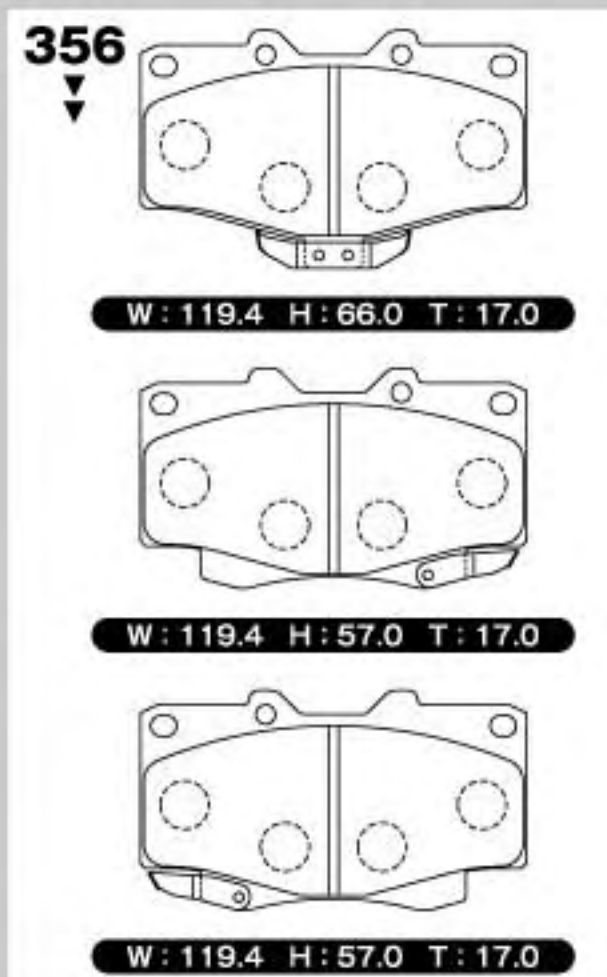
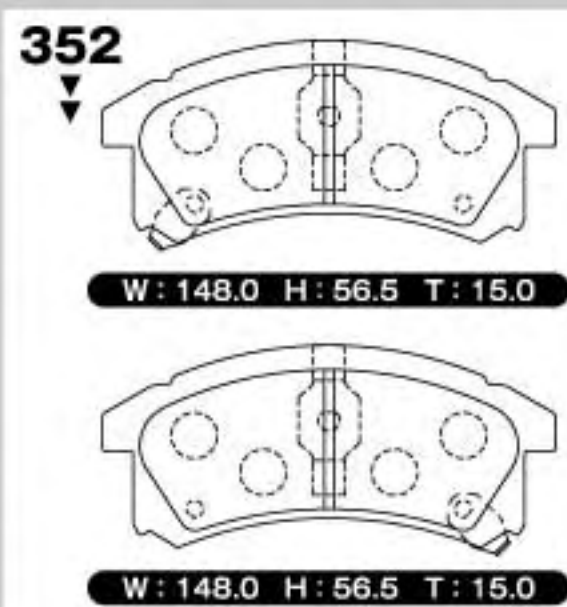
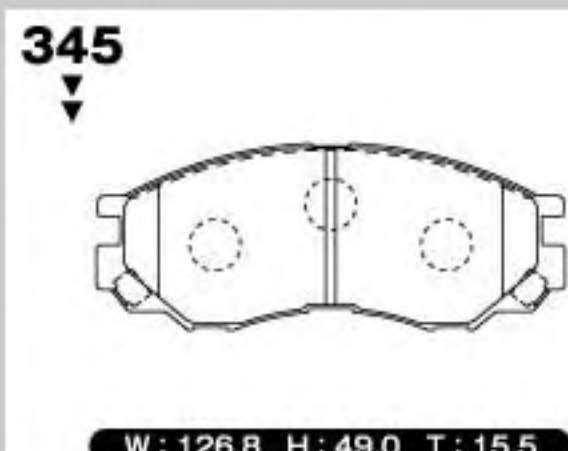
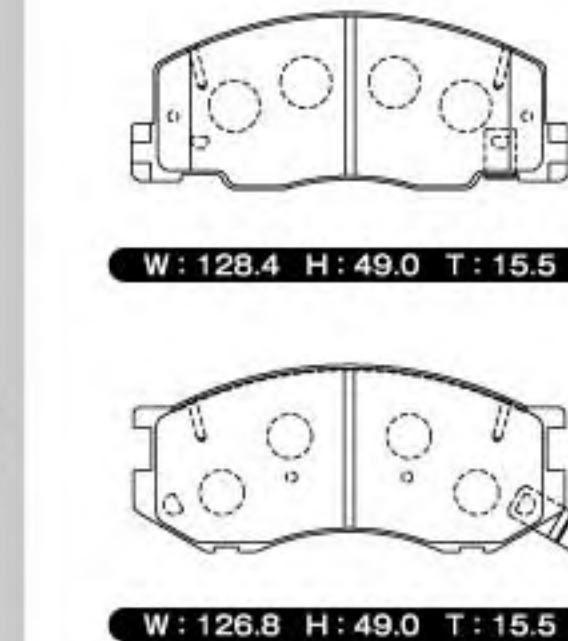
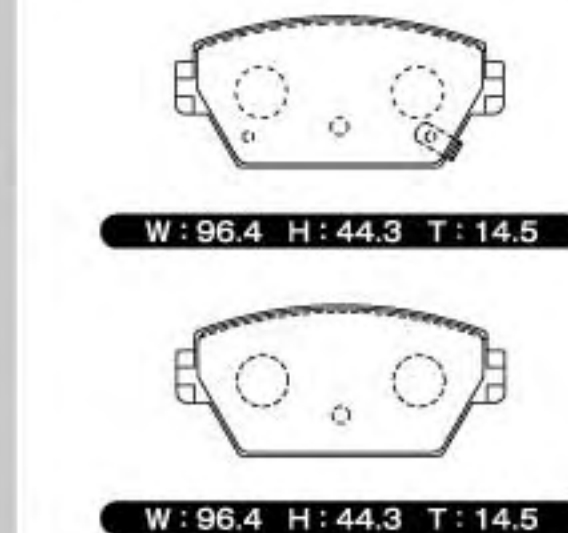
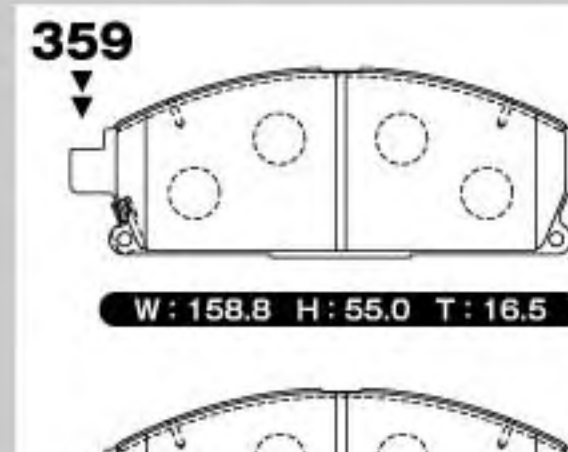
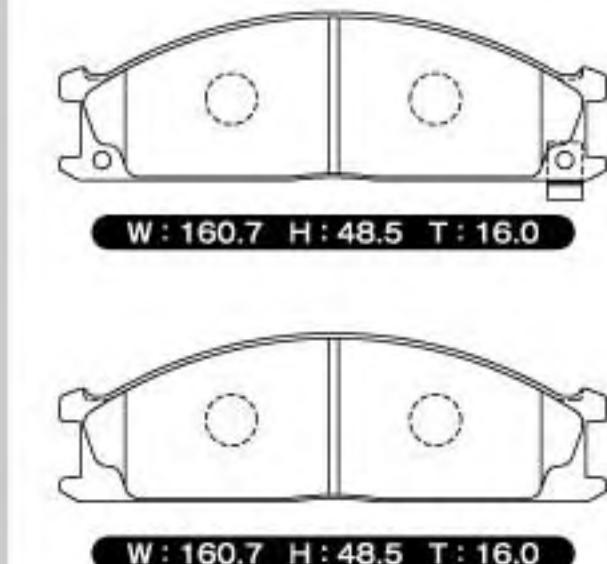
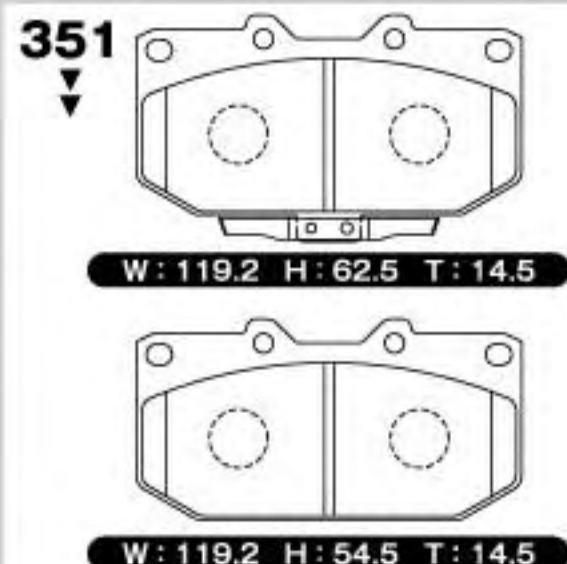
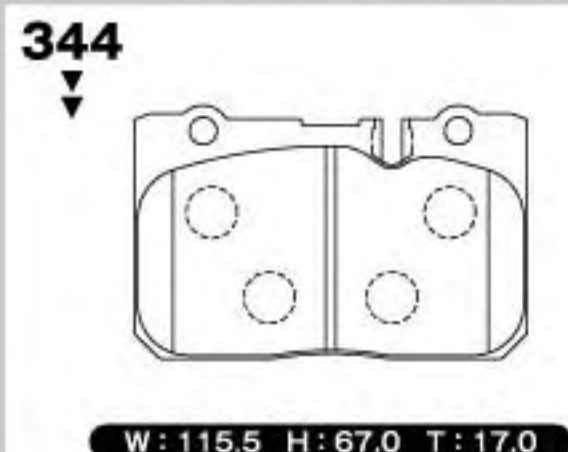
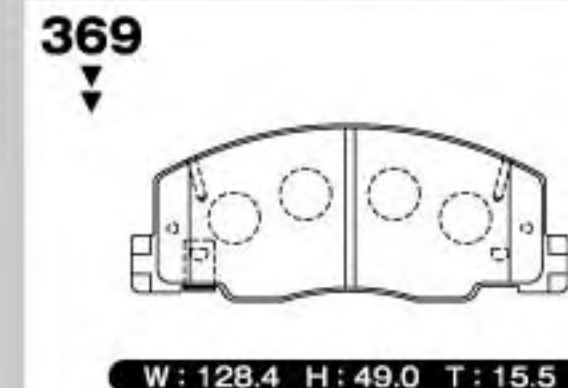
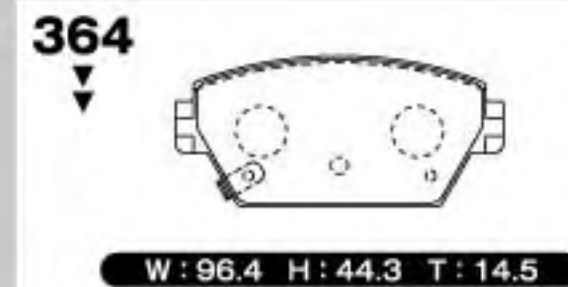
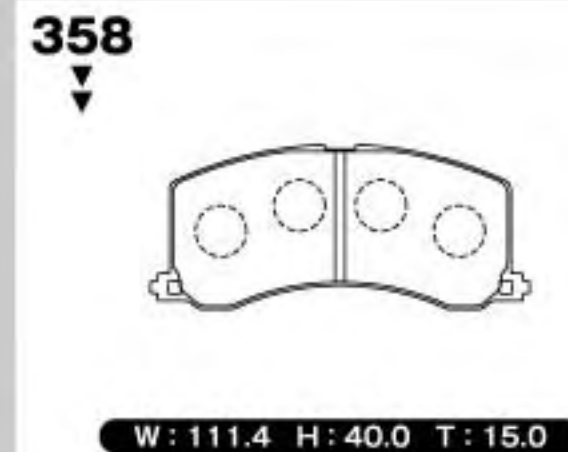
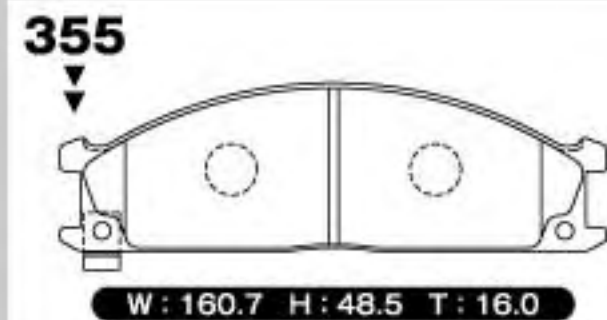
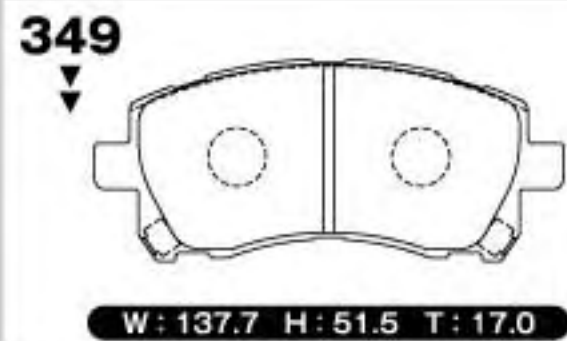
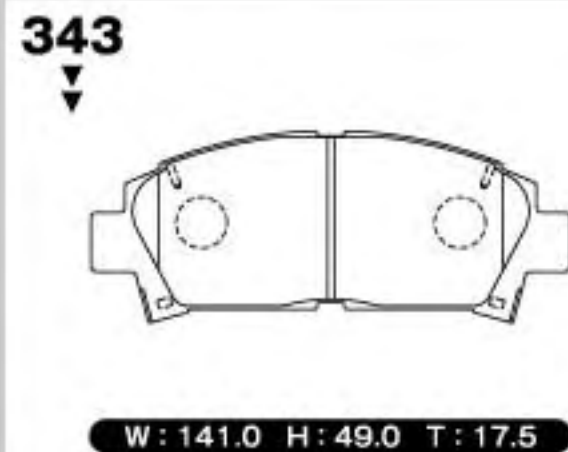
W: 114.0 H: 47.0 T: 15.0

313
▼

W: 80.8 H: 57.5 T: 16.5

W: 80.8 H: 57.5 T: 16.5





378
▼

W: 108.3 H: 37.2 T: 14.0

W: 108.3 H: 37.2 T: 14.0

W: 108.3 H: 37.2 T: 14.0

390
▼

W: 112.4 H: 37.0 T: 13.5

W: 99.0 H: 36.5 T: 13.5
391
▼

W: 115.5 H: 41.5 T: 15.5

W: 95.0 H: 41.5 T: 15.5

395
▼

W: 111.6 H: 46.2 T: 14.5

W: 111.6 H: 46.2 T: 14.5

W: 78.8 H: 49.5 T: 14.5

400
▼

W: 112.6 H: 41.5 T: 16.0

W: 112.6 H: 41.5 T: 16.0

W: 112.6 H: 41.5 T: 16.0

404
▼

W: 157.0 H: 52.0 T: 16.0

W: 157.0 H: 52.0 T: 16.0

412
▼

W: 131.5 H: 38.0 T: 13.5

W: 131.5 H: 38.0 T: 13.5

W: 131.5 H: 38.0 T: 13.5

387
▼

W: 108.6 H: 38.0 T: 15.0

393
▼

W: 125.8 H: 45.5 T: 15.5

W: 125.8 H: 45.5 T: 15.5

397
▼

W: 156.8 H: 48.5 T: 15.5

401
▼

W: 128.4 H: 49.0 T: 15.5

W: 128.4 H: 49.0 T: 15.5

W: 136.9 H: 46.0 T: 15.5

409
▼

W: 140.0 H: 54.0 T: 15.5

413
▼

W: 166.0 H: 58.0 T: 19.0

W: 166.0 H: 58.0 T: 19.0

388
▼

W: 122.2 H: 34.0 T: 15.0

W: 92.0 H: 34.0 T: 15.0

398
▼

W: 106.3 H: 42.0 T: 15.0

399
▼

W: 108.6 H: 44.5 T: 15.5

402
▼

W: 119.4 H: 63.0 T: 17.5

W: 119.4 H: 63.0 T: 17.5

410
▼

W: 135.0 H: 50.5 T: 15.5

W: 135.0 H: 50.5 T: 15.5

414
▼

W: 135.0 H: 43.0 T: 15.5

389
▼

W: 78.8 H: 58.5 T: 14.5

W: 78.8 H: 58.5 T: 14.5

394
▼

W: 114.0 H: 47.0 T: 15.0
396
▼

W: 123.0 H: 42.5 T: 15.5

399
▼

W: 108.6 H: 44.5 T: 15.5

W: 108.6 H: 44.5 T: 15.5

403
▼

W: 123.0 H: 39.5 T: 17.0

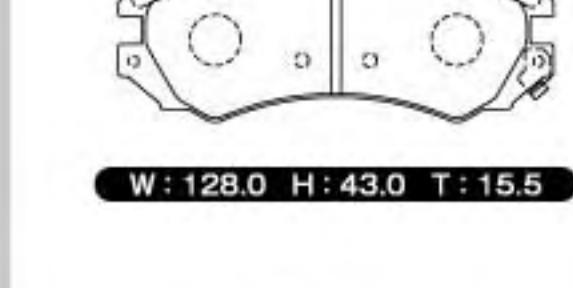
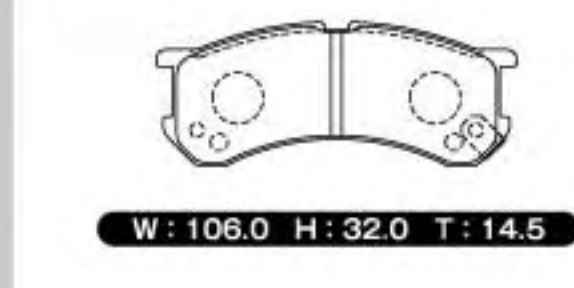
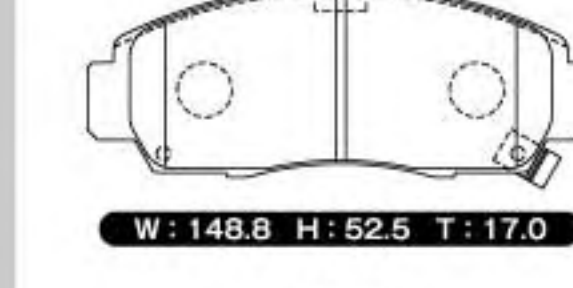
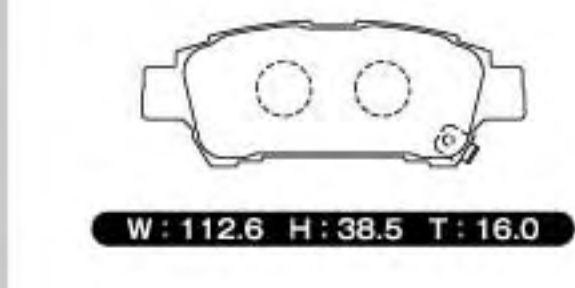
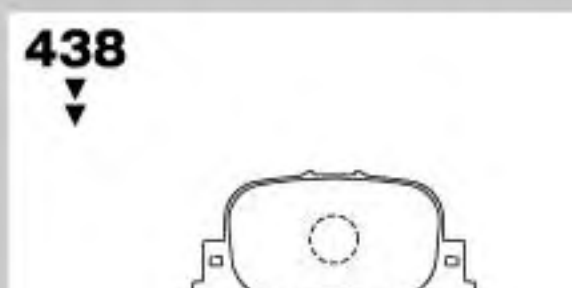
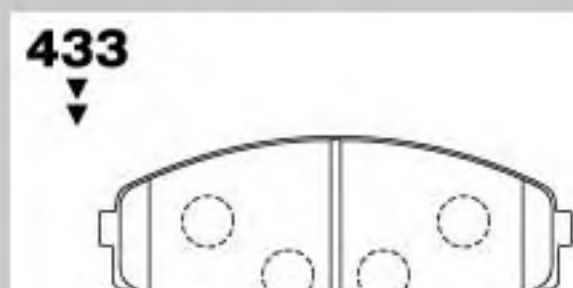
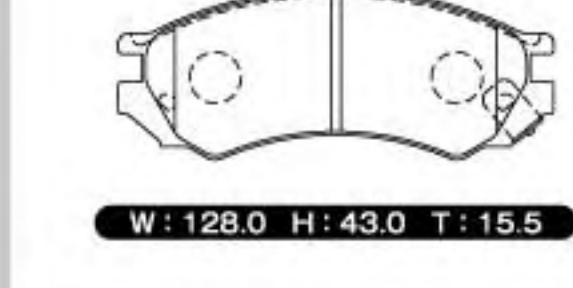
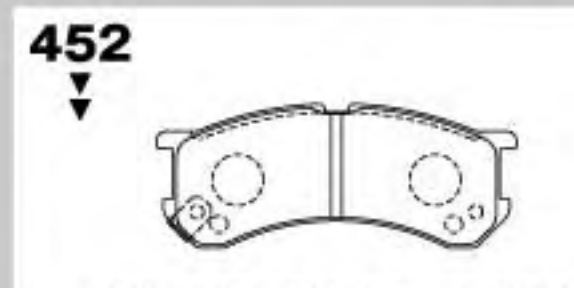
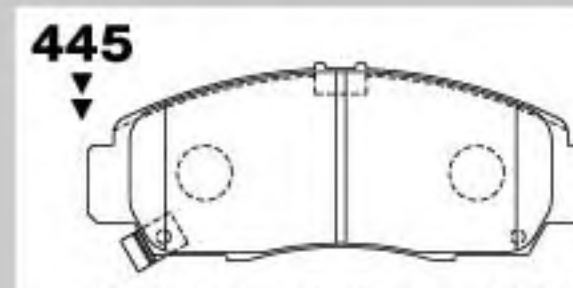
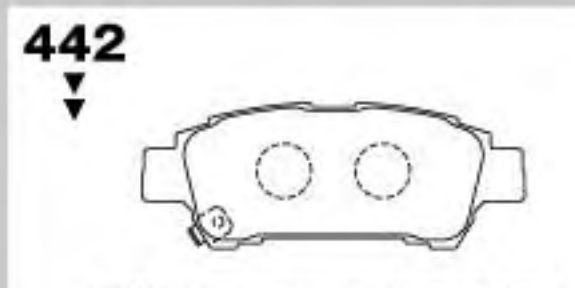
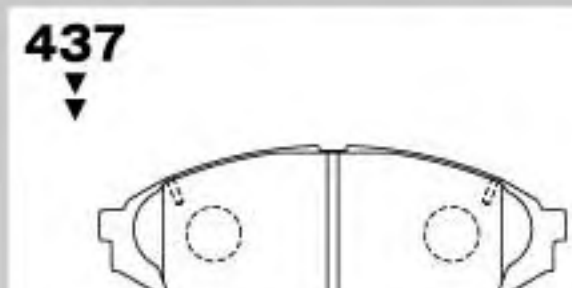
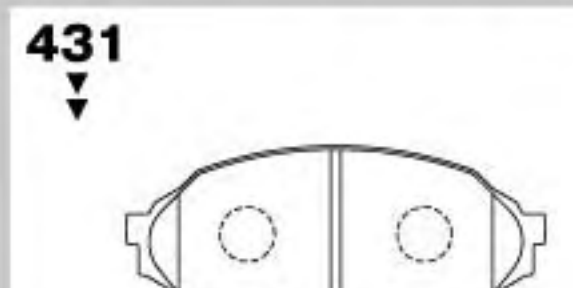
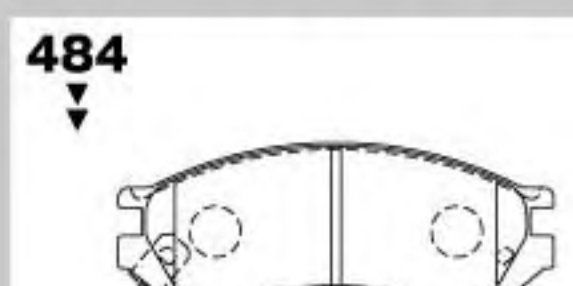
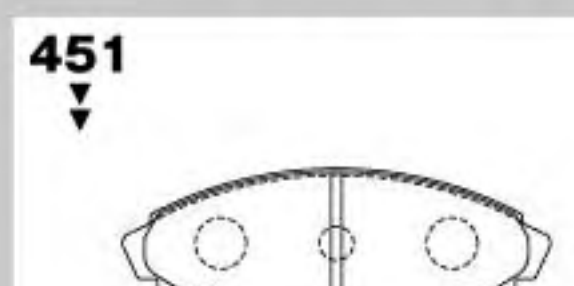
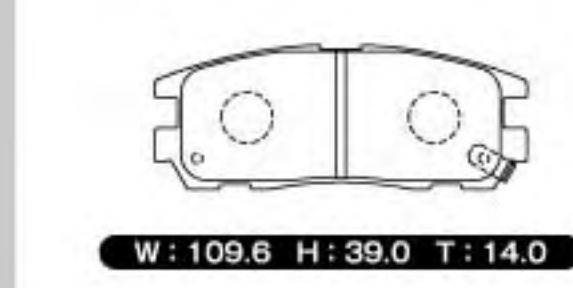
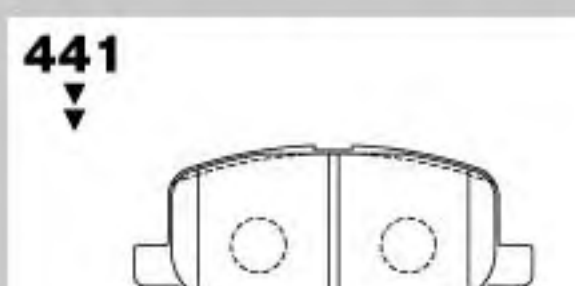
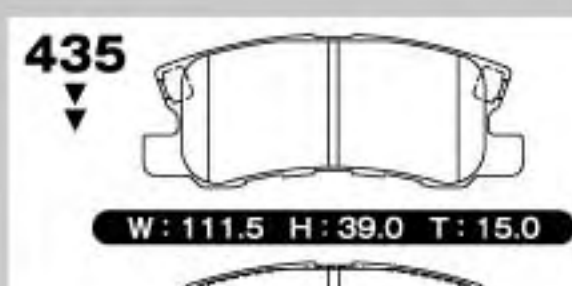
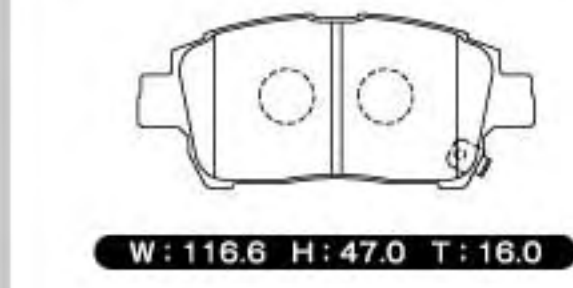
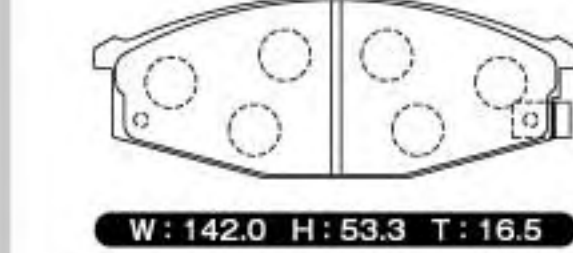
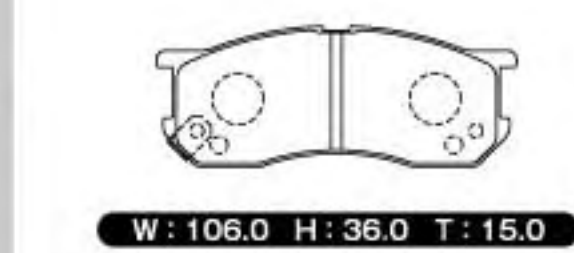
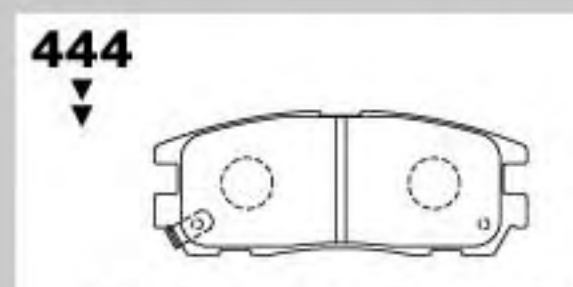
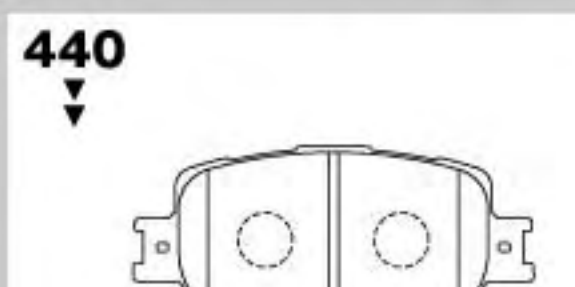
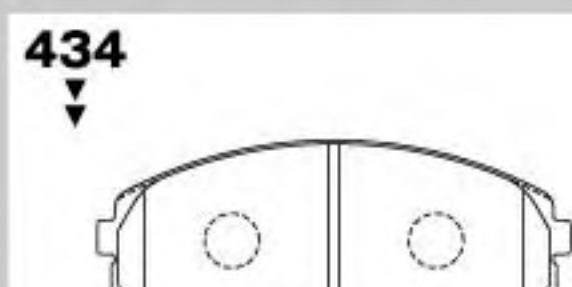
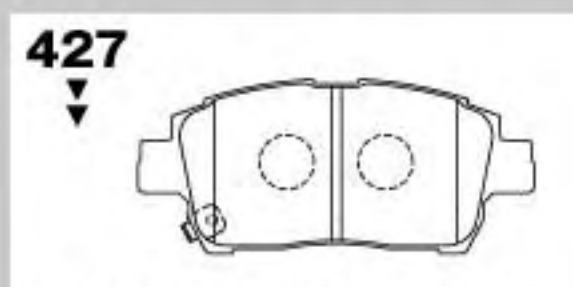
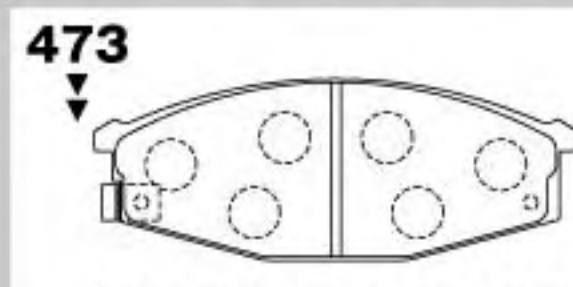
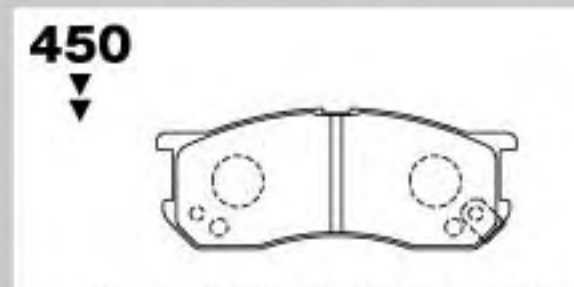
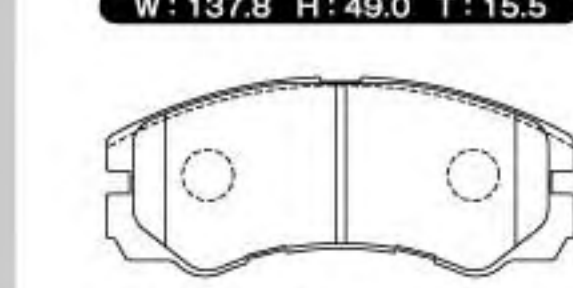
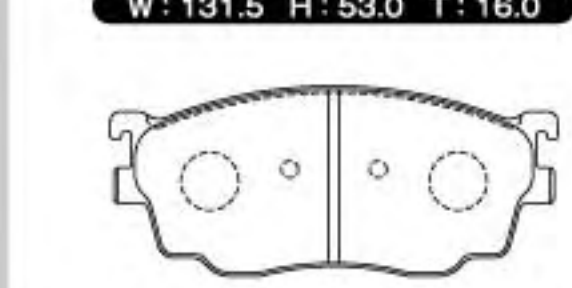
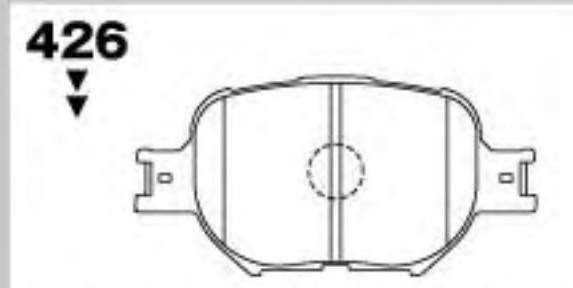
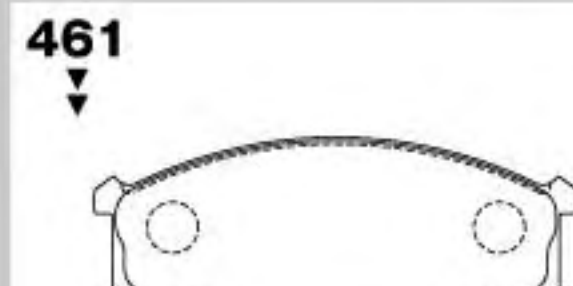
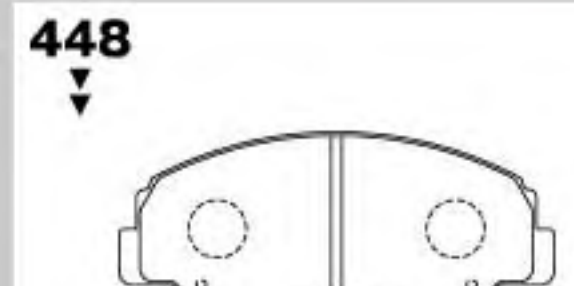
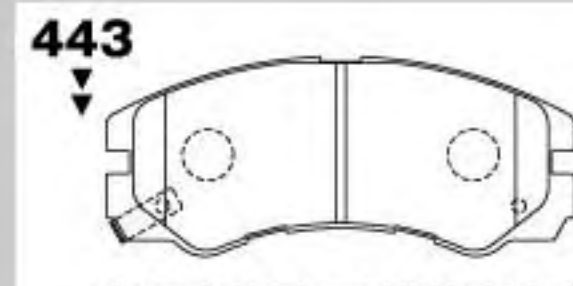
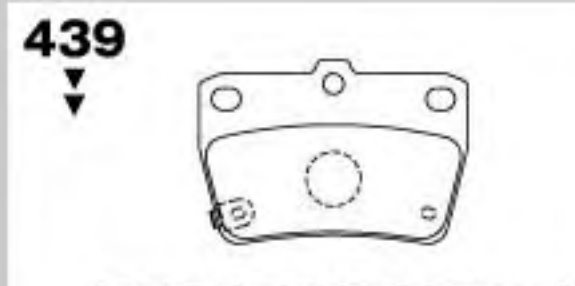
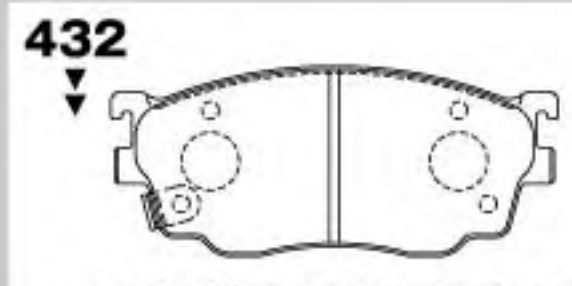
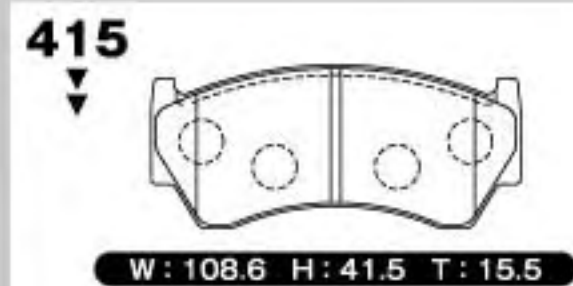
411
▼

W: 127.1 H: 51.0 T: 16.0

W: 127.1 H: 51.0 T: 16.0

414
▼

W: 135.0 H: 43.0 T: 15.5



486

 W: 108.6 H: 44.5 T: 16.5

W: 108.6 H: 44.5 T: 16.5

W: 108.6 H: 44.5 T: 16.5

491

 W: 110.4 H: 36.1 T: 15.5

499

 W: 127.7 H: 49.0 T: 14.0

504

 W: 144.5 H: 54.0 T: 15.5

512

 W: 119.4 H: 57.0 T: 15.0

531

 W: 88.7 H: 33.0 T: 13.0

 W: 88.7 H: 33.0 T: 13.0

538

 W: 100.0 H: 43.5 T: 15.0

 W: 88.0 H: 42.0 T: 15.7

555

 W: 131.1 H: 34.5 T: 14.5

 W: 131.1 H: 34.5 T: 14.5

W: 131.1 H: 34.5 T: 14.5

 W: 131.1 H: 34.5 T: 14.5

558

 W: 106.3 H: 38.5 T: 14.5

562

 W: 123.0 H: 54.0 T: 15.0

563

 W: 100.5 H: 38.0 T: 13.0

565

 W: 123.0 H: 57.0 T: 17.0

W: 123.0 H: 57.0 T: 17.0

487

 W: 142.0 H: 53.3 T: 16.5

W: 142.0 H: 53.3 T: 16.5

W: 142.0 H: 53.3 T: 16.5

502

 W: 128.4 H: 55.0 T: 15.5

W: 127.0 H: 55.0 T: 15.5

W: 127.0 H: 55.0 T: 15.5

513

 W: 107.3 H: 50.5 T: 15.0

521

 W: 139.0 H: 47.0 T: 16.0

547

 W: 98.7 H: 43.5 T: 15.0

 W: 88.0 H: 42.0 T: 15.7

548

 W: 78.8 H: 55.2 T: 15.0

 W: 78.8 H: 55.2 T: 15.0

556

 W: 131.1 H: 34.5 T: 14.5

 W: 131.1 H: 34.5 T: 14.5

557

 W: 102.0 H: 40.0 T: 15.0

 W: 88.0 H: 40.0 T: 15.0

496

 W: 108.6 H: 41.5 T: 15.5

W: 108.6 H: 41.5 T: 15.5

W: 108.6 H: 41.5 T: 15.5

503

 W: 128.4 H: 49.0 T: 15.5

W: 136.9 H: 53.5 T: 15.5

W: 136.9 H: 53.5 T: 15.5

522

 W: 130.0 H: 46.5 T: 16.0

W: 130.0 H: 46.5 T: 16.0

W: 130.0 H: 46.5 T: 16.0

W: 78.8 H: 55.2 T: 15.0

 W: 78.8 H: 55.2 T: 15.0

552

 W: 103.5 H: 32.5 T: 14.5

 W: 103.5 H: 32.5 T: 14.5

559

 W: 108.6 H: 41.5 T: 14.5

W: 108.6 H: 41.5 T: 14.5

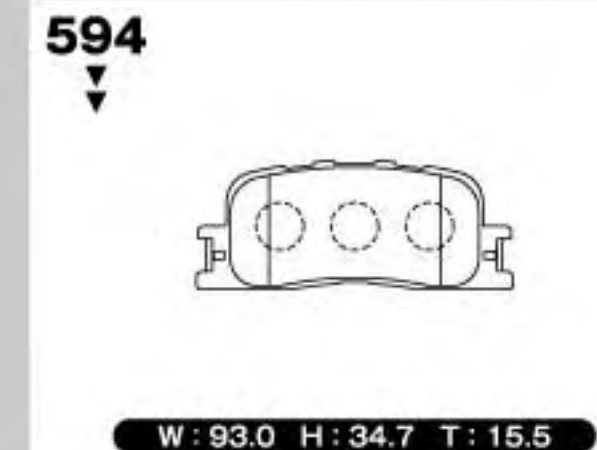
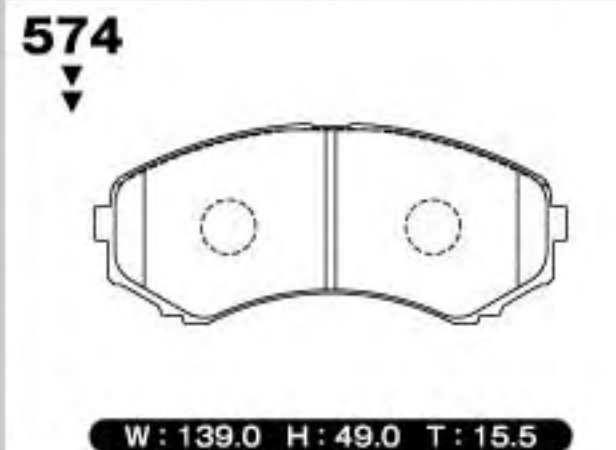
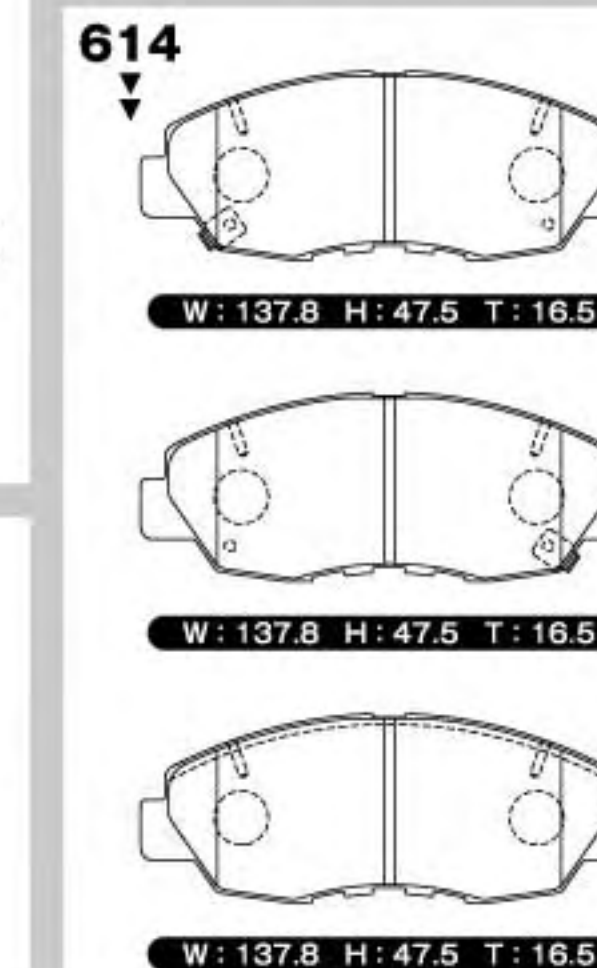
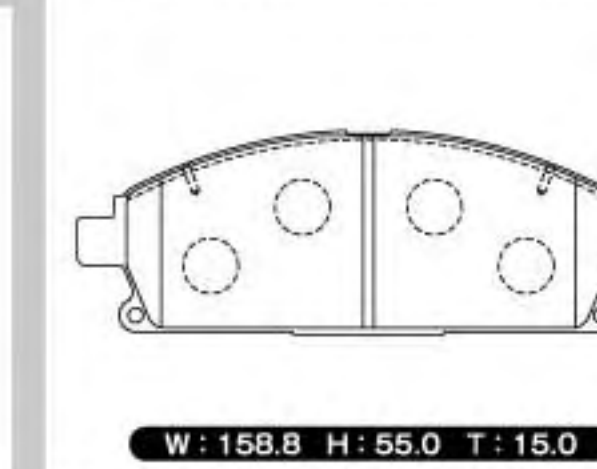
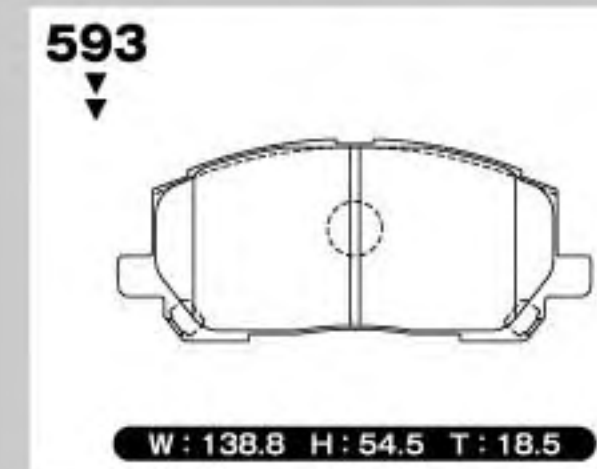
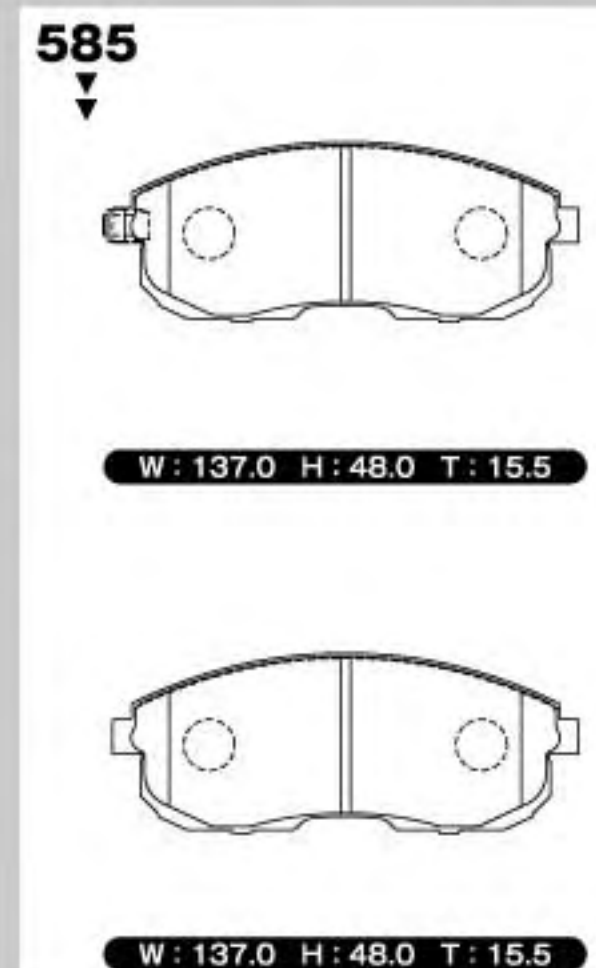
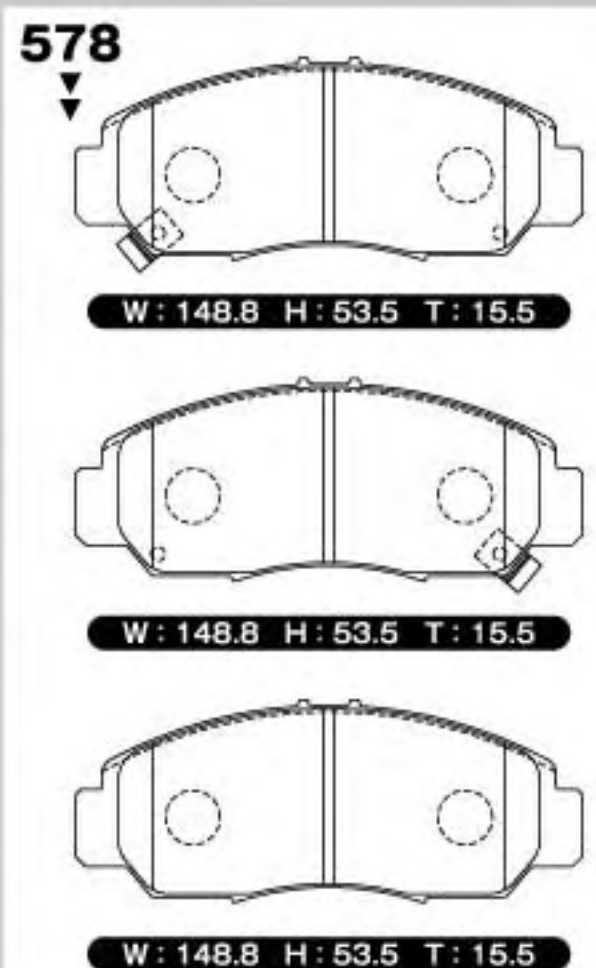
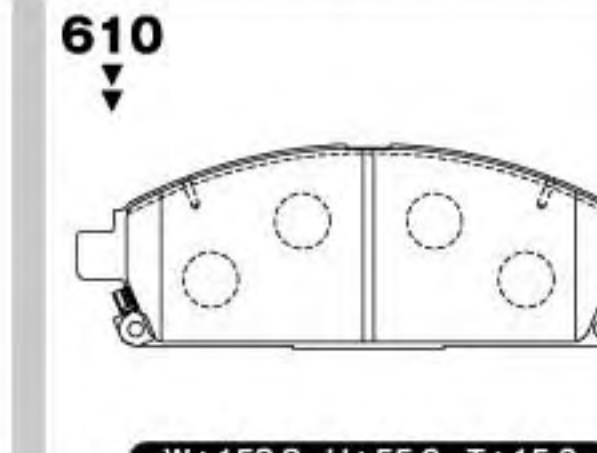
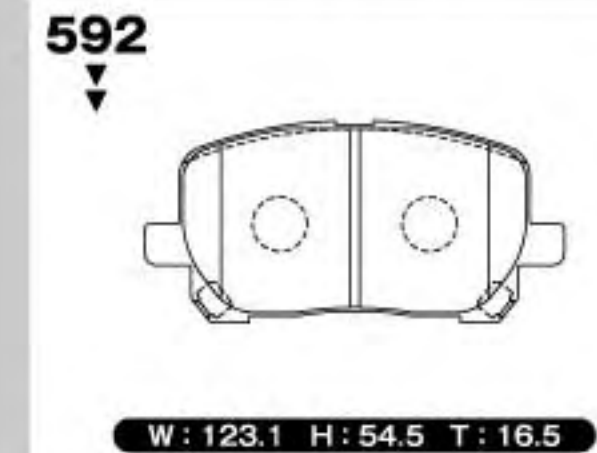
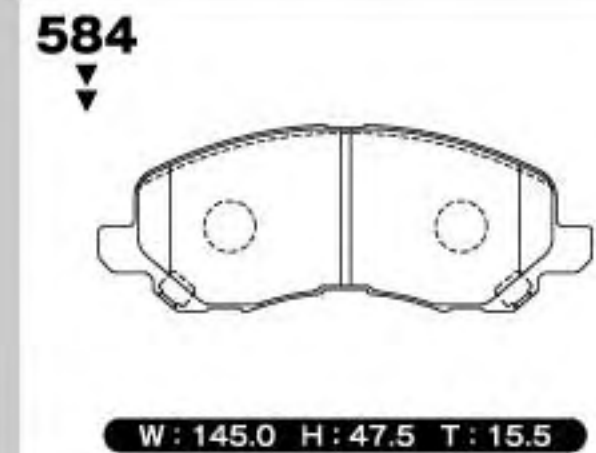
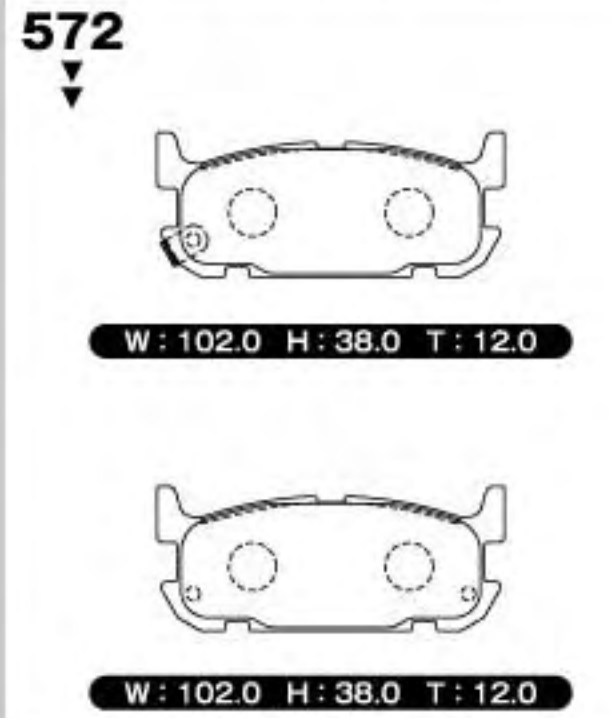
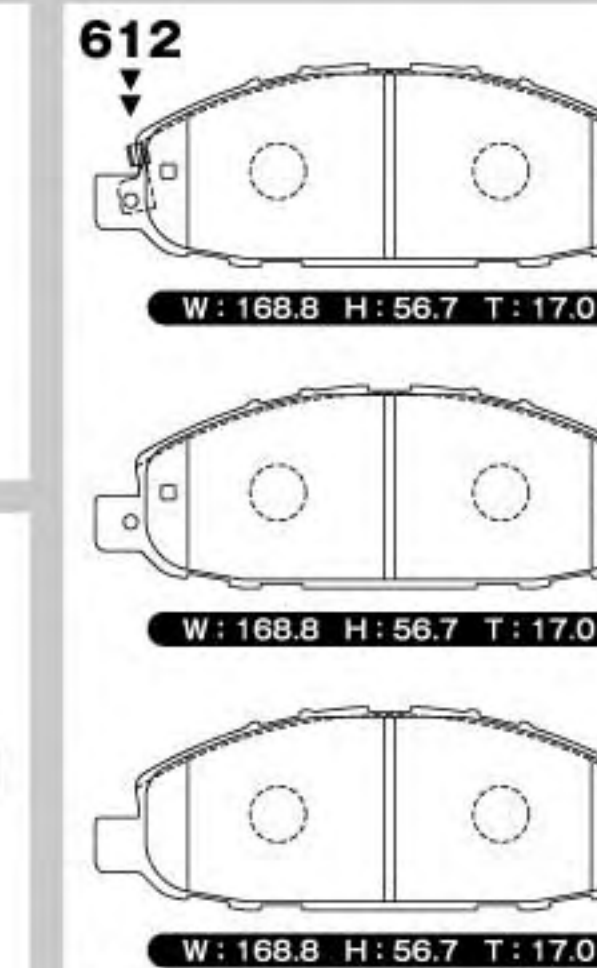
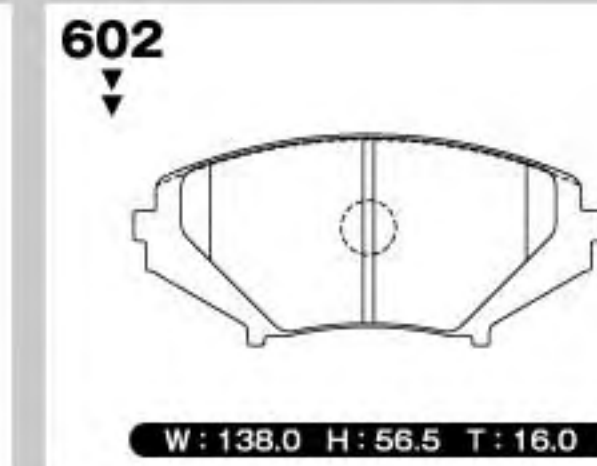
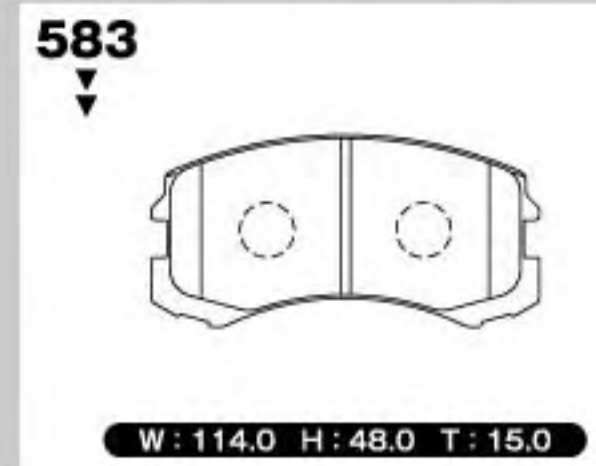
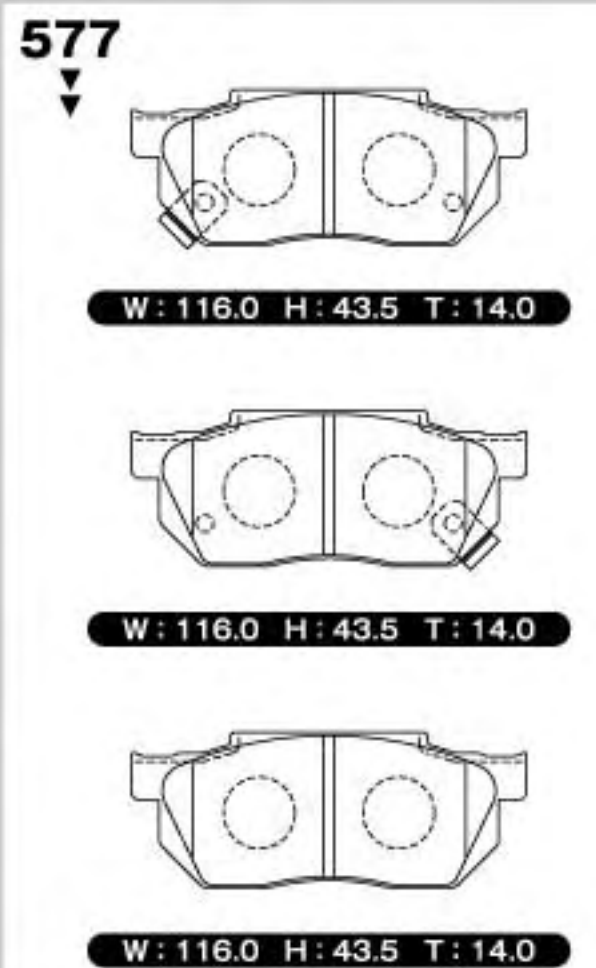
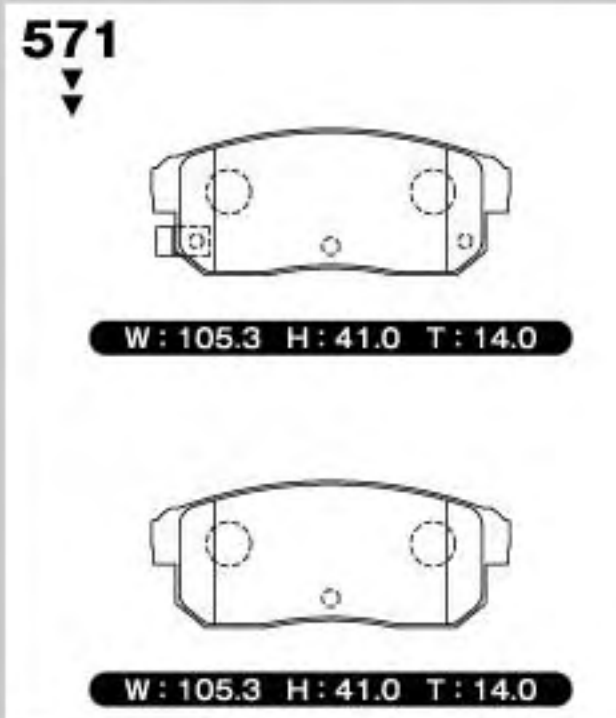
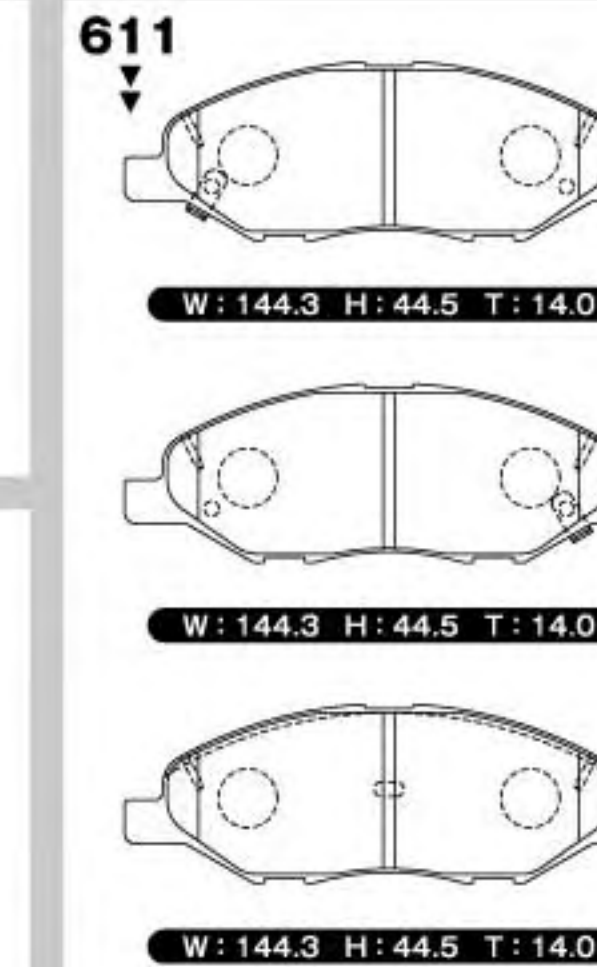
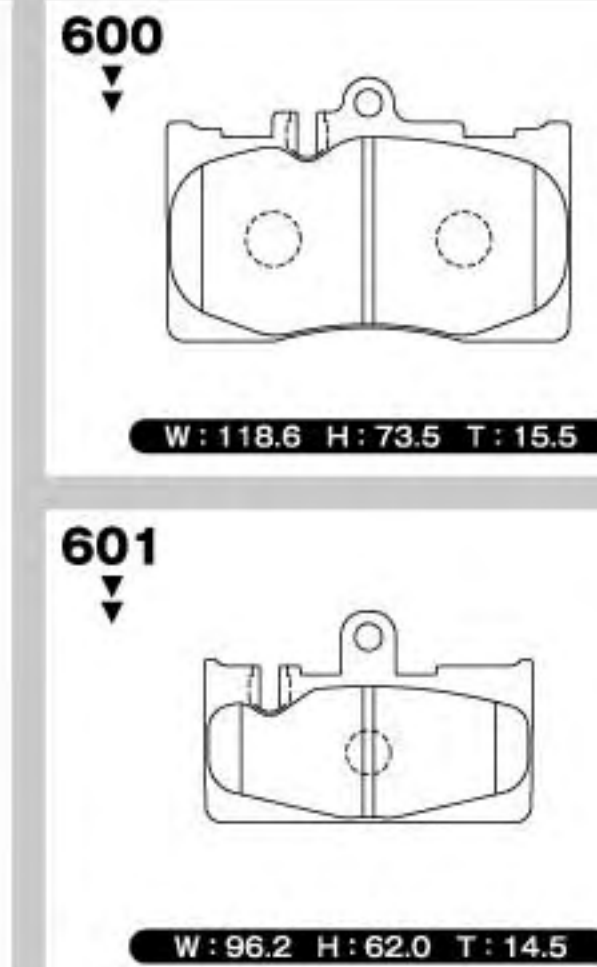
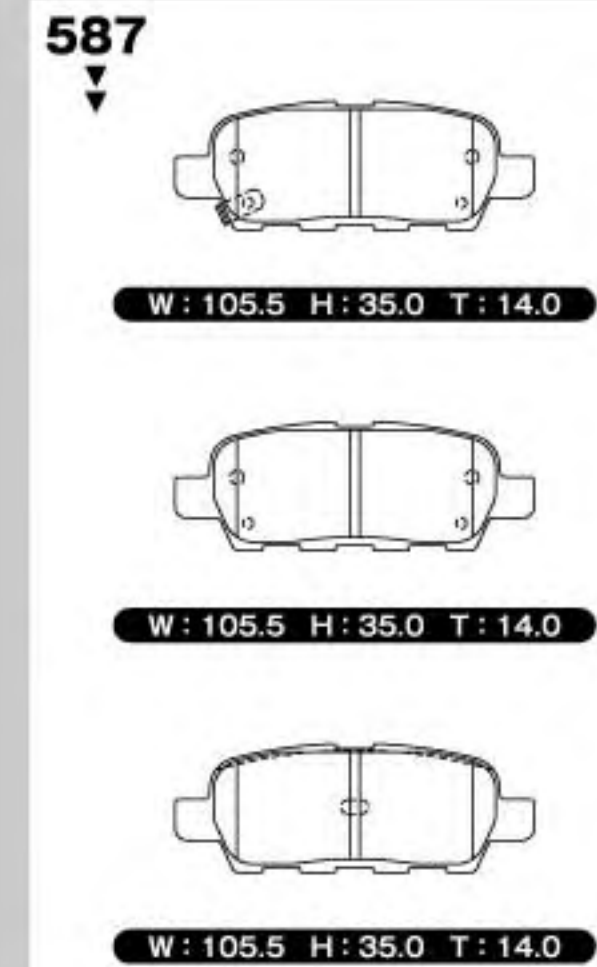
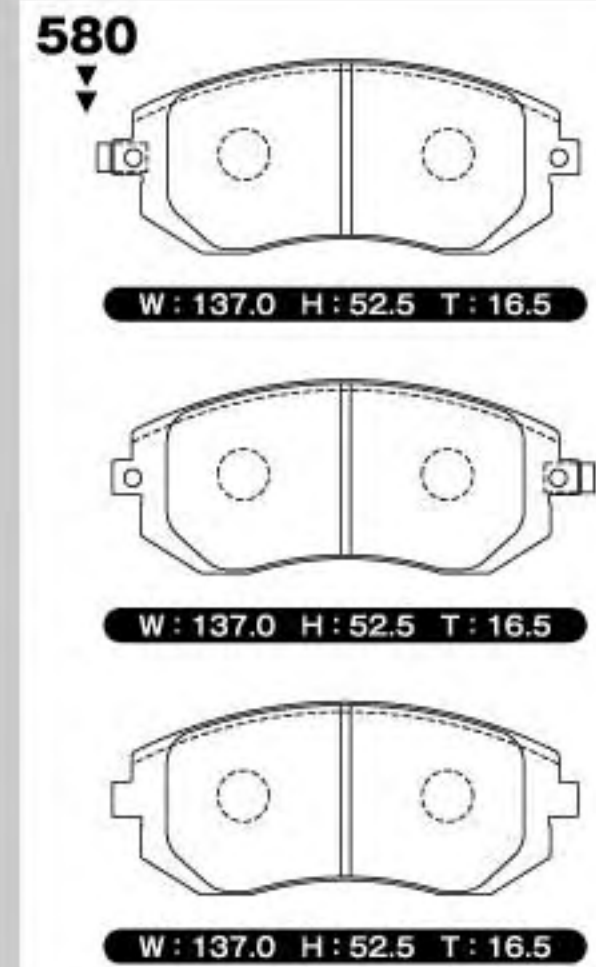
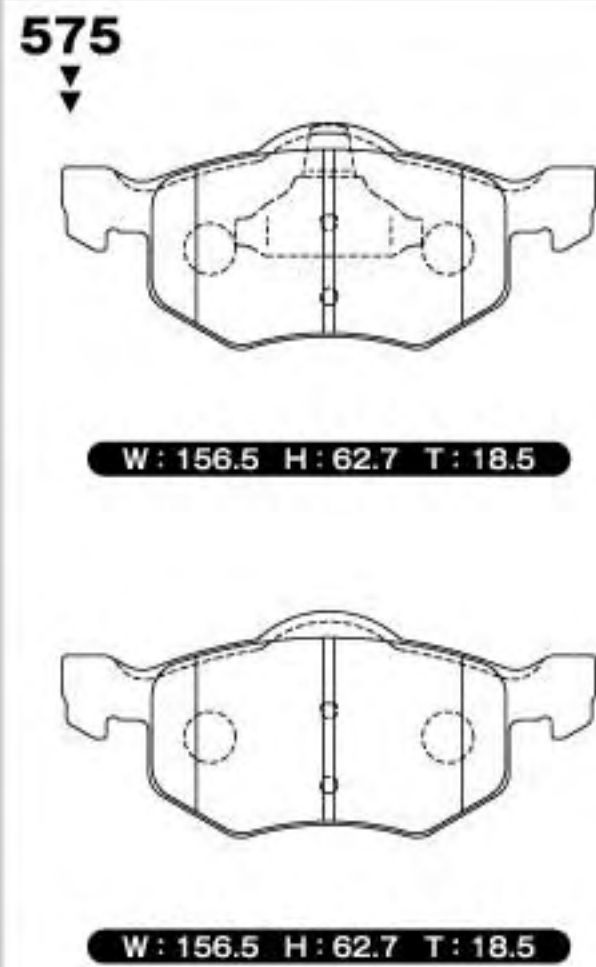
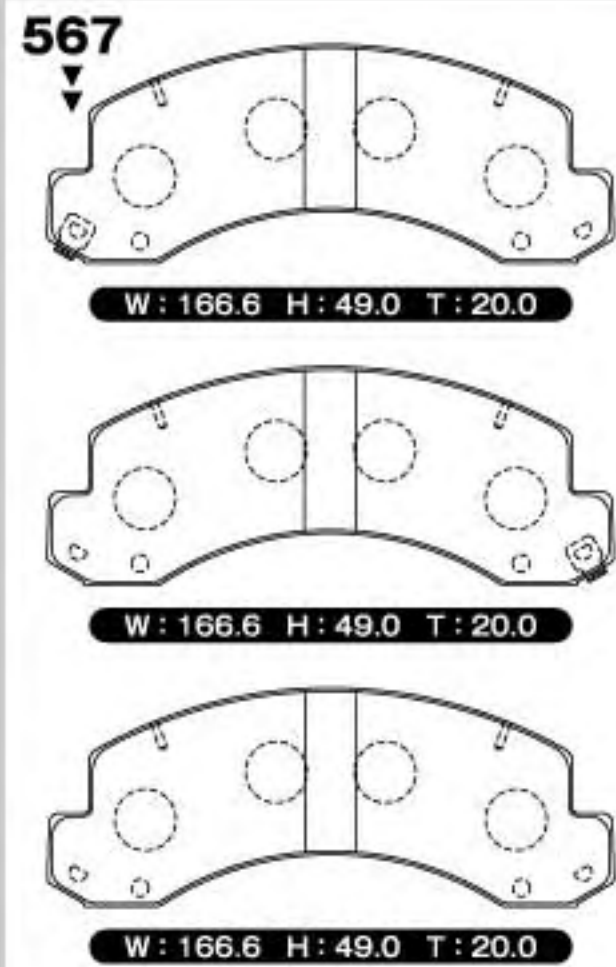
W: 108.6 H: 41.5 T: 14.5

566

 W: 78.8 H: 51.5 T: 13.5

W: 78.8 H: 51.5 T: 13.5

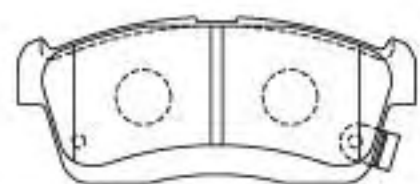
W: 78.8 H: 51.5 T: 13.5



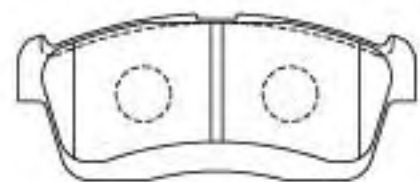
618



W: 108.6 H: 41.5 T: 14.0

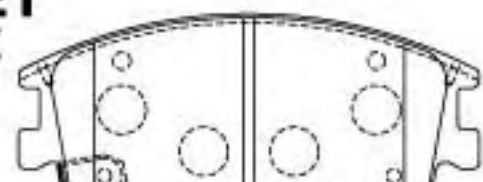


W: 108.6 H: 41.5 T: 14.0

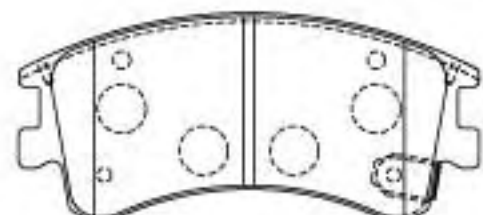


W: 108.6 H: 41.5 T: 14.0

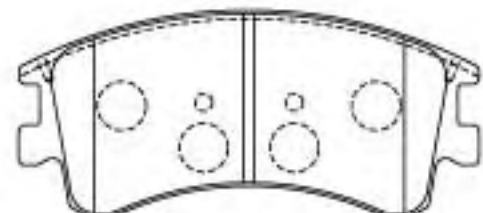
621



W: 132.2 H: 50.5 T: 17.0

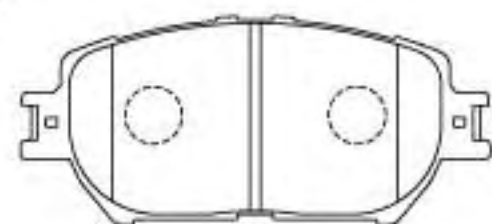


W: 132.2 H: 50.5 T: 17.0



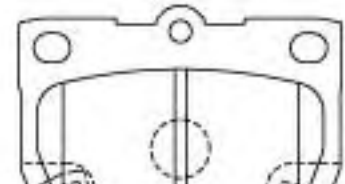
W: 132.2 H: 50.5 T: 17.0

624

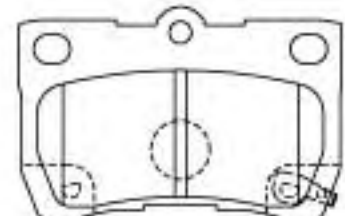


W: 131.7 H: 54.5 T: 17.0

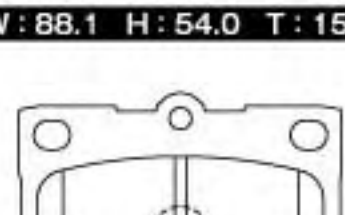
625



W: 88.1 H: 54.0 T: 15.0

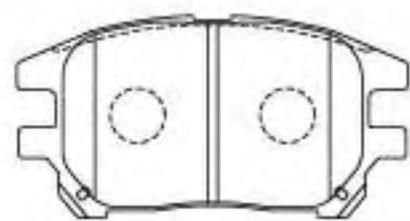


W: 88.1 H: 54.0 T: 15.0



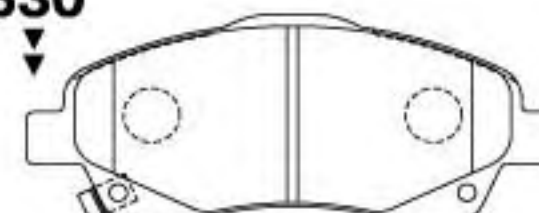
W: 88.1 H: 54.0 T: 15.0

628

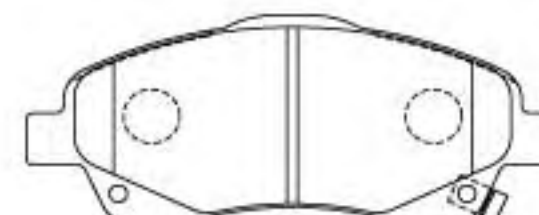


W: 114.7 H: 54.5 T: 16.5

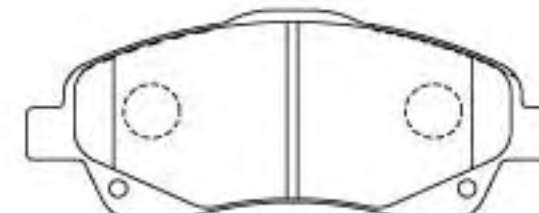
630



W: 151.0 H: 57.0 T: 17.5

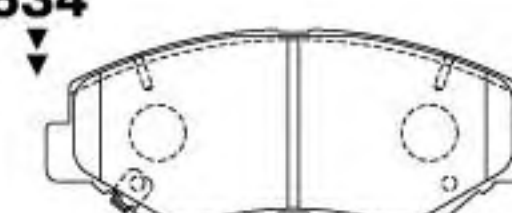


W: 151.0 H: 57.0 T: 17.5

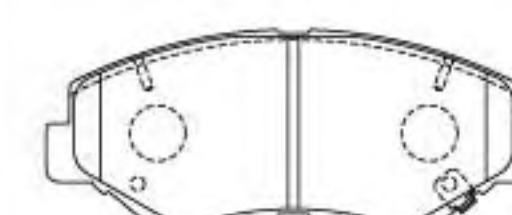


W: 151.0 H: 57.0 T: 17.5

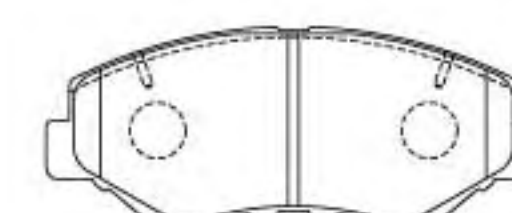
634



W: 141.8 H: 51.8 T: 16.5

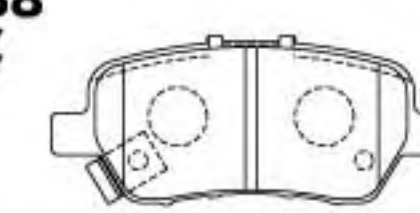


W: 141.8 H: 51.8 T: 16.5

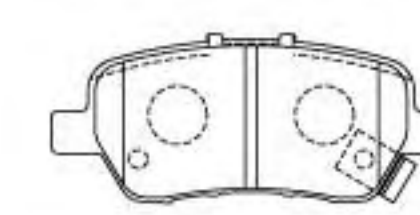


W: 141.8 H: 51.8 T: 16.5

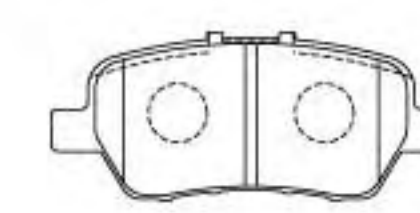
638



W: 108.9 H: 41.5 T: 14.5

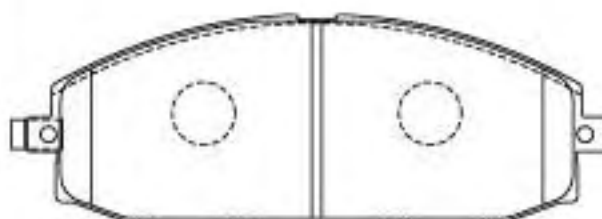


W: 108.9 H: 41.5 T: 14.5

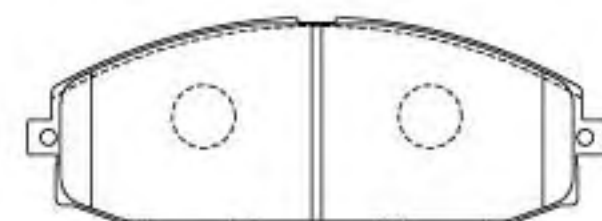


W: 108.9 H: 41.5 T: 14.5

619

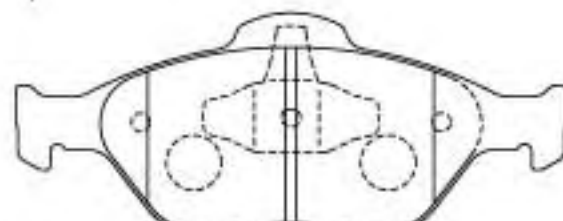


W: 166.0 H: 58.0 T: 17.0

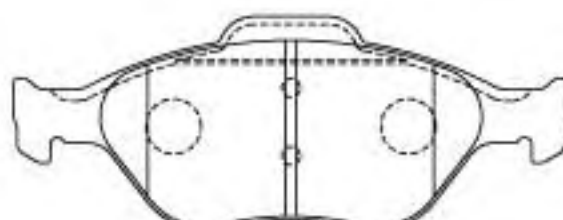


W: 166.0 H: 58.0 T: 17.0

622

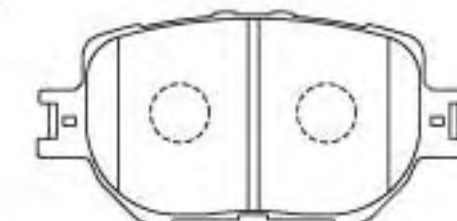


W: 150.0 H: 58.3 T: 17.5



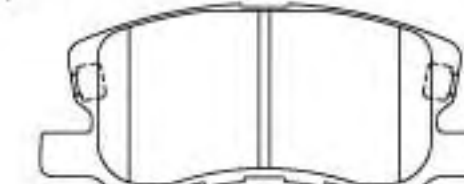
W: 151.3 H: 55.5 T: 17.5

631



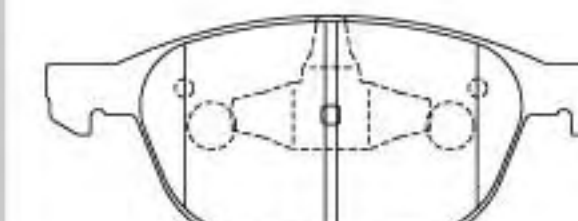
W: 117.7 H: 54.5 T: 17.0

635

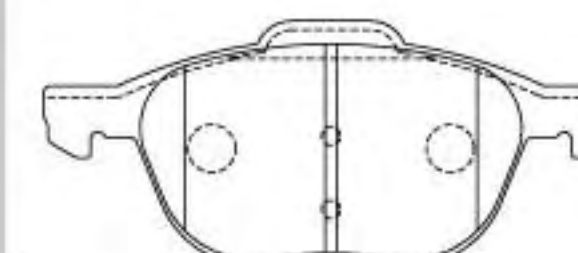


W: 122.2 H: 46.5 T: 15.0

639

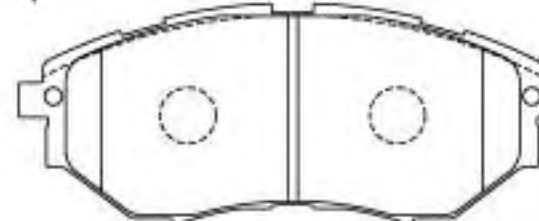


W: 155.3 H: 60.5 T: 17.0



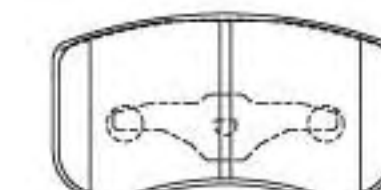
W: 156.5 H: 65.3 T: 17.0

632



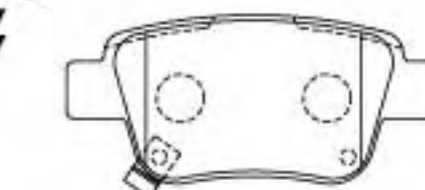
W: 157.0 H: 55.0 T: 17.0

636

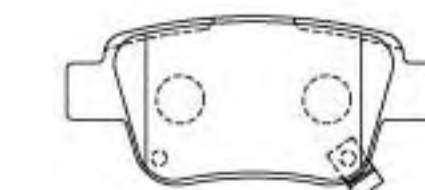


W: 94.0 H: 46.5 T: 15.0

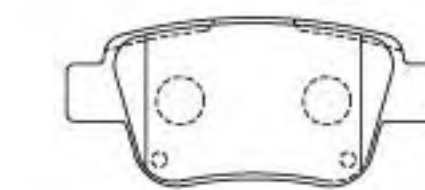
633



W: 102.0 H: 44.0 T: 15.0

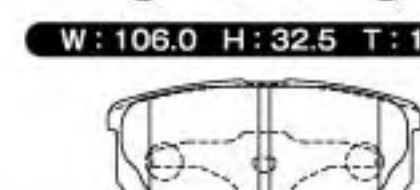


W: 102.0 H: 44.0 T: 15.0

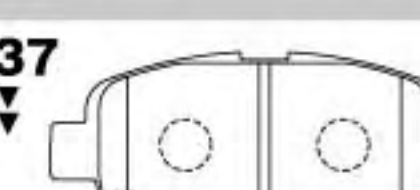


W: 102.0 H: 44.0 T: 15.0

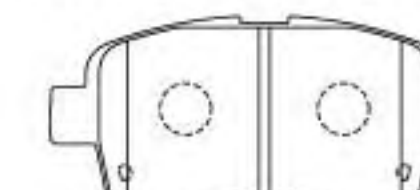
637



W: 106.0 H: 32.5 T: 15.0

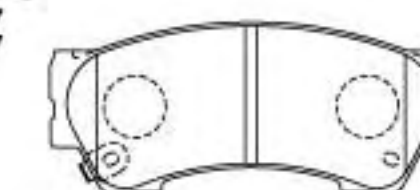


W: 85.5 H: 35.5 T: 15.5

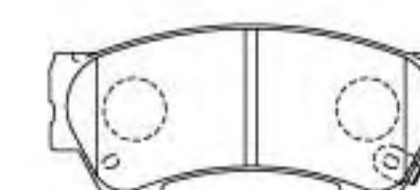


W: 116.7 H: 47.8 T: 15.0

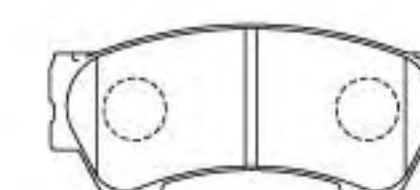
640



W: 103.8 H: 37.5 T: 13.5

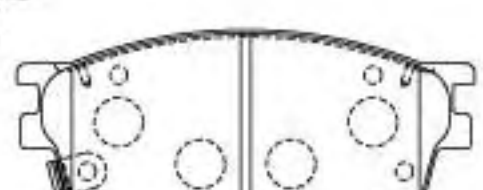


W: 103.8 H: 37.5 T: 13.5

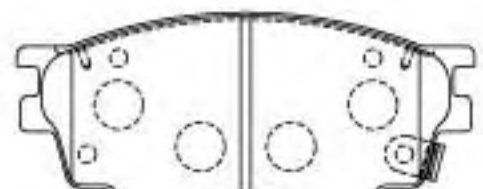


W: 103.8 H: 37.5 T: 13.5

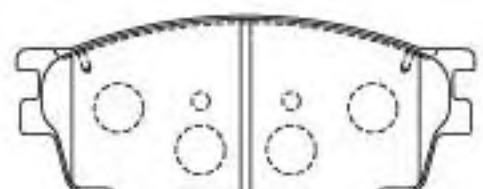
620



W: 131.5 H: 53.0 T: 15.5

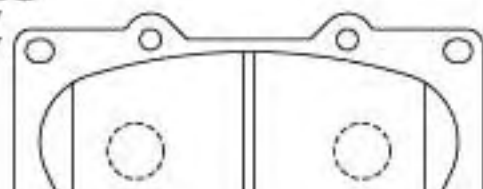


W: 131.5 H: 53.0 T: 15.5

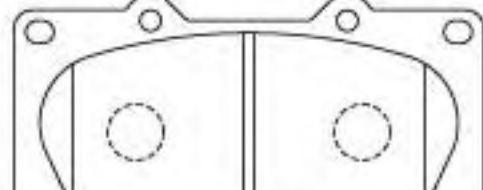


W: 131.5 H: 53.0 T: 15.5

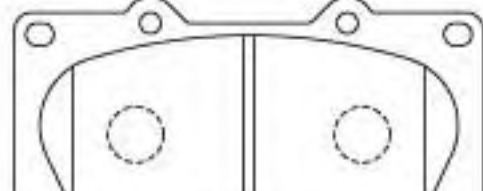
623



W: 134.6 H: 55.0 T: 16.5

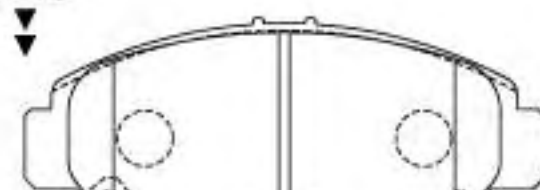


W: 134.6 H: 55.0 T: 16.5

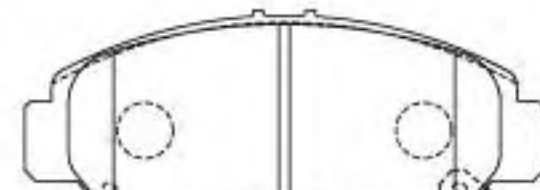


W: 134.6 H: 55.0 T: 16.5

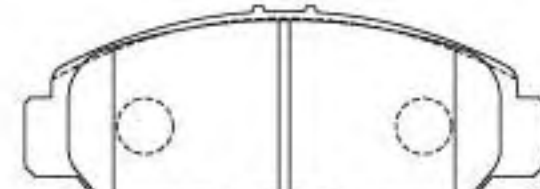
629



W: 148.8 H: 53.5 T: 17.0



W: 148.8 H: 53.5 T: 17.0



W: 148.8 H: 53.5 T: 17.0

641
▼

W: 108.5 H: 35.5 T: 13.5

648
▼

W: 141.0 H: 54.5 T: 16.5

653
▼

W: 108.6 H: 44.0 T: 14.5

W: 108.6 H: 44.0 T: 14.5

658
▼

W: 135.8 H: 62.5 T: 15.0

W: 135.8 H: 62.5 T: 15.0

W: 135.8 H: 62.5 T: 15.0

661
▼

W: 123.0 H: 54.0 T: 14.0

665
▼

W: 155.3 H: 69.3 T: 17.5

643
▼

W: 123.5 H: 45.7 T: 17.0

649
▼

W: 101.8 H: 36.5 T: 15.0

654
▼

W: 147.8 H: 54.5 T: 17.5

662
▼

W: 99.0 H: 42.0 T: 13.5

W: 99.0 H: 42.0 T: 13.5

W: 155.3 H: 69.3 T: 17.5

W: 155.3 H: 69.3 T: 17.5

644
▼

W: 123.5 H: 50.0 T: 17.0

650
▼

W: 106.0 H: 40.0 T: 13.5

W: 106.0 H: 40.0 T: 13.5

655
▼

W: 110.3 H: 34.5 T: 13.5

W: 110.3 H: 34.5 T: 13.5

659
▼

W: 116.6 H: 78.5 T: 15.5

663
▼

W: 123.2 H: 48.0 T: 15.0

666
▼

W: 110.7 H: 41.6 T: 14.0

645
▼

W: 98.6 H: 40.0 T: 14.5

W: 98.6 H: 40.0 T: 14.5

W: 98.6 H: 40.0 T: 14.5

W: 106.0 H: 40.0 T: 13.5

W: 106.0 H: 40.0 T: 13.5

656
▼

W: 108.6 H: 35.5 T: 14.5

W: 116.6 H: 66.0 T: 15.5

W: 123.2 H: 48.0 T: 15.0

667
▼

W: 138.0 H: 50.0 T: 16.0

646
▼

W: 145.5 H: 54.5 T: 15.5

651
▼

W: 111.0 H: 37.0 T: 14.5

W: 111.0 H: 37.0 T: 14.5

657
▼

W: 116.6 H: 47.0 T: 16.0

W: 116.6 H: 47.0 T: 16.0

660
▼

W: 106.8 H: 44.0 T: 15.5

W: 106.8 H: 44.0 T: 15.5

W: 106.8 H: 44.0 T: 15.5

664
▼

W: 163.7 H: 50.0 T: 15.5

W: 163.7 H: 50.0 T: 15.5

668
▼

W: 157.7 H: 52.1 T: 17.0

647
▼

W: 137.0 H: 45.5 T: 16.5

652
▼

W: 114.0 H: 48.0 T: 15.0

W: 116.6 H: 47.0 T: 16.0

669
▼

W: 130.1 H: 69.5 T: 16.0

670
▼

W: 87.0 H: 47.3 T: 15.5

676
▼

W: 139.0 H: 50.6 T: 17.0

683
▼

W: 86.7 H: 63.4 T: 13.5

671
▼

W: 118.6 H: 73.5 T: 17.0

677
▼

W: 119.8 H: 61.3 T: 14.5

684
▼

W: 116.5 H: 48.5 T: 16.5

672
▼

W: 118.6 H: 73.5 T: 17.0

678
▼

W: 139.0 H: 55.0 T: 17.0

685
▼

W: 125.7 H: 40.8 T: 14.5

672
▼

W: 146.7 H: 52.0 T: 17.0

679
▼

W: 110.7 H: 42.4 T: 16.5

685
▼

W: 125.7 H: 40.8 T: 14.5

673
▼

W: 96.9 H: 44.5 T: 15.0

680
▼

W: 133.7 H: 87.9 T: 18.0

686
▼

W: 125.7 H: 45.5 T: 16.0

675
▼

W: 154.7 H: 54.0 T: 17.0

681
▼

W: 75.1 H: 76.5 T: 18.0

686
▼

W: 125.7 H: 45.5 T: 16.0

687
▼

W: 93.5 H: 42.2 T: 14.5

687
▼

W: 93.5 H: 42.2 T: 14.5

687
▼

W: 93.5 H: 42.2 T: 14.5

688
▼

W: 95.7 H: 40.5 T: 14.0

688
▼

W: 95.7 H: 40.5 T: 14.0

692
▼

W: 142.0 H: 50.0 T: 16.5

693
▼

W: 138.7 H: 43.0 T: 13.5

693
▼

W: 138.7 H: 43.0 T: 13.5

695
▼

W: 127.2 H: 57.2 T: 15.5

695
▼

W: 127.2 H: 57.2 T: 15.5

696
▼

W: 99.8 H: 43.7 T: 13.5

696
▼

W: 99.8 H: 43.7 T: 13.5

697
▼

W: 143.8 H: 56.0 T: 17.5

697
▼

W: 143.8 H: 56.0 T: 17.5

697
▼

W: 143.8 H: 56.0 T: 17.5

698
▼

W: 116.0 H: 42.5 T: 17.0

699
▼

W: 116.6 H: 47.0 T: 16.0

699
▼

W: 116.6 H: 47.0 T: 16.0

Name Search car from number

ITEM	Pos.	Maker	Car Model
001	F	Nissan	Sunny,Violet
002	F	Nissan	Fairlady
003	F	Mazda, Other	Familia,Gemini,Galant GTO
004	F	Nissan, Other	Pulsar,Charmant
005	F	Isuzu	117 Coupe,Bellett
008	F	Nissan	Skyline
009	F	Nissan	Sunny
011	F/R	Nissan	Pulsar,Bluebird,Skyline,Fairlady Z
013	F	Isuzu	117 Coupe
015	F	Mazda	RX-7
017	F	Mitsubishi	Lancer Fiore
018	F	Toyota	Starlet
021	F	Toyota	Corolla,Sprinter
025	R	Subaru	Leone
026	F	Honda	Honda 1300
028	F	Nissan	Bluebird,Silvia,Laurel,Skyline Fairlady Z,Datsun Track,Terrano
029	F	Nissan	Sunny,Bluebird,Silvia,Skyline
031	F	Mazda	Familia
033	R	Mitsubishi	Lancer,Galant Sigma,Starion
034	F	Nissan	Skyline,Vannete
035	F	Toyota	Hilux
036	F	Toyota	Starlet,Tercel,Corsa,Corolla,Sprinter
037	F	Toyota	Crown
039	F	Toyota	Starlet
040	F	Toyota	Celica
042	R	Nissan	Silvia,Laurel,Skyline,Fairlady Z
043	F	Mitsubishi	Lancer Fiore
044	F	Toyota, Other	Corolla,Sprinter,Celica,Charmant
045	F	Mitsubishi	Lancer,Galant Sigma
046	R	Mitsubishi	Lancer,Galant Sigma
048	F	Nissan	Cedric,Gloria
049	F	Nissan	Bluebird,Prarie,Laurel,Skyline
050	F	Toyota, Other	Corolla,Sprinter,Levin,Trueno,Charmant
051	R	Toyota	Corolla,Sprinter,Celica
052	F	Mazda	Familia,Laser
054	F	Honda	Civic Shuttle
055	F	Toyota, Other	Celica,Galant Sigma,Delica
056	F	Nissan	Auster,Bluebird,Silvia,Laurel,Skyline
057	F	Toyota	Corona,Carina,Mark II,Celica,Soarer
058	F	Toyota	Corona,Carina
059	F	Toyota	Hilux,Prado,Land Cruiser
061	F	Suzuki	Fronte,Cervo,Alto
062	F	Nissan	Safari
063	R	Mazda	RX-7
064	R	Nissan	Silvia,Laurel,Skyline,Fairlady Z
066	F	Nissan	Fairlady Z,Caravan
067	F	Toyota	Levin,Trueno,Corona,Carina,Celica
068	F	Mitsubishi	Delica
069	F	Mazda	Cosmo
071	F	Nissan, Other	Pulsar,S-cargo,Sunny,Prarie Rex Combi,Justy,Domingo
074	F	Honda	City,Civic,CR-X,Integra
075	F	Mitsubishi	Mirage,Lancer,Chariot
076	F	Toyota	Starlet,Corolla II,Tercel,Corsa,Corolla Sprinter,Sera,Cynos,Levin,Trueno,Raum Spacio,Corona,Carina,MR2,Celica
078	F	Nissan	Fairlady Z,Caravan
079	R	Toyota	Corona,Carina,Mark II,Celica,Soarer
080	F	Nissan	March
081	F	Honda	City
082	F	Mitsubishi	Lance,Galant Sigma,Starion
083	F	Mitsubishi	Mirage,Lancer,Chariot,Galant

ITEM	Pos.	Maker	Car Model
085	F	Toyota	Townace,Liteace,Masterace
087	F	Nissan	Auster,Bluebird,Prarie,Silvia Laurel,Skyline,Leopard,Datsun Track Terrano,Caravan
089	F	Toyota	Century,Hylux,Hiace
090	F	Toyota	Blizzard
091	F	Honda	Today,Life,Acty
092	R	Honda	Prelude
094	F	Suzuki, Other	AZ Offroad,Jimny
095	F	Mitsubishi	Minica
096	F	Nissan	Safari
097	R	Toyota	Levin,Trueno
099	F	Daihatsu	Move,Mira,Opti
100	R	Mitsubishi	Mirage,Lance,Galant,Eclipse
107	F	Mazda	Cosmo
108	R	Mazda	Cosmo
109	F	Isuzu	117 Coupe
110	F	Subaru	Leone
112	F	Toyota	Carina,Celica
113	R	Isuzu	117 Coupe
116	F	Mazda	Bongo
117	F	Mazda	RX-7
118	R	Mazda	Familia,RX-7,Atenza,Capella,Premacy Clef,Cronos,MS-6,Laser,Telster Ixsion
119	R	Toyota	Mark II,Chase,Cresta,Crown,Century
122	F	Nissan	Auster,Bluebird,Prarie,Skyline Largo
123	F	Nissan	Auster,Bluebird,Prarie,Skyline Fairlady Z,Leopard,Cedric,Gloria Datsun Track,Terrano,Largo
124	R	Nissan	Silvia,Laurel,Fairlady Z,Leopard
125	F	Nissan	Pulsar,Sunny
126	R	Subaru	Leone
127	F	VW	GOLF,JETTA,VENTO,SCIROCCO
128	F	VW	GOLF,JETTA,SCIROCCO
129	R	Toyota	MR2,MR-S
130	R	Subaru	Leone,Alcyone
131	R	Mitsubishi	Pajero
132	F	Toyota	Starlet
133	R	Toyota	Corolla,Sprinter,Levin,Trueno
134	R	Suzuki	Cultus
135	F	Mazda	Familia,Laser
136	R	Mazda, Other	Familia,AZ-3,Laser,Pyzar Mira,Charade
137	F	Subaru	Leone,Alcyone
138	R	Honda	Beat,Civic,CR-X,Integra,Prelude Vigor
139	F	Toyota	Townace,Liteace,Masterace
140	F	Nissan	Sunny
142	R	Nissan	Auster,Bluebird,Primera,Prarie Skyline
143	R	Nissan	Cefiro,Laurel,Leopard,Skyline Cedric,Gloria,Cima
144	F	Nissan	Caravan
145	F	Nissan	Caravan
146	R	Nissan	Pulsar,Sunny
147	F	Honda	Fit,Civic,Logo
148	F	Honda	Accord,Vigor
149	F	Honda	Integra,Accord,Vigor
151	F	Suzuki	Fronte,Alto
152	F	Nissan	March
155	F	Nissan	Crew,Cedric,Gloria,Cima,Mistral Datsun Track,Terrano,Caravan
156	F	Mitsubishi	Pajero,Delica

ITEM	Pos.	Maker	Car Model
157	F	Isuzu	Gemini
158	F	Mazda	Proceed Marvie
159	F	Mazda	RX-7
160	F	Mazda	Familia,Laser
161	F	Honda	Prelude
164	F	Nissan, Other	March,Pulsar,Cultus
165	R	Nissan	Pulsar,Sunny
166	F	Nissan	Vanette
167	F	Nissan	Largo
168	R	Toyota, Other	Corona,Carina,Caldina,Carina ED,Celica Harrier,Exiv,Curren,Charade
169	F	Toyota	Liteace
170	F	Toyota	Townace,Masterace
174	F	Nissan	Safari
175	F	Toyota	Supla,Soarer
176	R	Toyota	Supla,Soarer,Crown,Century
177	F	Honda	Prelude,Legend
178	R	Honda	Legend
179	F	Suzuki	Cappuccino,Cultus
180	F	Mitsubishi	Mirage,Lancer,Chariot,Galant
181	F	Toyota	Hi-ace
182	F	Nissan	Auster
183	F	Mitsubishi	Pajero,Delica Starwagon
184	F	Toyota	Hiace
187	F	Toyota, Other	Mark II,Chaser,Cresta,Luce
188	R	Mazda	Luce
189	F	Toyota	Corona,Carina,Celica
190	F	Mazda	Bongo
191	F	Subaru	Rex
192	F	Honda	Today,Life,Beat,Acty,City
193	F	Honda	Civic,CR-X
194	F	Nissan	Fairlady Z
195	R	Toyota	Starlet,Corolla II,Tercel,Corsa,Sera,Cynos
197	F	Honda	Civic
198	R	Daihatsu	Charade
199	F	Daihatsu	Charade,Applause
200	F	Daihatsu	Charade
201	F	Daihatsu	Charade
202	F	Mitsubishi	Galant Sigma
203	R	Mitsubishi	RVR,Chariot,Galant,Legnum,Diamante Eclipse
204	F	Isuzu	Gemini,Piazza
205	F	Nissan	Sunny Track
207	F	Mazda	Familia
208	F	Ford	Festiva
209	F	Honda	Civic,CR-X,Integra,Prelude
210	R	Honda	Civic,CR-X delsol,Integra,Prelude
212	F	Toyota	Crown
213	F	Honda	Civic,CR-X,Integra,Prelude,Legend
215	F	Nissan	Avenir,Bluebird,Primera,Largo
216	F	Daihatsu	Move,Mira,Opti,Leaza
217	F	Toyota	Celica
218	F	Nissan	Avenir,Bluebird,Primera,Prarie Silvia,Cefiro,Skyline
219	F	Nissan	Sunny,Wingroad,Avenir,Bluebird Primera,Tino,Silvia,Cefiro,Laurel Stagea,Skyline,Fairlady Z
220	F	Nissan	Silvia,Skyline,Fairlady Z
221	R	Nissan	Skyline,Fairlady Z
222	F	Mazda, Other	Carol,AZ Wagon,Wagon R,Alto,Cervo Mode
223	R	Mitsubishi	Mirage,Lancer
224	F	Toyota	Exiv,Celica,Windom,Altezza,Mark II Verossa,Progres,Soarer,Crown,Aristo Celsior,Century
225	R	Toyota	Celsior

ITEM	Pos.	Maker	Car Model
226	F	Subaru	Impreza,Legacy
227	R	Nissan	Silvia,Fairlady Z
228	R	Nissan	Skyline
229	F/R	Nissan	Pulsar,Sunny,Presea,Silvia,Cefiro Skyline,Safari
230	R	Nissan	Terrano
231	F	Honda	Accord,Vigor
232	F	Toyota	Corona,Carina,Celica
233	F	Mazda	Roadster
234	R	Mazda, Other	Familia,Roadster,Presso,AZ-3 Cultus Crecent,Applause
235	R	Nissan	Safari
236	F	Subaru	Impreza,Legacy
237	R	Subaru	Impreza,SVX,Legacy
238	F	Mazda	Revue,Demio,Festiva Miniwagon,Laser
239	F	Mazda	Familia,Presso,AZ-3,Lantis,Laser
240	F	Suzuki	Cultus
241	F	Toyota	Hilux,Prado
242	F	Daihatsu	Charade
243	F	Mitsubishi	Minica
244	F	Toyota	MR2
245	F	Toyota	Starlet
246	F	Mitsubishi	Mirage,Lancer,Chariot,Galant,FTO Legnum,Eclipse,Challenger,Pajero Airtrek,Delica
247	F	Subaru	Impreza,Legacy
248	R	Honda	Legend
249	F	Nissan	Pulsar,Sunny,AD Wagon/Van,Familia Van
250	F	Nissan	Sunny,AD Wagon/Van,Familia Van
251	R	Nissan	Pulsar,Lucino,Rasheen,Sunny
252	F	Toyota	Land Cruiser
253	R	Toyota	Hilux,Prado,Land Cruiser
254	F	Nissan	Pulsar,Lucino,Rasheen,Sunny
255	R	Nissan	Pulsar,Lucino,Rasheen,Sunny,Wingroad Avenir,Primera,Tino
256	R	Nissan	Cefiro,Laurel,Stagea,Skyline Leopard,Cedric,Gloria
257	R	Mitsubishi	Pajero,Delica Starwagon
259	F	Honda	Mobilio,Civic,Stream,Integra
260	F	Honda	Fit,Civic,Logo,Capa,CR-X delsol Integra
261	F	Honda	Civic,Integra,CR-V,HR-V,S-MX StepWGN,Prelude,Vigor,Avancier Odyssey,Legend
262	R	Honda	NSX
263	F	Mitsubishi	GTO
264	R	Mitsubishi	Lancer,Chariot Grandis,Galant,Legnum Diamante,Praudia,Dignity
265	F	Toyota	Corolla,Sprinter,Levin,Trueno,Caldina MR2
266	F	Toyota	Soarer,Aristo
268	F	Mazda	RX-7
269	F	Subaru	Vivio
270	F	Nissan	Avenir,Renessa,Liverty,Stagea Leopard,Cedric,Gloria,Cima Infinity Q45
271	R	Nissan	Stagea,Leopard,Cedric,Gloria,Cima Infinity Q45
272	F	Toyota	Century,Hilux,Hiace
273	R	Honda	Civic,Prelude,S2000 Legend
274	F	Toyota	Prado
275	F	Toyota	Camry,Vista
276	R	Toyota	Lucida,Emina,Estima
277	F	Toyota	Lucida,Emina,Estima

ITEM	Pos.	Maker	Car Model
278	R	Honda	Stream,StepWGN,Vigor,Avancier Odyssey,Legend
279	F	Toyota	Purius,Corona,Carina,Ipsum,Gaia Caldina,Celica,Crown
280	R	Toyota	Celsior,Century
281	R	Toyota	Mark II,Supla,Soarer,Crown,Aristo Celsior,Hiace Regius
282	F	Toyota	Altezza,Mark II,Verossa Supla,Soarer,Crown,Aristo,Celsior
283	F	Toyota	Celsior
284	R	Toyota	Mark II,Chaser,Cresta,Crown
285	F	Nissan	Bluebird,Prarie,Largo
286	F	Nissan	Avenir,Bluebird,Laurel,Stagea Skyline
287	F	Nissan	Safari
288	R	Nissan, Other	March,Pleo
289	F	Mazda, Other	AZ-1,Cara
290	R	Mazda	Eunos300,Capella,Persona,Telster
291	F	Mazda	Sentia,MS-9
292	R	Mazda	Sentia,MS-9,Cosmo,MPV,Bongo Friendee Freda
293	F	Mazda	Familia,Lantis,Laser,Cosmo
294	R	Mazda	Clef,MS-8,MX-6,Cronos,MS-6 Eunos500,Probe
295	F	Mazda	Familia,Capella,Plemacy,Clef,MS-8 MX-6,Cronos,MS-6,Eunos500,Laser Telstar,Probe,Ixion
296	F	Mazda	Eunos300,Capella,Persona,Telster
297	R	Isuzu	Gemini,Piazza
298	F	Isuzu	Gemini,Piazza
299	F	Honda	Prelude,Vigor
301	R	Mitsubishi	GTO
302	F	Mitsubishi	GTO
303	R	Mitsubishi	Mirage,Lancer,FTO
304	F	Mitsubishi	Mirage,Lancer
305	F	Mitsubishi	Mirage,Lancer,Galant
306	F	Subaru	SVX
307	F	Suzuki, Other	Proceed Levante,Escudo
308	F	Suzuki	X-90,Escudo
309	F	Mitsubishi	Mirage,Dingo,Lancer,Dion,Chariot Galant,FTO,Legnum,Diamante,Eclipse
310	R	Mitsubishi	Mirage,Lancer,Galant,Eclipse
311	R	Suzuki	Cappuccino,Alto,Cervo Mode
312	F	Toyota	Celica,Supla
313	R	Toyota	Celica,Supla
314	F	Honda	Horizon,Jazz,Mu,Wizard,Bighorn Vehicross
315	R	Honda	Horizon,Jazz,Mu,Wizard,Bighorn Vehicross
316	F	Suzuki, Other	Carol,AZ Wagon,AZ-1,Wagon R,Alto Cervo Mode,Cara
317	F	Mazda	Roadster
318	R	Mazda	Familia,Roadster,Lantis,Laser
319	F	Daihatsu	Move,Mira
320	F	Honda	Integra,Orthia
321	F	Mazda	Eunos800,Millenia,Proceed Marvie
322	R	Mazda	Eunos800,Millenia
323	F	Toyota	Hilux Surf
324	F	Toyota	Townace,Liteace
325	F	Toyota	Townace,Liteace
326	F	VW,Audi	GOLF, VENTO, PASSAT, SHARAN, A3
327	F	Toyota	Lucida,Emina,Estima
328	F	Nissan	Pulsar,Lucino,Rasheen,Sunny Familia Wagon
329	F	Nissan	Stagea,Skyline,Fairlady Z

ITEM	Pos.	Maker	Car Model
330	R	Nissan, Other	Stagea,Skyline,Fairlady Z Impreza,Lancer
334	F	VW	GOLF,JETTA,VENTO,SCIROCCO CORRARD,PASSAT,POLO
335	R	VW,Audi	GOLF,JETTA,VENTO,SCIROCCO CORRARD,PASSAT,SHARAN,A3,A4,A6
336	F	Rover	Mini 12inch.
337	F	Rover	Mini 10inch.
338	F	Honda	Accord
339	F	Suzuki, Other	Carol,Alto,Cervo Mode,Fronte
340	F	Nissan	Silvia,Skyline
341	F	Nissan	Laurel,Skyline
342	R	Nissan	Pulsar,Lucino,Sunny
343	F	Toyota	Exiv,Curren,Carina ED,Celica
344	F	Toyota	Celsior,Century
345	F	Mitsubishi	Delica Spacegear
346	F	Mitsubishi	Pajero Mini,Pajero Jr.
347	F	Suzuki, Other	Carol,AZ Wagon,Wagon R,Alto,Cervo Mode
348	F	Suzuki, Other	Proceed Levante,Escudo,Grand Escudo
349	F	Subaru	Forester,Impreza,Legacy
351	F	Subaru	Forester,Impreza,Legacy
352	F	Toyota	Cavariet
353	R	Toyota	Mark II,Chaser,Cresta
354	F	Toyota	Hiace Regius,Granvia
355	F	Nissan	Largo
356	F	Toyota	Hilux Surf,Prado
357	F	Honda	Civic,CR-V
358	F	Suzuki	Cultus Crecent
359	F	Nissan	Renessa,Presage,Cima,X-Trail Terrano,Serena,Elgrand
362	F	Toyota	Camry,Vista
363	F	Mazda, Other	MPV,Bongo Friendee,Freeda,Delica
364	R	Mitsubishi	Libero
365	R	Subaru	Impreza
366	F	Honda	Today,Life,Vamos,Thats,Acty
368	F	Mitsubishi	Mirage,Lancer
369	F	Toyota	Lucida,Emina,Townace Noah,Estima
370	F	Subaru, Other	Impreza,Lancer
375	R	Toyota	Altezza,Mark II,Verossa,Progres Crown,Aristo
376	F	Toyota,Other	Nadia,Gaia,Windom,Harrier,Charade
377	F	Subaru	Samber,Domingo
378	R	Subaru	Forester,Impreza,Legacy
379	F	VW	POLO
380	F	Audi	80,90,100,200T,COUPE,CABRIOLET
381	F	Audi	A3
382	F	BMW	Z-1
383	R	BMW	Z-1,5Series,M3
384	F	BMW	Z-3,3Series
385	R	BMW	Z-3,3Series
386	F	BMW	5Series,M3
387	F	Suzuki, Other	Carol,Laputa,AZ Wagon,Splano,Moco Wagon R,Kei,Lapin,MR Wagon,Alto,Carry
388	F	Daihatsu, Other	Move,Mira,Opti,Max,Naked,Minica Minica Toppo,Town Box,ek Wagon
389	F	Honda	Z
390	F	Subaru	Pleo
391	F	Toyota	Duet,Move,Mira,Opti,Max Naked,Storia,YRV
393	F	Daihatsu	Pyzar,Charade
394	F	Toyota,Other	Cami,Terios Kid,Terios
395	F	Daihatsu	Mira,Hijet,Atrai
396	F	Mitsubishi	Pajero Mini,Pajero io
397	F	Mitsubishi	RVR,Chariot Grandis
398	F	Suzuki	Wagon R Solio

ITEM	Pos.	Maker	Car Model
399	F	Nissan	March
400	F	Toyota	Vitz,Platz
401	F	Toyota	Townace,Liteace
402	F	Toyota	Prado,Land Cruiser
403	R	Toyota	Land Cruiser
404	F	Nissan	Laurel,Stagea,Cedric,Gloria,Cima
409	F	Toyota	Hilux,Hiace,Hiace Regius
410	F	Honda	Civic,S2000,Accord
411	F	Isuzu	Mu,Wizard,Bighorn
412	R	Isuzu	Mu,Wizard,Bighorn
413	F	Nissan	Safari
414	F	Nissan	March,Cube,Wingroad,Bluebird Familia Van
415	F	Nissan	Cube
421	F	Alfa Romeo	145,146,156,GTV
422	F	Alfa Romeo	155,164
423	R	Alfa Romeo	155
424	F	Alfa Romeo	145,146,155,Spider
425	R	Alfa Romeo	164,Spider,GTV
426	F	Toyota	Will VS,Runx,Alex,Premio,Allion Caldina,Celica,Opa
427	F	Toyota	Vitz,Funcargo,Will Vi,bb,Ist Probox,Suceed,Will Cypha,Will VS Corrolla,Sprinter,Runx,Alex Spacio,Prius,Premio,Allion,MR-S Celica,Opa
430	F	VW,Audi	GOLF,VENTO,CORRARD,PASSAT
431	F	Mazda	Familia,Laser
432	F	Mazda	Familia,Capella Wagon,Laser,Telster
433	F	Mazda	MPV
434	F	Mitsubishi	Proudia,Dignity,Pajero
435	R	Mitsubishi	Pajero,Delica
437	F	Toyota	Mark II,Chaser,Cresta,Crown
438	R	Toyota, Other	Caldina,Opa,Windom,Mark II,Charade
439	R	Toyota	RAV4
440	F	Toyota	Altezza,Mark II,Verossa,Progres,Crown
441	F	Toyota	Estima
442	R	Toyota	Ipusm,Estima,Alphard
443	F	Isuzu	Mu,Wizard
444	R	Isuzu	Mu,Wizard
445	F	Honda	Accord,Vigor,Avancier,Odyssey,Legend
448	F	Toyota	Blizzard
450	F	Toyota, Other	Sparkey,Hijet,Atrai,Atrai7
451	F	Daihatsu	Charade
452	F	Daihatsu	Hijet,Atrai
461	F	Nissan	Caravan
473	F	Nissan	Safari
484	F	Nissan	Avenir
486	F	Nissan	AD Van,Presea
487	F	Nissan	Safari
496	F	Nissan	Rasheen
499	F	Toyota	Blizzard
502	F	Toyota	Liteace
503	F	Toyota	Townace,Masterace
504	F	Toyota	Quick Delivery
512	F	Toyota	Mega Cruiser
513	F	Toyota	Mega Cruiser
521	F	Mazda, Other	Bongo Van,Delica
522	F	Mazda	Capella Wagon
531	R	Suzuki	Alto
538	F	Mitsubishi	Minicab
547	F	Mitsubishi	Minicab
548	R	Mitsubishi	Challenger
549	F	Mitsubishi	Carisma
552	F	Mitsubishi	Minica,Minicab,Townbox

ITEM	Pos.	Maker	Car Model
555	F	Subaru	Samber
556	F	Subaru	Samber
557	F	Suzuki, Other	Scrum,Carry,Every
558	F	Suzuki, Other	Scrum,Carry,Every
559	F	Suzuki, Other	Duet,Chevrolet Cruze,Swift,Copen Storia,YRV
562	F	Mazda	Roadster
563	R	Mazda	Familia
565	F	Toyota	RAV4
566	R	Toyota	Vitz,Will VS,Corolla,Sprinter,Runx Alex,Celica
567	F	Toyota	Quick Delivery
571	R	Nissan	Sunny,Wingroad,Avenir,Bluebird Primera,Tino
572	R	Mazda	Roadster
574	F	Mazda	Bongo Brawny Track
575	F	Mazda	Tribute,Escape
577	F	Honda	Life,That's
578	F	Honda	Stream
580	F	Subaru	Forester,Impreza,Legacy
583	F	Mitsubishi	Dingo,Lancer Cedia
584	F	Mitsubishi	Lancer Cedia Wagon,Dion Chariot Grandis, Galant,Legnum Diamante,Airtrek
585	F	Nissan	Primera,Cefiro,Stagea,Skyline
587	R	Nissan	Primera,Stagea,Skyline Fairlady Z,X-Trail,Elgrand
590	F	Honda	Integra,Civic
592	F	Toyota	Ipsum,Noah,Voxy
593	F	Toyota	Kluger V
594	R	Toyota, Other	Caldina,Camry,Vista,Windom Kluger V,Charade
600	F	Toyota	Celsior
601	R	Toyota	Celsior
602	F	Mazda	RX-8
610	F	Nissan	Elgrand
611	F	Nissan	March,Cube
612	F	Nissan	Caravan
613	F	Toyota	Alphard,Estima,Caldina
614	F	Honda	CR-V
618	F	Daihatsu, Other	Move,Boon,Mira,Passo
619	F	Nissan	Safari
620	F	Mazda	Atenza
621	F	Mazda	Atenza
622	F	Mazda	Demio
623	F	Toyota	Hilux Surf,Prado
624	F	Toyota	Wish,Camry,Crown,Majesta,Mark X
625	R	Toyota	Crown,Majesta,Mark X
628	F	Toyota	Harrier
629	F	Honda	Accord,Odyssey
630	F	Toyota	Avensis,Avensis Wagon
631	F	Toyota	Crown
632	F	Subaru	Legacy
633	R	Toyota	Avensis,Avensis Wagon,Estima
634	F	Honda	Element,CR-V
635	F	Mitsubishi	Colt,Colt Plus
636	R	Mitsubishi	Airtrek,Lancer Cedia
637	F	Suzuki	Aerio
638	R	Honda	Odyssey,Elysion,Cross Road StepWGN,Stream
639	F	Mazda	Axela
640	F	Honda	Life,Zest
641	R	Subaru	Forester,Legacy
643	F	Toyota	Vitz,Belta
644	F	Toyota	Vitz,Belta,Ractis

Racing Caliper ▶▶▶

brembo/alcon			
WM No.	Maker (Brake Caliper)	Price (Difference)	
WMR031	brembo 4pot	5250円up	
WMR032	brembo 2pot	5250円up	
WMR033	brembo 8pot (Need a car with two set)	5250円up	
WMR035	brembo F40/50 4pot	5250円up	
WMR037	alcon/brembo 4pot	5250円up	
WMR051	brembo Lotus 4pot	5250円up	
WMR068	brembo Rally Gravel Front	10,500円up	
WMR069	brembo Rally Rear	10,500円up	
WMR070	brembo Rally Tarmac Front	10,500円up	
WMR071	brembo 8pot (Need a car with two set)	5250円up	
WMR075	brembo 8pot (Need a car with two set)	5250円up	
	brembo 4pot	5250円up	
ap racing			
WM No.	Maker (Brake Caliper)	Price (Difference)	
WMR009	ap cp2577	5250円up	
WMR012	ap 4pot cp2279/3395/3788/3789/3799	5250円up	
WMR018	ap 6pot cp5555/3558/4595	5250円up	
WMR019	ap 6pot cp3554	5250円up	
WMR019B	ap 6pot cp3894	5250円up	
WMR040	ap F4	5250円up	
WMR045	ap cp3344/3345/4152/4567/5100	5250円up	
WMR062	ap cp7040	5250円up	
WMR063	ap cp7600	5250円up	
WMR072	ap 8pot cp4848/cp5148 (Need a car with two set)	5250円up	
WMR073	ap cp2340	5250円up	
WMR074	ap cp6600	5250円up	
WIL WOOD			
WM No.	Maker (Brake Caliper)	Price (Difference)	
WMF020	LC-GT/SL-GT	5250円up	
WMF041	Dynalite b/ bolt	5250円up	
	7816	5250円up	
	WILWOOD OUTLAW 4pot	5250円up	
	7320	5250円up	
	2pot	5250円up	
ENDLESS			
WM No.	Maker (Brake Caliper)	Price (Difference)	
WMR057	RACING4/4POT CALIPER/6POT COMPACT MINI	5250円up	
WMR064	RACING6/6POT CALIPER	5250円up	
	MICRO6	5250円up	
MUGEN			
WM No.	Maker (Brake Caliper)	Price (Difference)	
WMF067	4pot caliper	5250円up	

* All products available in each series (production orders) will be.
 * The price is the standard price plus a price above the price of each series products.
 * Mounting products and Original "shaped back plate", "shape of friction", "shaped slit" may differ. Please note.

<p>WMF020 WILWOOD7320</p> <p>W: 133.0 H: 72.8 T: 20.0</p>	<p>WMR045 AP Racing CP3345D44</p> <p>W: 113.5 H: 52.0 T: 16.0</p>	<p>WMR070 brembo</p> <p>W: 139.8 H: 70.1 T: 17.5</p>
<p>WMR001 AP Racing CP2340D51</p> <p>W: 113.5 H: 52.0 T: 16.5</p>	<p>WMR051 brembo Lotus 4POT</p> <p>W: 109.8 H: 69.2 T: 15.0</p>	
<p>WMR012 AP Racing 4POT</p> <p>W: 132.3 H: 53 T: 16.0/20.0</p>	<p>WMR062 AP Racing CP7040D61</p> <p>W: 149.0 H: 85.7 T: 16.5</p>	
<p>WMR018 AP Racing 6POT</p> <p>W: 108.25 H: 37.5 T: 14.0</p>	<p>WMR063 AP Racing CP7600</p> <p>W: 113.5 H: 58.5 T: 16.0</p>	
<p>WMR035 brembo F40/F50</p> <p>W: 131.5 H: 67.0 T: 18.0</p>	<p>WMR068 brembo</p> <p>W: 139.8 H: 61.3 T: 17.5</p>	
<p>WMR037 alcon/brembo</p> <p>W: 131.8 H: 62.0 T: 16.0/20.0</p>	<p>WMR069 brembo</p> <p>W: 99.8 H: 46.5 T: 20.0</p>	

Please read before use.

Please explain the content to the customer before beginning work and give this to the customer after the parts have been installed.

All Precautions and [Notes] written herein are important safety points and must be complied with. We assume no liability for damage or accidents that occur as a result of user's disregard for the precautions and notes contained herein.

Inspection

- The thickness of the friction surfaces must be inspected regularly. (Friction material on brake pads must be replaced with new ones when it becomes minimum of 4mm or less and on brake shoes when its thickness becomes minimum of 1mm or less.)

Safety Tips



Warning

Disregard of the precautions while handling and installing these products may lead to accidents resulting in severe injury or death.



Notes

Disregard of the notes while handling and installing these products may result in physical injury or damage to the product and public property, etc.

Installation Notes



Warning

- Brakes are essential for safety. When installed incorrectly, they will not function properly, which may lead to accidents that result in serious injury or death. Please read these instructions thoroughly before installation and keep them handy for easy future reference.
- We assume no liability claims arising from incorrect handling or installation, deterioration or damage from aging, or damage caused by installation on improperly modified vehicles.



Notes

- These are brake pads and brake shoes specifically designed for 4-wheel vehicles. Do not install on vehicles that the products are not specifically designate for use on.
- Suitability of the products for use will depend on vehicle model and brake specifications. Consult with staff at the place of purchase and select the product designated for your vehicle model and brake specifications.
- Brake pads and brake shoes should be replaced by approved specialists. When installed or replaced by unapproved individuals, have your vehicle undergo a disassembled maintenance inspection performed at the District Land Transport Bureau.
- Avoid burns when replacing brake pads and brake shoes. Be sure that the brake is cooled before starting replacement work. Avoid (inhaling) or direct contact with ground particles generated by the brake pads and shoes. Sufficient care is required to prevent cuts and scratches from fiber (fibrous composition) on the pads and shoes.
- When brake pads and brake shoes are dropped or exposed to impact, damage may occur that prevents proper brake performance.